

Charles Replacement Door Kit

97-MP1412FLPUDK

General Description and Installation

1. GENERAL INTRODUCTION	1
1.1. Document Purpose	1
1.2. Product Purpose	1
2. INSTALLATION	2
2.1. Inspecting the Product	2
2.2. Following and Using Safety Precautions	2
2.3. Obtaining Tools and Equipment	2
2.4. Mounting the Kit	2
3. TECHNICAL ASSISTANCE AND REPAIR SERVICE	3
4. WARRANTY & CUSTOMER SERVICE	3
5. SPECIFICATIONS	3

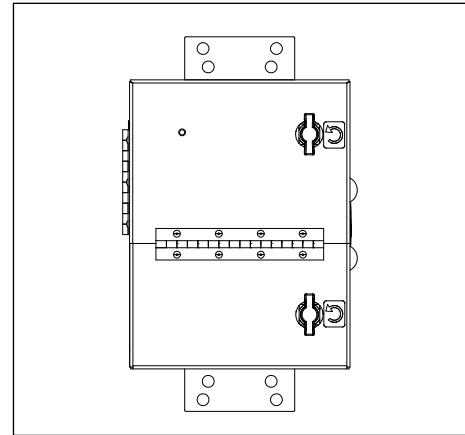


Figure 1 Kit Door

1. GENERAL INTRODUCTION

1.1. Document Purpose

This document provides general information for the 97-MP1412FLPUDK replacement door kit. Figure 1 shows the door. Mounting hardware is not shown.

-NOTE-

Hereafter, the Charles Universal Broadband Enclosure CUBE-MP1412-PHD will be referred to as the "CUBE." The 97-MP1412FLPUDK door kit shall be referred to as the "kit."

1.2. Product Purpose

The kit is a replacement front door for the CUBE. The new door has a hinged door panel to access the interior of the CUBE.

2. INSTALLATION

2.1. Inspecting the Product

The kit is shipped in a carton. Unpack the unit and dispose of the packaging material.

-INSPECTION NOTE-

Visually inspect the unit for damages prior to installation. If the equipment was damaged in transit, immediately report the extent of the damage to the transportation company.

2.2. Following and Using Safety Precautions

Read the following site and safety tips, cautions, and warnings, then proceed with the paragraphs that follow.

- Read all instructions, warnings and cautions on the equipment and in the documentation shipped with the product.
- Do not place this product on weak or unstable surfaces which may allow the product to fall, resulting in potentially serious damage(s) to persons or product.
- Only authorized trained personnel shall install the kit.

2.3. Obtaining Tools and Equipment

Obtain the following recommended or needed items for installing the kit.

- Protective and/or insulated work gloves
- Safety glasses
- Hex screwdriver
- Torque wrench

2.4. Mounting the Kit

2.4.1. Torque Requirements

Torque all hardware as shown below (unless otherwise noted). These values apply to SAE Grade 1 & 2 Low Carbon Steel, ASTM A307 Low Carbon Steel, and Stainless Steel Grade 18-8.

Thread Size	In-lbs	Ft-lbs
4-40	4±10%	
6-32	8±10%	
8-32	16±10%	
10-32	26±10%	
12-24	50±10%	
1/4-20/M6	60±5%	5±5%
5/16-18	125±5%	10.4±5%
3/8-16	180±5%	15.0±5%
1/2-13	500±2%	41.7±2%
5/8-11	1000±1%	83.3±1%

2.4.2. Remove the CUBE Door

1. Drill out the rivets that hole the door onto the CUBE. Remove the door (Figure 2).
2. Copy identifying information from the label on the existing door (e.g. part number, serial number, etc.) onto the blank label on the replacement door, if available, or directly onto the door surface using permanent marker. Store or discard the door per company practice.

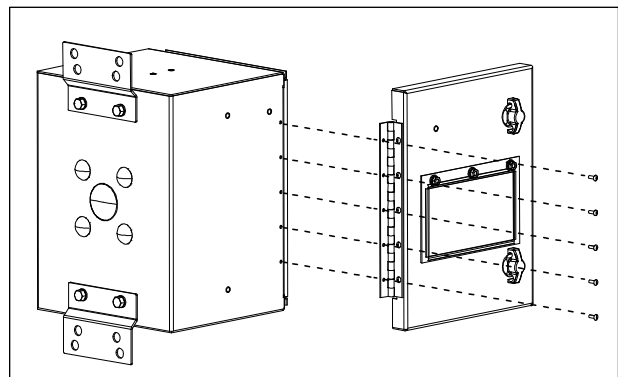


Figure 2 Remove CUBE Door

2.4.3. Mount the Kit Door

Use the 8-32 hex screws with sealing washers and Keps nuts (included with the kit) to mount the kit door.

1. Position the screws and sealing washers on the front of the hinge, with the rubber side of the sealing washer facing the hinge.
2. Use the top three mounting holes on the CUBE.
3. Secure from inside the CUBE using the Keps nuts

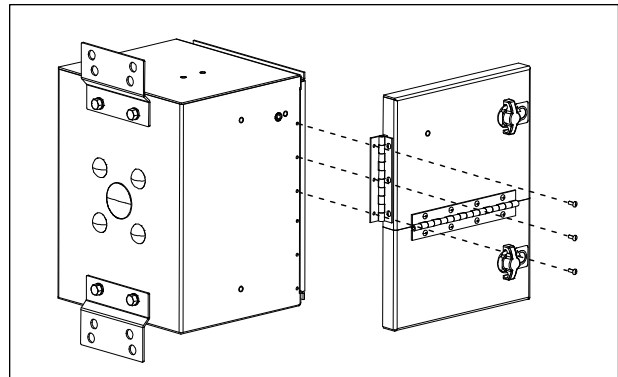


Figure 2 Remove CUBE Door

3. TECHNICAL ASSISTANCE AND REPAIR SERVICE

For questions on product repair or if technical assistance is required, contact Charles Technical Support.

847-806-8500
techserv@charlesindustries.com (email)
<http://www.charlesindustries.com/techserv.htm>

4. WARRANTY & CUSTOMER SERVICE

Charles Industries LLC offers a one-year warranty on the CUBE product. The Charles warranty is limited to the operation of the CUBE hardware as described in this documentation and does not cover equipment that may be integrated by a third party. The terms and conditions applicable to any specific sale of product shall be defined in the resulting sales contract. For questions on warranty or other customer service assistance, contact your Charles Customer Service Representative.

847-806-6300
mktserv@charlesindustries.com (email)
http://www.charlesindustries.com/main/telecom_sales_support.htm

5. SPECIFICATIONS

Physical	
Weight	Approx. 10 lbs. as shipped
Materials	0.125" aluminum
Color	Off-white
Environmental	
Operating Temp. Range, Outside Enclosure	-40° to +115°F, -40° to 46°C
Operating Temp Range, Inside Enclosure	-40° to +149°F, -40° to 65°C
Humidity	0 to 95% (non-condensing)
Altitude	Up to 2,000 meters (6560 feet)
Kits and Replacement Parts	
Touch-up Paint	02-000290-0
1/4 Turn Latch	39-000420-0

Table 1 CUBE Specifications