

Charles Pole Base Cover Kit

97-002503x-A

General Description and Installation

- 1. GENERAL INTRODUCTION1
 - 1.1. Document Purpose1
 - 1.2. Product Purpose.....1
- 2. INSTALLATION2
 - 2.1. Inspecting the Product.....2
 - 2.2. Following and Using Safety Precautions.....2
 - 2.3. Obtaining Tools and Equipment.....2
 - 2.4. Mounting the Kit.....2
- 3. TECHNICAL ASSISTANCE AND REPAIR SERVICE.....3
- 4. WARRANTY & CUSTOMER SERVICE3
- 5. SPECIFICATIONS.....3

1. GENERAL INTRODUCTION

1.1. Document Purpose

This document provides general information for the 97-002503x-A pole base cover kit. Figure 1 shows the kit components. Mounting hardware is not shown.

-NOTE-
Hereafter, the Charles 97-002503x-A pole base cover kit will be referred to as the "kit."

1.2. Product Purpose

The kit is a cover for customer equipment that is mounted onto the pole base, at ground level. Kit dimensions are shown in Figure 2.

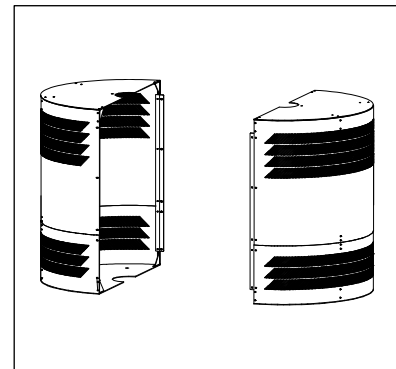


Figure 1 Kit Components

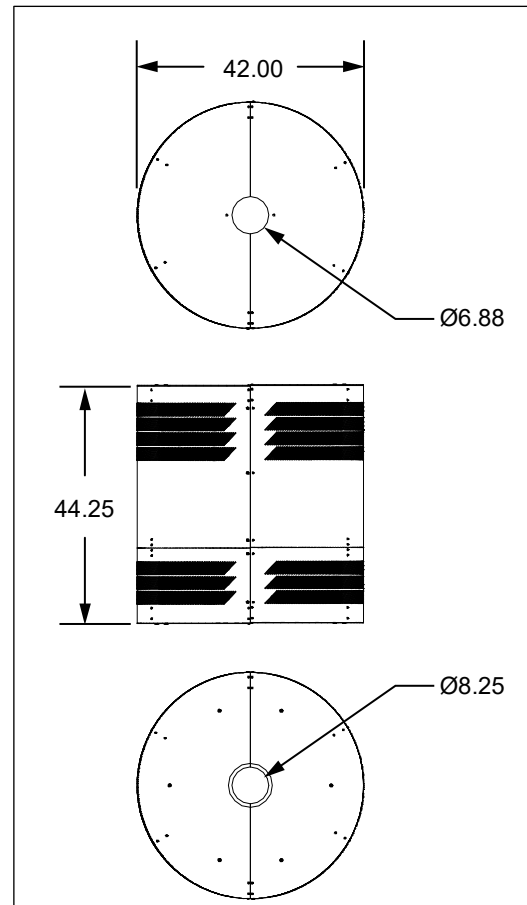


Figure 2 Dimensions

2. INSTALLATION

2.1. Inspecting the Product

The kit is shipped on a skid. Remove the bolts, unpack the unit, and dispose of the packaging material.

-INSPECTION NOTE-

Visually inspect the unit for damages prior to installation. If the equipment was damaged in transit, immediately report the extent of the damage to the transportation company.

2.2. Following and Using Safety Precautions

Read the following site and safety tips, cautions, and warnings, then proceed with the paragraphs that follow.

- Read all instructions, warnings and cautions on the equipment and in the documentation shipped with the product.
- Do not place this product on weak or unstable surfaces which may allow the product to fall, resulting in potentially serious damage(s) to persons or product.
- Only authorized trained personnel shall install the kit.

2.3. Obtaining Tools and Equipment

Obtain the following recommended or needed items for installing the kit.

- Protective and/or insulated work gloves
- Safety glasses
- Slotted, hex, and Phillips screwdrivers
- Torque wrench

2.4. Mounting the Kit

2.4.1. Torque Requirements

Torque all hardware as shown below (unless otherwise noted). These values apply to SAE Grade 1 & 2 Low Carbon Steel, ASTM A307 Low Carbon Steel, and Stainless Steel Grade 18-8.

Thread Size	In-lbs	Ft-lbs
4-40	4±10%	
6-32	8±10%	
8-32	16±10%	
10-32	26±10%	
12-24	50±10%	
1/4-20/M6	60±5%	5±5%
5/16-18	125±5%	10.4±5%
3/8-16	180±5%	15.0±5%
1/2-13	500±2%	41.7±2%
5/8-11	1000±1%	83.3±1%

2.4.2. Mounting

Prior to installing the kit, ensure that customer equipment has been securely mounted onto the pole base (Figure 3).

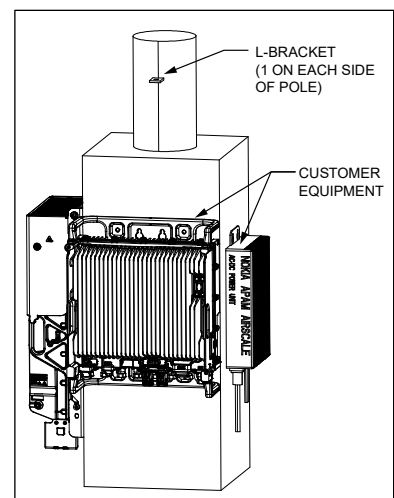


Figure 3 Pole Base

Place the two halves of the kit around the pole base, ensuring that the bottom plates are underneath the base and that the 3/8" holes on the top plates are aligned with the customer supplied L-brackets on either side of the pole (Figure 4).

Secure the two kit halves together using 10-32 Philips screws (five per side, Figure 5). Secure the top plates to the L-brackets using customer supplied screws.

Once the kit is installed, mount the customer supplied hexagonal transition piece on top of the kit (not pictured).

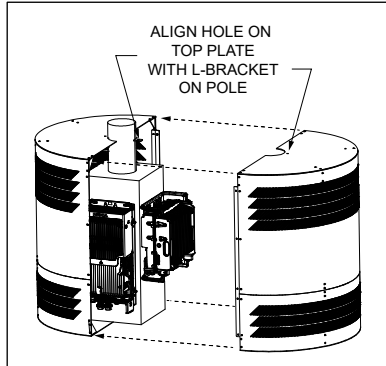


Figure 4 Place Kit

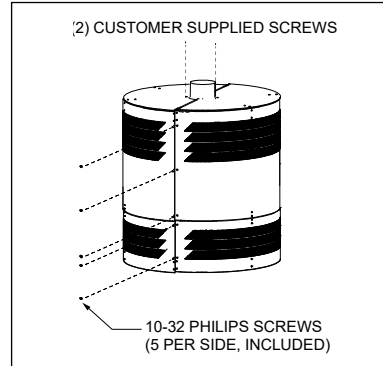


Figure 5 Secure Kit

3. TECHNICAL ASSISTANCE AND REPAIR SERVICE

For questions on product repair or if technical assistance is required, contact Charles Technical Support.

847-806-8500

techserv@charlesindustries.com (email)

<http://www.charlesindustries.com/techserv.htm>

4. WARRANTY & CUSTOMER SERVICE

Charles Industries LLC offers a one-year warranty on the CUBE product. The Charles warranty is limited to the operation of the CUBE hardware as described in this documentation and does not cover equipment that may be integrated by a third party. The terms and conditions applicable to any specific sale of product shall be defined in the resulting sales contract. For questions on warranty or other customer service assistance, contact your Charles Customer Service Representative.

847-806-6300

mktsev@charlesindustries.com (email)

http://www.charlesindustries.com/main/telecom_sales_support.htm

5. SPECIFICATIONS

Physical	
Dimensions	44"H, Ø42"
Weight	Approx. 96 lbs. as shipped
Materials	0.125" aluminum
Environmental	
Operating Temp. Range, Outside Enclosure	-40° to +115°F, -40° to 46°C
Operating Temp Range, Inside Enclosure	-40° to +131°F, -40° to 55°C
Humidity	0 to 95% (non-condensing)
Altitude	Up to 2,000 meters (6560 feet)

Table 1 Kit Specifications

Part Number	Color	Touch-up Paint
97-002503D-A	Classic Texture Gray	02-000642-0
97-002503F-A	Onyx Black	02-000640-0
97-002503H-A	Hunt Club Green	02-000748-0

Table 2 Available Colors