

# Charles Battery Heater Kit

## 97-NRDAHEATERKT

### General Description and Installation

<b>1. GENERAL INTRODUCTION .....</b>	<b>1</b>
1.1. Document Purpose .....	1
1.2. Product Purpose .....	1
<b>2. INSTALLATION .....</b>	<b>2</b>
2.1. Inspecting the Product .....	2
2.2. Following and Using Safety Precautions .....	2
2.3. Obtaining Tools and Equipment .....	2
2.4. Mounting the Kit .....	2
<b>3. TECHNICAL ASSISTANCE AND REPAIR SERVICE .....</b>	<b>4</b>
<b>4. WARRANTY &amp; CUSTOMER SERVICE .....</b>	<b>4</b>
<b>5. SPECIFICATIONS .....</b>	<b>4</b>

## 1. GENERAL INTRODUCTION

### 1.1. Document Purpose

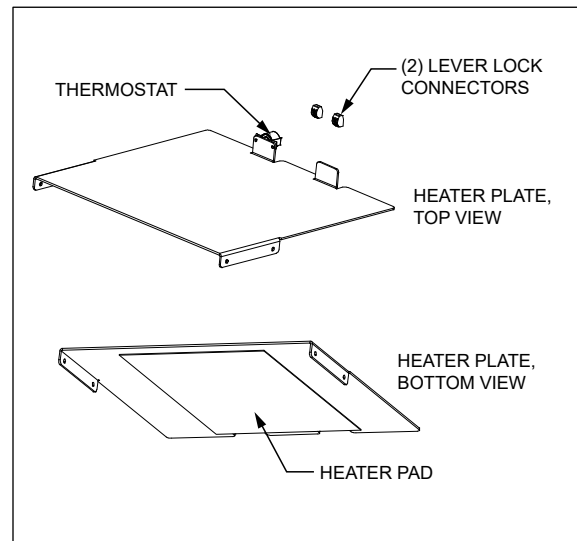
This document provides general information for the 97-NRDAHEATERKT heater pad kit for the Charles Industries CUBE-RL11411HN3 and CUBE-RL11411HNZ cabinet. Figure 1 shows the kit components. Hardware and wiring are not shown.

-NOTE-

*Hereafter, the Charles 97-NRDAHEATERKT heater pad kit will be referred to as the "kit." The CUBE-RL11411HN3/HNZ cabinet will be referred to as the "CUBE."*

### 1.2. Product Purpose

The kit includes a heater plate equipped with a heater pad and thermostat. Wiring and hardware to connect the heater pad and thermostat to a power source are included.



**Figure 1 Kit Components**

## 2. INSTALLATION

### 2.1. Inspecting the Product

The kit is shipped in a carton. Unpack the unit and dispose of the packaging material.

*-INSPECTION NOTE-*

*Visually inspect the unit for damages prior to installation. If the equipment was damaged in transit, immediately report the extent of the damage to the transportation company.*

### 2.2. Following and Using Safety Precautions

Read the following site and safety tips, cautions, and warnings, then proceed with the paragraphs that follow.

- For installation, follow all National Electrical Codes (NEC) ANSI/NFPA 70, local, environmental, workplace, and company codes, safety procedures, and practices.
- Read all instructions, warnings and cautions on the equipment and in the documentation shipped with the product.
- Do not place this product on weak or unstable surfaces which may allow the product to fall, resulting in potentially serious damage(s) to persons or product.
- Only authorized trained personnel shall install the kit.
- In windy conditions, be sure to engage the wind latches to secure the door in a stationary position.

### 2.3. Obtaining Tools and Equipment

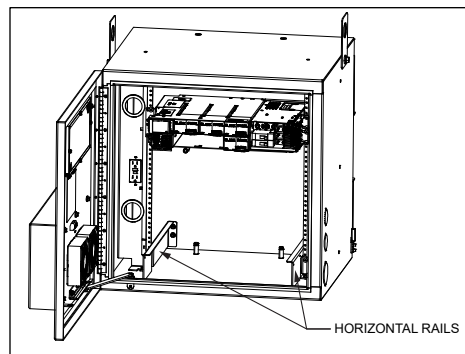
Obtain the following recommended or needed items for installing the kit.

- Protective and/or insulated work gloves
- Safety glasses
- Any exterior cable strain relief, per company practice
- Slotted, hex, and Phillips screwdrivers
- Torque wrench
- Wire strippers

### 2.4. Mounting the Kit

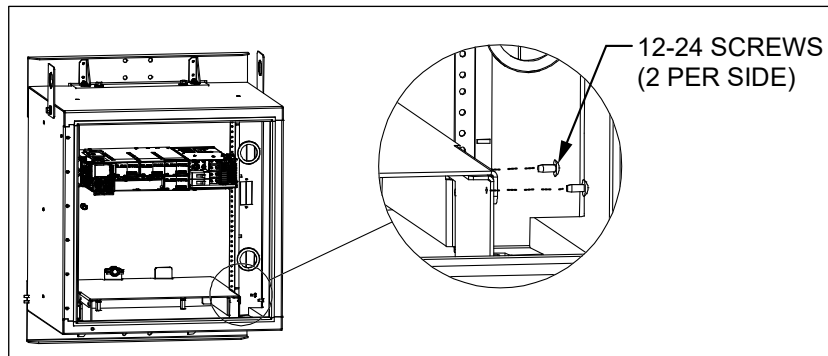
Mounting hardware is included with the kit.

Mount the kit in the CUBE on top of the horizontal rails on the bottom of the CUBE (Figure 2).

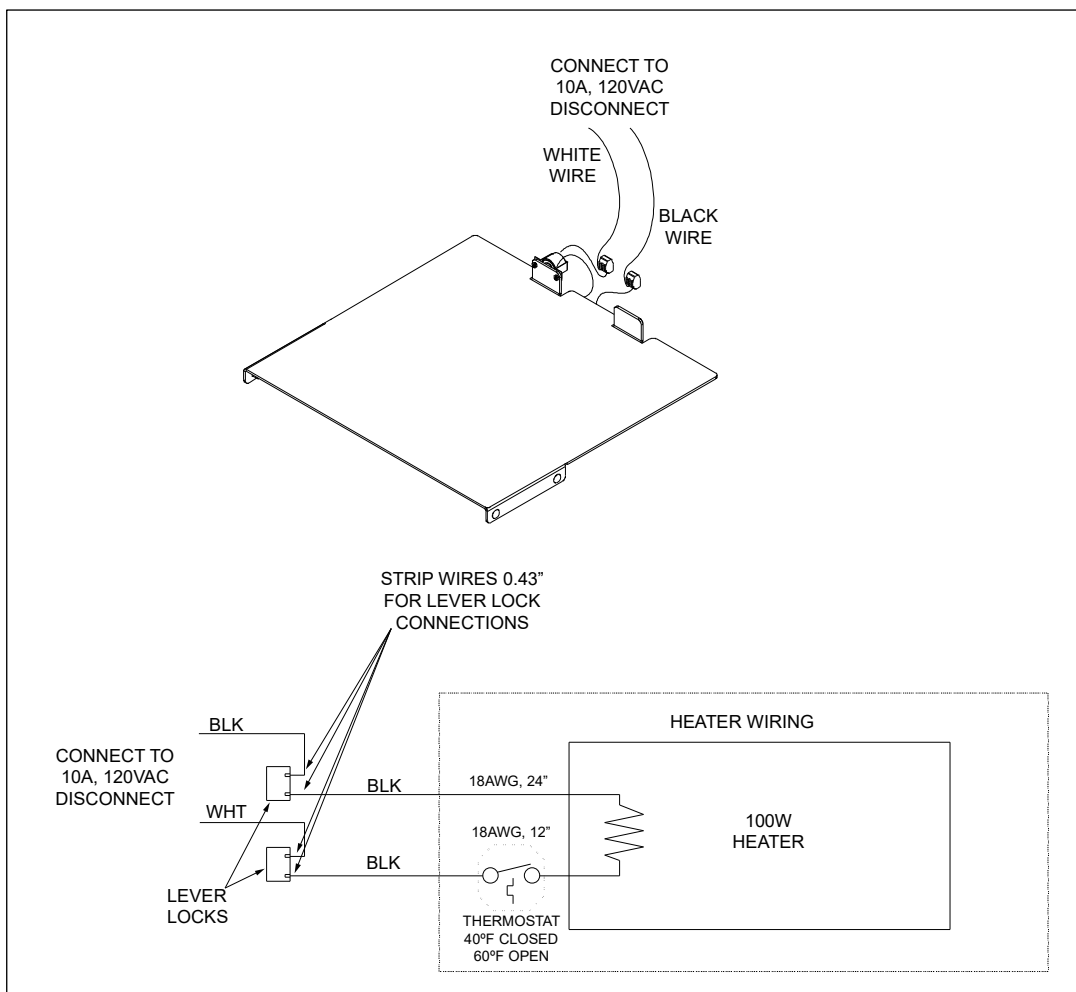


**Figure 2    Horizontal Rails**

1. Mount the heater plate onto the horizontal rails in the CUBE. Use two 12-24 screws per side (Figure 3). Torque to 50 in-lbs.
2. Connect the black and white wires and lever locks included with the kit to the thermostat and to a power source as shown in Figure 4.



**Figure 3 Mount Heater Plate in CUBE**



**Figure 4 Kit Wiring**

### 3. TECHNICAL ASSISTANCE AND REPAIR SERVICE

For questions on product repair or if technical assistance is required, contact Charles Technical Support.

847-806-8500  
[techserv@charlesindustries.com](mailto:techserv@charlesindustries.com) (email)  
<http://www.charlesindustries.com/techserv.htm>

### 4. WARRANTY & CUSTOMER SERVICE

Charles Industries LLC offers a one-year warranty on the kit product. The Charles warranty is limited to the operation of the kit hardware as described in this documentation and does not cover equipment that may be integrated by a third party. The terms and conditions applicable to any specific sale of product shall be defined in the resulting sales contract. For questions on warranty or other customer service assistance, contact your Charles Customer Service Representative.

847-806-6300  
[mktserv@charlesindustries.com](mailto:mktserv@charlesindustries.com) (email)  
[http://www.charlesindustries.com/main/telecom\\_sales\\_support.htm](http://www.charlesindustries.com/main/telecom_sales_support.htm)

### 5. SPECIFICATIONS

<b>Physical</b>	
Weight	Approx. 25 lbs. as shipped
Materials	Rack rail support brackets: steel Heater plate: 0.125" aluminum
Color	Off-white
<b>Electrical</b>	
Heater Pad	120V, 100W, Caliente LLC M-PM77-MA

**Table 1      Kit Specifications**