

Charles Pedestal Vault Mounting Kits

97-S2BGEVM0810 and 97-S2BGEVM12

General Description and Installation

1. GENERAL INTRODUCTION

1.1. Document Purpose

This document provides general information for the 97-S2BGEVM0810 and 97-S2BGEVM12 mounting kits for Charles Industries 8", 10", and 12" Series 2 pedestals. The kit includes two brackets and hardware that secure the pedestal to the top of a BGE unit. Figure 1 shows the kit components.

-NOTE-

Hereafter, the Charles pedestal mounting kits will be referred to as the "kit."

1.2. Product Purpose

The kits are available in two sizes, depending on the size of Series 2 pedestal in use:

97-S2BGEVM810	For 8" and 10" pedestals
97-S2BGEVM12	For 12" pedestals

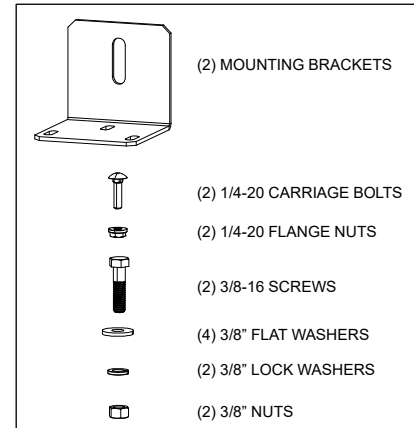


Figure 1 Kit Components

The images in this document show the 97-S2BGEVM12 kit with a 12" pedestal. The smaller kit and pedestal are mounted in the same manner.

2. INSTALLATION

2.1. Inspecting the Product

The kit is shipped in a carton. Unpack the unit and dispose of the packaging material.

-INSPECTION NOTE-

Visually inspect the unit for damages prior to installation. If the equipment was damaged in transit, immediately report the extent of the damage to the transportation company.

2.2. Obtaining Tools and Equipment

Obtain the following recommended or needed items for installing the kit.

- Protective and/or insulated work gloves
- Safety glasses
- Hex screwdriver
- Torque wrench
- Wrench with ratchet for 1/4"-20 nut

2.3. Mounting the Kit

1. Set the pedestal on top of the BGE.
2. Place the two mounting brackets on the inside of the pedestal. Align the holes/slots on the mounting brackets with the available holes on top of the BGE and on the sides of the pedestal.
3. Use the 1/4-20 carriage bolt and flange nut to secure the bottom leg of the bracket to the BGE top surface. Torque to 5 ft-lbs.
4. Use the 3/8-16 hex screw with flat washers, lock washers, and nuts to secure the side leg of the bracket to the inside of the pedestal. Torque to 15 ft-lbs.

A cross-sectional view of the pedestal, BGE, and mounting kit are shown in Figure 2.

3. TECHNICAL ASSISTANCE AND REPAIR SERVICE

For questions on product repair or if technical assistance is required, contact Charles Technical Support.

847-806-8500
techserv@charlesindustries.com (email)
<http://www.charlesindustries.com/techserv.htm>

For other customer service assistance, contact your Charles Customer Service Representative.

847-806-6300
mktserv@charlesindustries.com (email)
http://www.charlesindustries.com/main/telecom_sales_support.htm

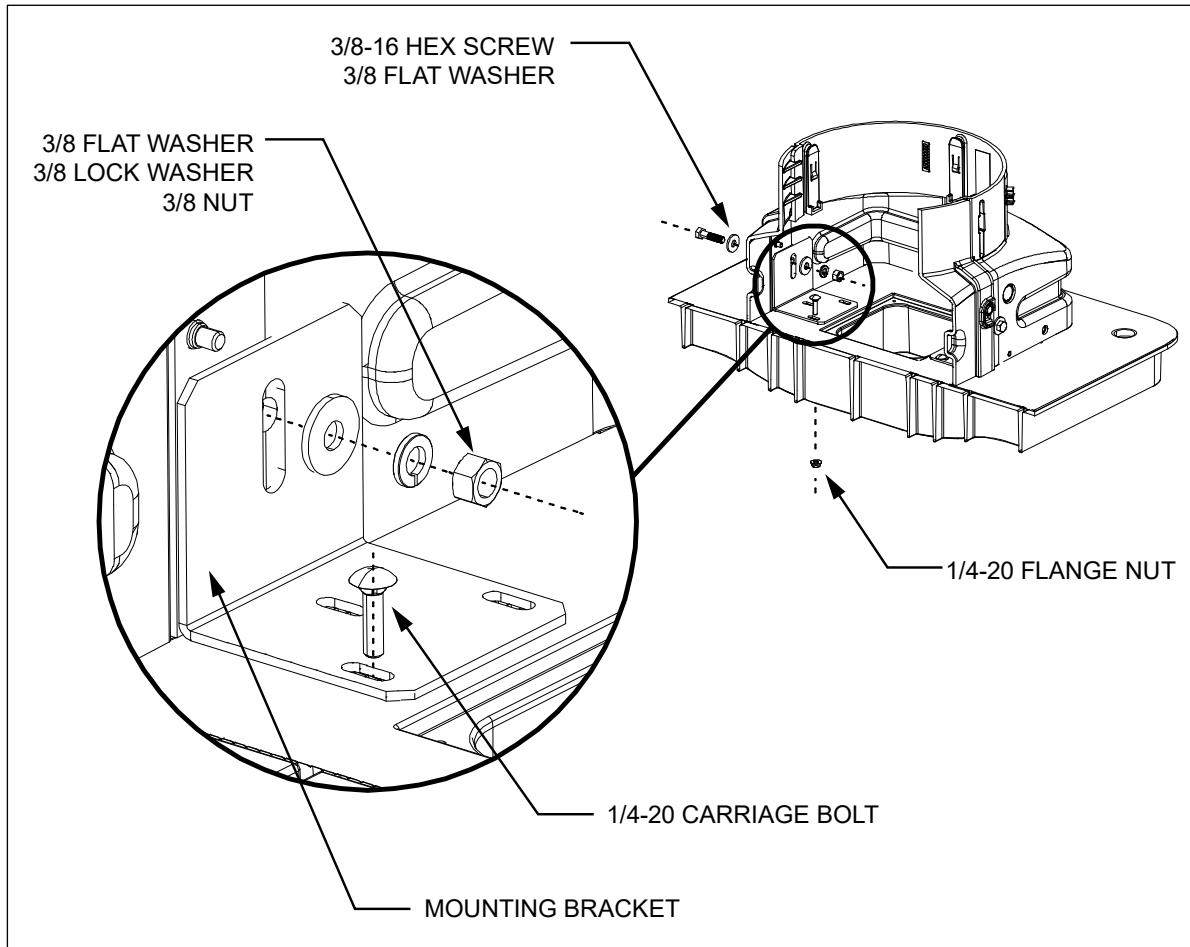


Figure 2 Secure Pedestal to BGE