

Amphenol Charles Industries (ACI) Fiber Sealed Drop Repair Closures (FDRC) are very compact units. They can be used as a repair closure or a small splice closure for a single fiber cable. There are two in-line ports that can accommodate cables or micro-duct up to 7.5mm in diameter as well as commonly used 8 x 4.5mm flat drop cable.

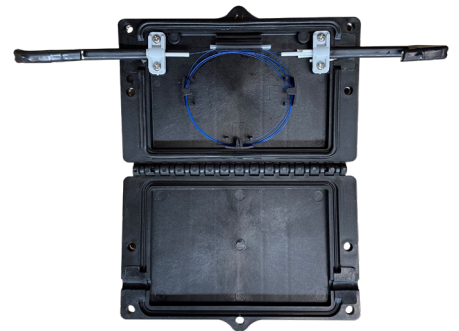
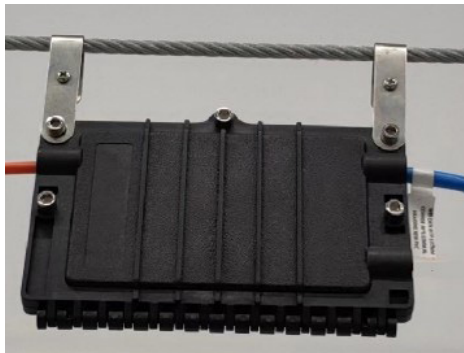
The units have two internal splice slots and can accommodate up to 4 single fusion splices. They feature grommet sealing and can be re-entered and re-sealed. The closures can be direct buried as well as placed in a hand-hole, mounted on a wall, or on an aerial strand.



FDRC

FEATURES

- Compact size: 7" x 4.6" x 0.9"
- Two in-line cable ports for 5 - 7.5mm cables
- Two splice slots
- Re-enterable and resealable
- Can be direct buried, or used in hand-holes, pedestals, as well as wall or aerial mounted
- IP68 rated



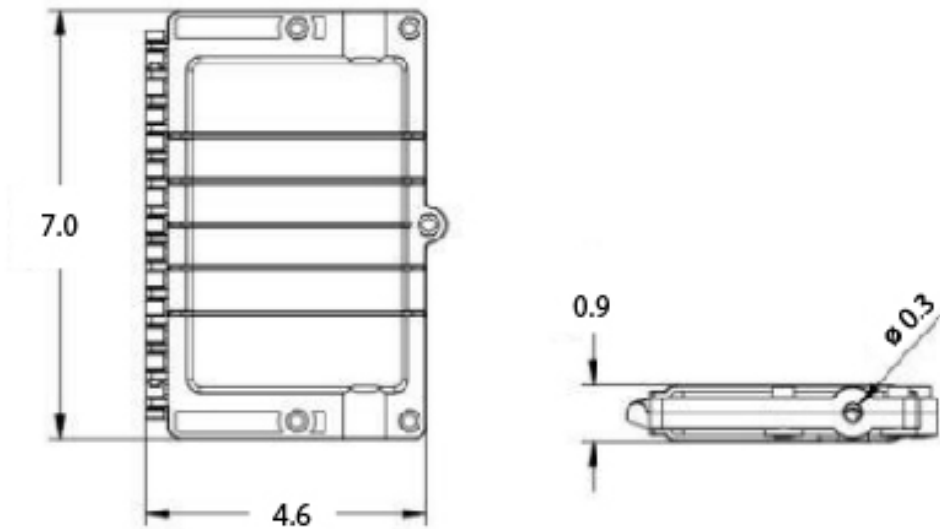
Product Specifications

Material	Glass-filled Polypropylene
Weight	Approx. 2.2 lb. (1kg)
Dimensions	7.0" x 4.6" x 0.9" (178 x 117 x 22.5 mm)
Cable Ports	Two inline ports accommodate 3 – 7.5mm round and flat drop
Splice Capacity	2/4 (double stacked)
Sealing	Compressed silicone grommet
Mounting	Direct buried, hand-hole, pedestal, wall, aerial strand mounted
Rating	IP68

Outline Dimensions

DIMENSIONAL VIEWS

All dimensions are in inches



ORDERING INFORMATION

Part Number	Description	Pallet Qty.
FDRC2P2S	Fiber sealed drop repair closure with 2 splice slots	64


Contact Amphenol Charles Industries for additional available part numbers.

Charles Industries, LLC

An Amphenol Company

1450 American Lane, 20th Floor, Schaumburg, IL 60173

 mktserv@charlesindustries.com

 (847) 806-6300

