

Pedlock Universal Non-Metallic Buried Plant Pedestals

Amphenol Charles Industries' Pedlock CPLU Series Pedestals feature a revolutionary design ideally suited to protecting conduit-fed splice points in the outside plant. The dome, base and backboard feature non-metallic construction for long life, added safety, and superior performance. Every aspect of the pedestal's design has been carefully crafted to provide installers and technicians with the industry's most versatile and easy to use pedestal, while maintaining the Pedlock's legacy of field-proven environmental protection.

CPLU Series pedestals include a unique corrugated channel base with increased capacity resulting from its square design. The base is split in two halves for easy installation around installed plant conduit and cable bundles. Internally, a universal backboard accepts all types of terminal blocks, and has ladder bars spaced along the backplane for simplified cable management. The dome features a self-lock and positive alignment guides for quick and secure opening and closing.

MARKETS SERVED:

- Telecom / FTTX
- Utility
- Wireless
- Broadband Cable



CPLU

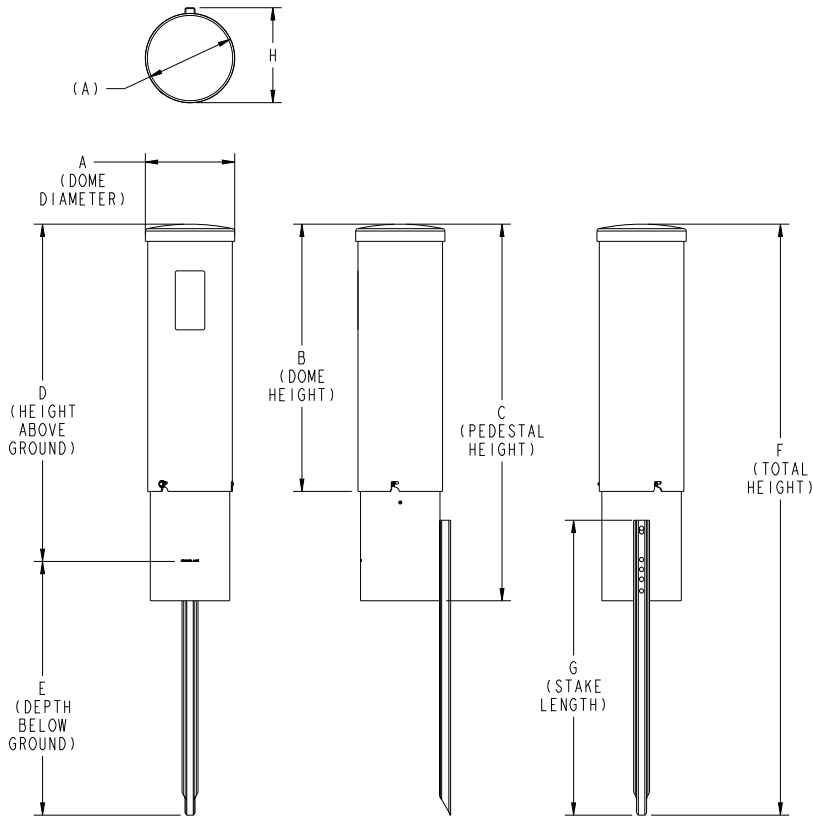
FEATURES

- Non-metallic PVC construction won't rust, corrode, chip or fade. Internal equipment is protected from floods, fires, and wind-blown dust and debris
- Corrugated channel base eliminates the need for metallic mounting stakes in most soil conditions. The base's square design increases capacity and easily accepts conduit bundles
- Split base design allows for easy and speedy access to cable/wire entrance area. Four 1 1/4" rubber grommets just below the ground-line provide easy entry for service wires without disturbing gravel or pedestal base fill. Stake mounting holes on three of the base's sides provide flexibility in placement of mounting stake
- Universal backboard (U-backboard) is easily installed or removed from new rail mounting brackets without the use of tools. A new universal hole pattern accommodates all types of terminal blocks
- Ground bar connects to both sides of the U-backboard providing unique "craft-friendly" bond-points. Bond-points for buried service wire are positioned on the front of the bond bar. Bond-points for the cables are positioned on the back of the bond bar for convenient bonding of cable sheaths
- Self-locking dome with positive alignment guides ensures quick opening and takes the guesswork out of secure closing. 216-cupped bolt lock prevents unauthorized entry

Product Outline Dimensions

CPLU Series 2 Round Base with Stake Dimensions

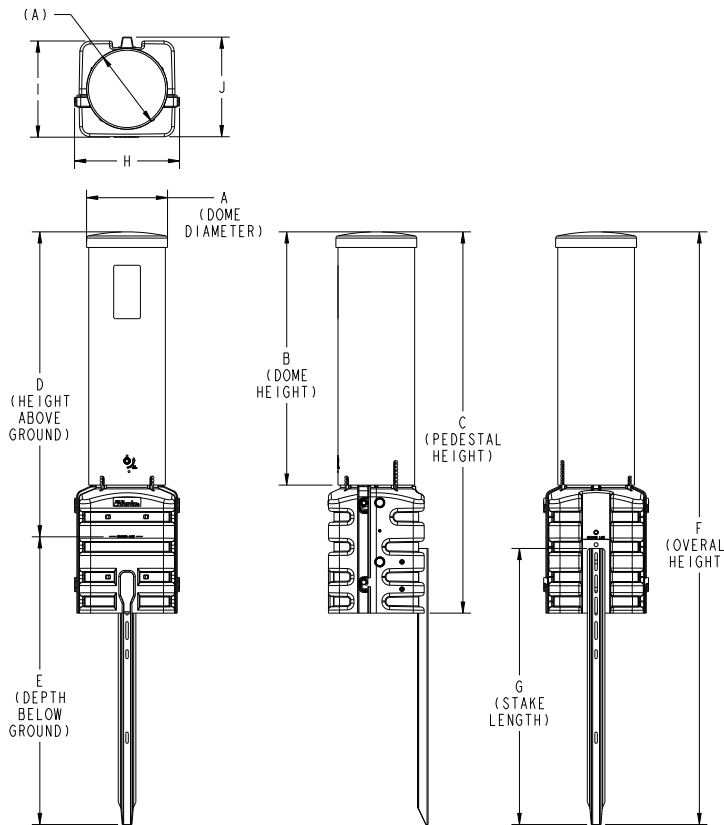
All dimensions are in inches



| Size | A | B | C | D | E | F | G | H |
|------|-------|-------|-------|-------|-------|-------|-----|------|
| 6" | 7.4" | 27.4" | 38.4" | 34.4" | 26.9" | 61.3" | 31" | 7.8" |
| 8" | 8.9" | 27.2" | 38.2" | 34.2" | 26.9" | 61.1" | 31" | 9.3" |
| 10" | 11.7" | 27.2" | 38.2" | 34.2" | 27" | 61.2" | 31" | 12" |

CPLU Series 2 Split Base with Stake Dimensions

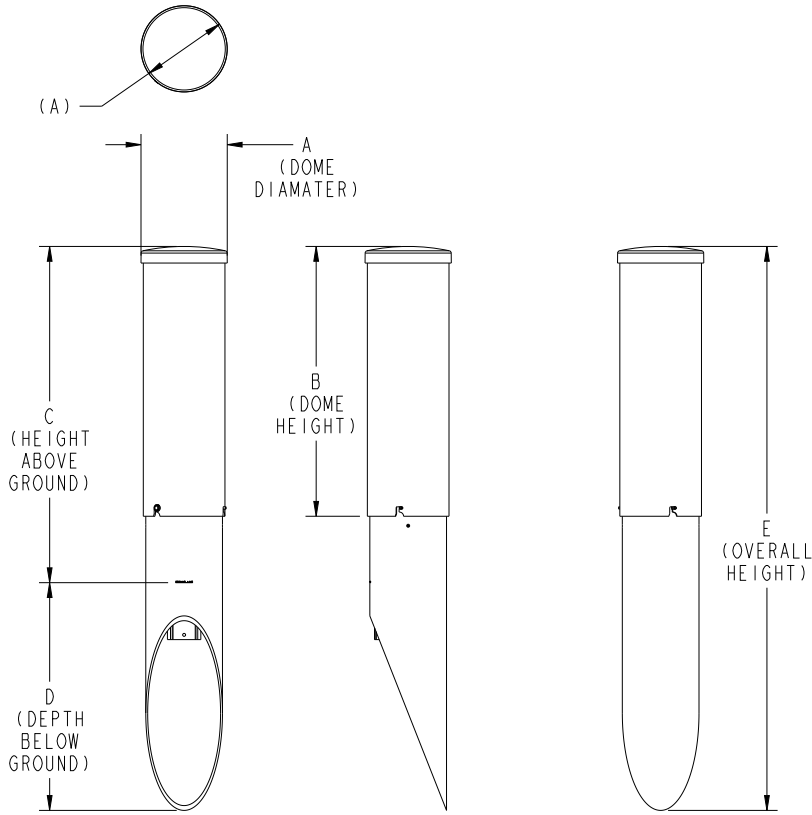
All dimensions are in inches



| Size | A | B | C | D | E | F | G | H | I | J |
|------|-------|--------|--------|--------|-------|--------|-----|-------|-------|-------|
| 6" | 7.4" | 28.7" | 43.1" | 34.5" | 31.3" | 65.9" | 31" | 10.8" | 9.8" | 9.9" |
| 8" | 9.1" | 28.4" | 42.8" | 34.2" | 31.4" | 65.6" | 31" | 11.8" | 10.8" | 10.9" |
| 10" | 11.7" | 28.45" | 43.35" | 34.75" | 31.4" | 66.15" | 31" | 13.8" | 12.8" | 12.9" |

Product Outline Dimensions

CPLU Series 2 Integral Stake Dimensions



All dimensions are in inches

| Size | A | B | C | D | E |
|------|-------|-------|-------|-----|-------|
| 6" | 7.4" | 27.4" | 34.4" | 24" | 58.4" |
| 8" | 9.1" | 27.2" | 34.2" | 24" | 58.2" |
| 10" | 11.7" | 27.2" | 34.2" | 24" | 58.2" |

Ordering Information

| Part Number | Description |
|-------------|-------------------------------------------------------------------------------|
| CPLU 6 | 6" Pedestal, round base, Universal Backboards, service wire channel |
| CPLU 8 | 8" Pedestal, round base, Universal Backboards, service wire channel |
| CPLU 10 | 10" Pedestal, round base, Universal Backboards, service wire channel |
| CPLU 6-I | 6" Pedestal, integral stake base, Universal Backboards, service wire channel |
| CPLU 8-I | 8" Pedestal, integral stake base, Universal Backboards, service wire channel |
| CPLU 10-I | 10" Pedestal, integral stake base, Universal Backboards, service wire channel |
| CPLU 6-R | 6" Pedestal, rehab (split) base, Universal Backboards, service wire channel |
| CPLU 8-R | 8" Pedestal, rehab (split) base, Universal Backboards, service wire channel |
| CPLU 10-R | 10" Pedestal, rehab (split) base, Universal Backboards, service wire channel |
| CPLU 6-E | 6" Pedestal, split square base, Universal Backboards, service wire channel |
| CPLU 8-E | 8" Pedestal, split square base, Universal Backboards, service wire channel |
| CPLU 10-E | 10" Pedestal, split square base, Universal Backboards, service wire channel |

PEDESTAL ACCESSORIES


| Part Number | Description |
|--------------------|---------------------------------------------------------------------|
| 002271F | Standard 6" copper dome assembly, 6" X 26.5" (CPLU,CPLU-I,CPLU-R) |
| 003151F | Standard 8" copper dome assembly, 8" X 26.5" (CPLU,CPLU-I,CPLU-R) |
| 002295F | Standard 10" copper dome assembly, 10" X 26.5" (CPLU,CPLU-I,CPLU-R) |
| 97-DOME206RPLKT | Standard 6" copper dome assembly (CPLU-E) |
| 97-DOME208RPLKT | Standard 8" copper dome assembly (CPLU-E) |
| 97-DOME21031RPL | Standard 10" copper dome assembly (CPLU-E) |
| 80-001880-F | 6" Split square base (CPLU-E) |
| 80-001881-F | 8" Split square base (CPLU-E) |
| 80-001882-F | 10" Split square base (CPLU-E) |
| 97-500512-A | Ground Lug (pkg. 100) |
| 97-PKOR06-A | 6" Hi-Viz Kap (pkg. 50) |
| 97-PKOR08-A | 8" Hi-Viz Kap (pkg. 50) |
| 97-PKOR10-A | 10" Hi-Viz Kap (pkg. 25) |
| 24-100946-F | Service wire channel kit, 2.5" X 12.5" (25 pieces) |
| 18-900731-F | Rectangular drop channel plug kit (25 pieces) |
| 010376-F | 1.25" black rubber base grommet plug (25 pieces) |
| PHP10 | 10" base hole plug; PVC green (100 pieces) |
| PHP68 | 6" & 8" base hole plug; PVC green (100 pieces) |
| UMS30-STD | Metal mounting stake and hardware, 30" Length |
| UMS36-STD | Metal mounting stake and hardware, 36" Length |
| UMS42-STD | Metal mounting stake and hardware, 42" Length |
| UMB102A | Universal pole mounting bracket kit |

Charles Industries, LLC

An Amphenol Company

1450 American Lane, 20th Floor, Schaumburg, IL 60173

 mktserv@charlesindustries.com

 (847) 806-6300

