

Charles Drop Channel Kit

97-DCKIT300

General Description and Installation

1. GENERAL INTRODUCTION

1.1. Document Purpose

This document provides general information for the 97-DCKIT300 drop channel kit for Charles Industries Series 3 8" and 10" pedestals. Figure 1 shows the kit components. Mounting hardware is not shown.

-NOTE-

Hereafter, the Charles 97-DCKIT300 drop channel kit will be referred to as the "kit." The Series 3 pedestal will be referred to as the "pedestal."

1.2. Product Purpose

The kit allows the addition of a drop channel to the inside of the pedestal.

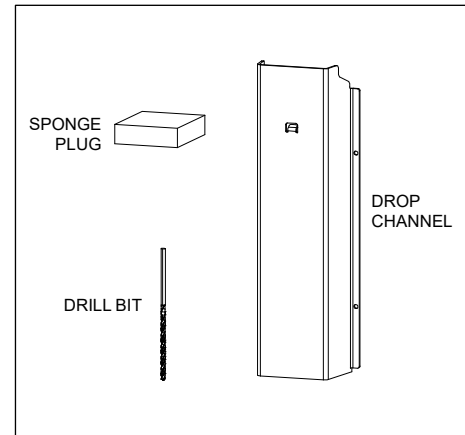


Figure 1 Kit Components

2. INSTALLATION

2.1. Inspecting the Product

The kit is shipped in a carton of nine kits. Unpack the unit and dispose of the packaging material.

-INSPECTION NOTE-

Visually inspect the unit for damages prior to installation. If the equipment was damaged in transit, immediately report the extent of the damage to the transportation company.

2.2. Obtaining Tools and Equipment

Obtain the following recommended or needed items for installing the kit.

- Protective and/or insulated work gloves
- Safety glasses
- Drill
- Hex screwdriver

2.3. Mounting the Kit

1. Place the drop channel against the outside of the pedestal, centered. Ensure that the holes in the drop channel are positioned over the pedestal valleys, rather than the ridges (Figure 2).
2. Hold the drop channel very still and use the holes in the drop channel as a drilling template. Drill four holes in the side of the pedestal using the drill bit included with the kit (Figure 2).
3. Place the drop channel on the inside of the pedestal, aligning the holes in the drop channel with the holes in the pedestal.
4. Secure the drop channel using the four screws and nuts included with the kit. Insert the screws from outside the pedestal and tighten the nuts on the inside (Figure 3).
5. Slide the sponge plug into the drop channel from the top and push the plug down until it rests on the tab in the drop channel (Figure 4). The sponge plug protects against moisture from running down the inside of the drop channel.

3. TECHNICAL ASSISTANCE AND REPAIR SERVICE

For questions on product repair or if technical assistance is required, contact Charles Technical Support.

847-806-8500

techserv@charlesindustries.com (email)

<http://www.charlesindustries.com/techserv.htm>

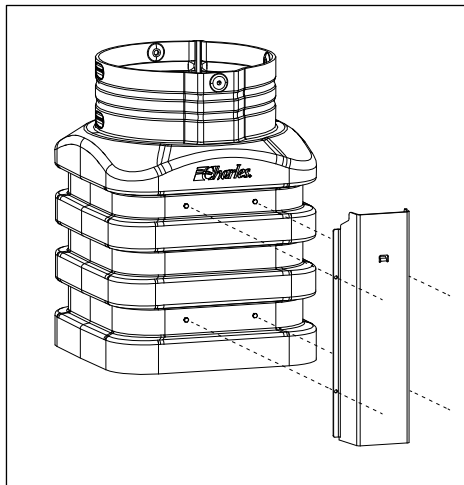


Figure 2
Place Drop Channel to Drill Holes

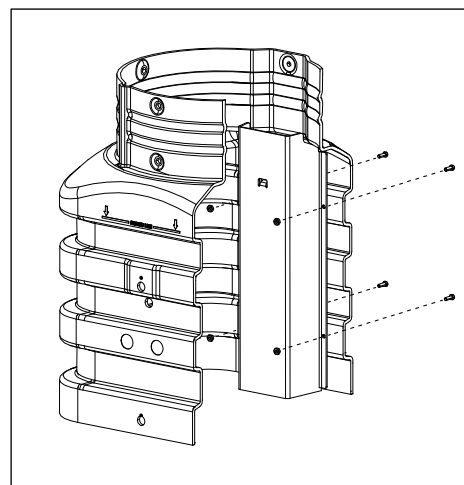


Figure 3
Install Drop Channel

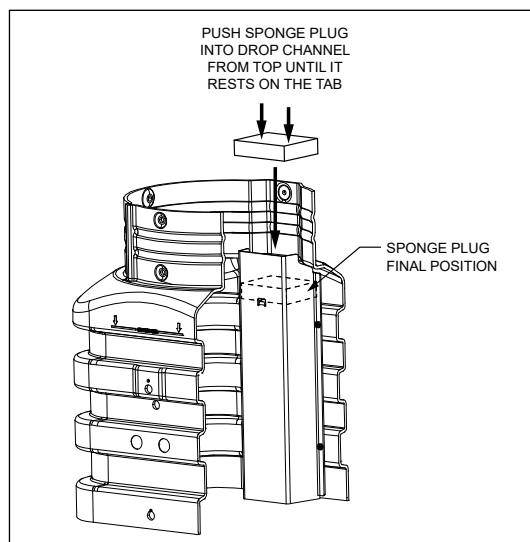


Figure 4 Insert Sponge Plug