



Amphenol Charles Industries' (ACI) Z01 vertical broadband pedestal provides mounting facilities and security for fiber terminals and passive RF components for Fiber-to-the-Home or coaxial-based access networks. The Z01 series have a small 9"x9" footprint with a low profile 15" dome which improves aesthetics and aids with approvals by local jurisdictions.

The pedestals are molded from a HDPE resin designed for outside plant environments, resisting impact, UV rays, and environmental degradation

Terminals and network access equipment can be attached directly to the slotted thru-hole provisions integrated into the equipment mounting stake. In addition, optional bracket kits provide increased mounting flexibility to meet customer-specific needs and applications. A swivel bracket is available specifically for ACI FSDC miniature 8 port fiber terminal. The bracket has swivel feature that allows for easy access to adding drop cables while keeping terminal installed in the Z01 pedestal.



Z01 PEDESTAL

### FEATURES

- Small footprint low profile aids with municipality approvals
- Molded with UV-stabilized HDPE to provide impact resistance, color stability, and long life
- Self-latching dome locking system 7/16" hex head bolt reduces unlocked pedestals and unwanted access
- Molded-in ground line for consistent installations
- Temporary drop access
- A variety of bracket options to mount terminals and equipment

### BRACKET OPTIONS



Bracketry Code 000

Bracketry Code 016

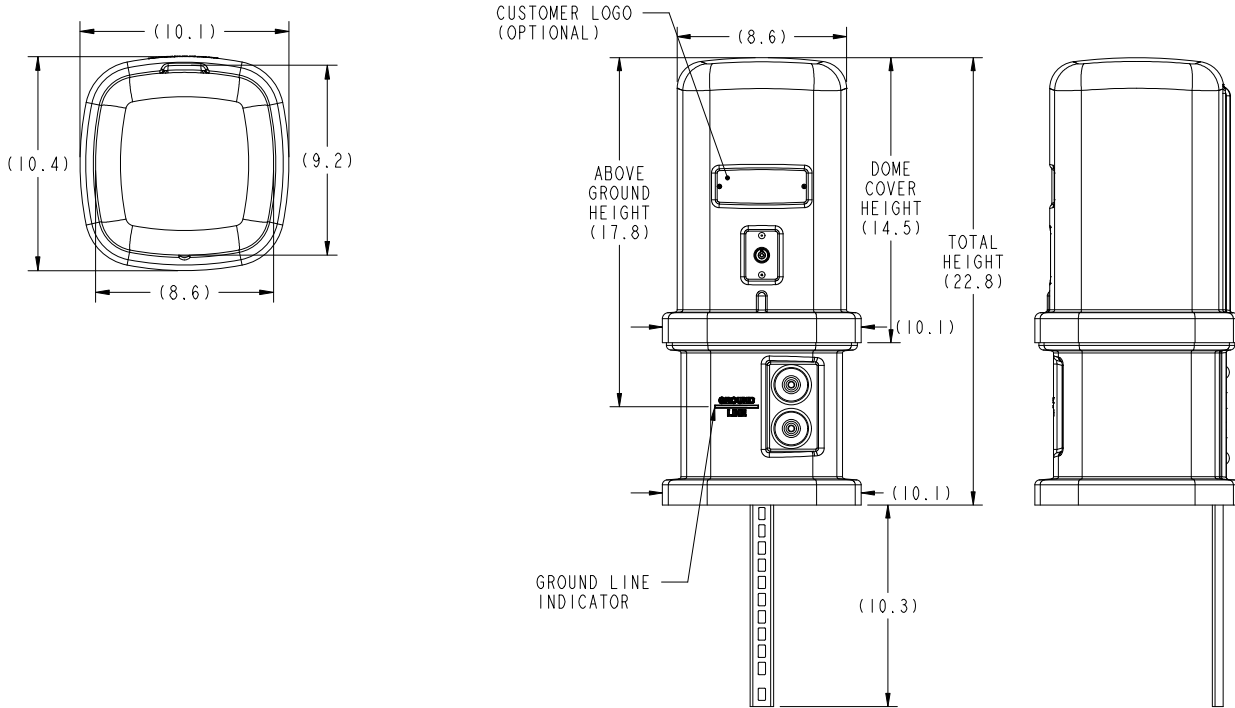
Bracketry Codes E16 or F16

Bracketry Code 024

# Z01 Vertical Broadband Pedestal

## DIMENSIONAL VIEWS

All dimensions are in inches



## ORDERING INFORMATION

Part Number	Description	Pallet Qty.
Z01SS07-21000BK	8x8x15 Vertical Pedestal, light green housing, equipment mounting stake	60
Z01SS07-21024BK	8x8x15" Vertical Pedestal, light green housing, equipment mounting stake w/C-bracket	60
Z01SS07-21016BK	8x8x15" Vertical Pedestal, light green housing, equipment mounting stake w/FSDC-M swivel bracket	60
Z02SS07-21E16BK	8x8x15" Vertical Pedestal, light green housing, equipment mounting stake w/swivel bracket and FSDC-M for round feed cable	60
97-500513-A	Add-on angled 5 stud position ground bar. Kit of 25 ground bars	N/A

Contact Charles Industries for additional available configurations and part numbers.




Looking for other BABA compliant products for BEAD funded projects? Please inquire with us for more information.

## Charles Industries, LLC

An Amphenol Company

1450 American Lane, 20th Floor, Schaumburg, IL 60173

 [mktserv@charlesindustries.com](mailto:mktserv@charlesindustries.com)

 (847) 806-6300

