

Charles Laptop Tray Kit

97-VAK3000LAPTR and 97-4000LAPTR

General Description and Installation

| | |
|---|----------|
| 1. GENERAL INTRODUCTION | 1 |
| 1.1. Document Purpose | 1 |
| 1.2. Product Purpose | 1 |
| 2. INSTALLATION | 2 |
| 2.1. Inspecting the Product | 2 |
| 2.2. Following and Using Safety Precautions | 2 |
| 2.3. Obtaining Tools and Equipment | 2 |
| 2.4. Mounting the Kit | 2 |
| 2.5. Operating the Laptop Tray | 3 |
| 3. TECHNICAL ASSISTANCE AND REPAIR SERVICE | 4 |
| 4. WARRANTY & CUSTOMER SERVICE | 4 |
| 5. SPECIFICATIONS | 4 |

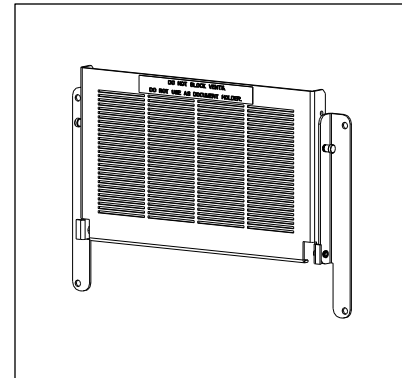


Figure 1 Laptop Tray

1. GENERAL INTRODUCTION

1.1. Document Purpose

This document provides general information for the 97-VAK3000LAPTR and 97-4000LAPTR laptop tray kits for CUBE enclosures. Figure 1 shows the laptop tray.

-NOTE-

Hereafter, the Charles 97-VAK3000LAPTR and 97-4000LAPTR laptop tray kit will be referred to as the "kit."

1.2. Product Purpose

The kit is a foldable laptop tray that is mounted on the inside of the CUBE door.

The 97-VAK3000LAPTR kit can be mounted on any CUBE that is equipped with the VAK-3000 3500W HVAC system.

The 97-VAK4000LAPTR kit can be mounted on any CUBE that is equipped with the VAK-4000 4000W HVAC system with economizer.

2. INSTALLATION

2.1. Inspecting the Product

The kit is shipped in a carton. Unpack the unit, and dispose of the packaging material.

-INSPECTION NOTE-

Visually inspect the unit for damages prior to installation. If the equipment was damaged in transit, immediately report the extent of the damage to the transportation company.

2.2. Following and Using Safety Precautions

Read the following site and safety tips, cautions, and warnings, then proceed with the paragraphs that follow.

- Read all instructions, warnings and cautions on the equipment and in the documentation shipped with the product.
- Do not place this product on weak or unstable surfaces which may allow the product to fall, resulting in potentially serious damage(s) to persons or product.
- Only authorized trained personnel shall install the kit.
- In windy conditions, be sure to engage the door latch to secure the door in a stationary position.

2.3. Obtaining Tools and Equipment

Obtain the following recommended or needed items for installing the kit.

- Protective and/or insulated work gloves
- Safety glasses
- Slotted, hex, and Phillips screwdrivers
- Torque wrench

2.4. Mounting the Kit

2.4.1. Torque Requirements

Torque all hardware as shown below (unless otherwise noted). These values apply to SAE Grade 1 & 2 Low Carbon Steel, ASTM A307 Low Carbon Steel, and Stainless Steel Grade 18-8.

| Thread Size | In-lbs | Ft-lbs |
|-------------|---------|---------|
| 4-40 | 4±10% | |
| 6-32 | 8±10% | |
| 8-32 | 16±10% | |
| 10-32 | 26±10% | |
| 12-24 | 50±10% | |
| 1/4-20/M6 | 60±5% | 5±5% |
| 5/16-18 | 125±5% | 10.4±5% |
| 3/8-16 | 180±5% | 15.0±5% |
| 1/2-13 | 500±2% | 41.7±2% |
| 5/8-11 | 1000±1% | 83.3±1% |

2.4.2. Mount the Kit Assembly on the CUBE Door

See Figure 2 and 3. For clarity, only the CUBE door and kit are shown.

1. The HVAC unit is affixed to the CUBE door with multiple screws down either side of the unit. The screws are accessed from the inside surface of the CUBE door. Remove the two bottom-most screws from either side of the HVAC.
2. Position the kit over these four mounting holes.

NOTE: If mounting the 97-VAK3000LAPTR, then the lower end of the laptop tray mounting bracket must slide into place behind the cross brace shown in Figure 2. The back of the cross brace has grooves that accommodate the lap top tray.

3. Use the four HVAC screws to secure the kit in position.

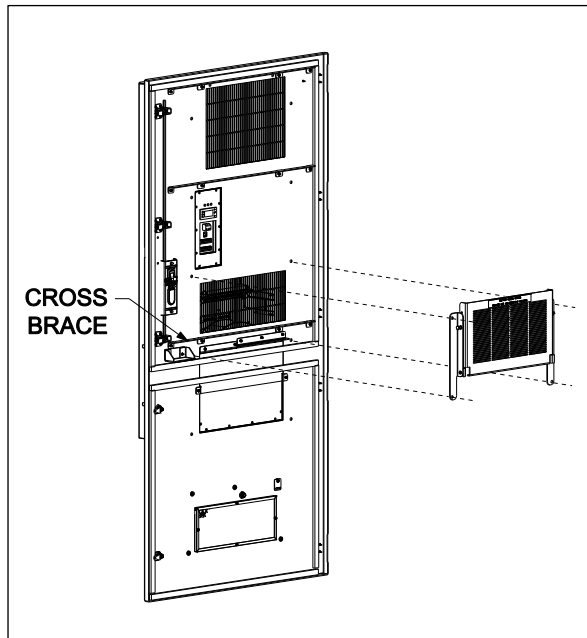


Figure 2 97-VAK3000LAPTR Mounting Location

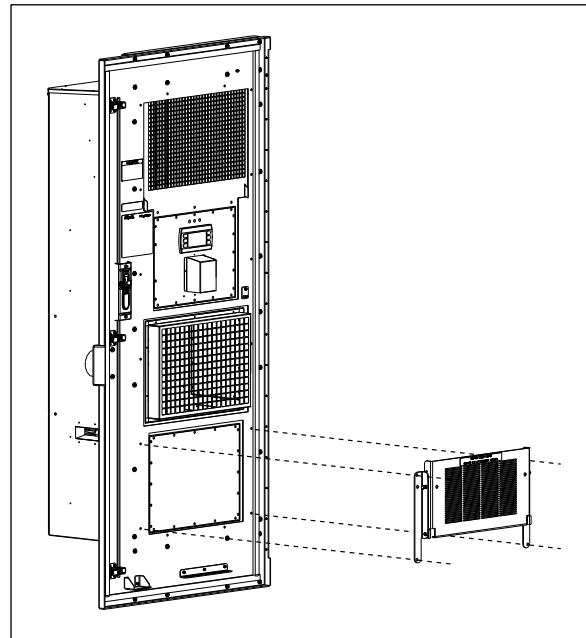


Figure 3 97-VAK4000LAPTR Mounting Location

2.5. Operating the Laptop Tray

The tray has a pair of plungers on either side, near the top. When the kit is securely mounted on the CUBE door, press both plungers inward and lower the tray downward 90°. To close the tray, raise it into its original position until it locks in place.

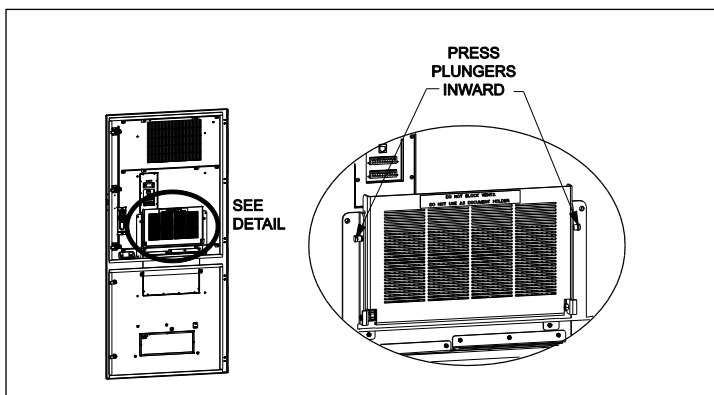


Figure 4 Plungers

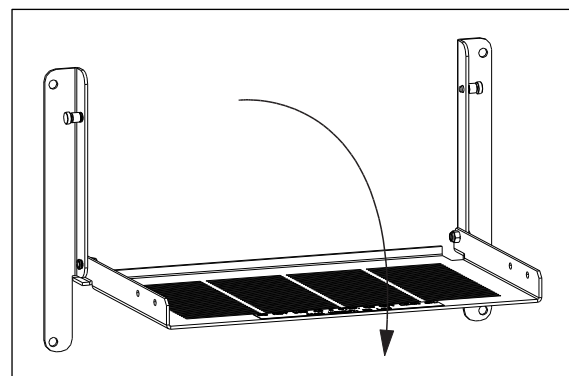


Figure 5 Lower Tray

3. TECHNICAL ASSISTANCE AND REPAIR SERVICE

For questions on product repair or if technical assistance is required, contact Charles Technical Support.

847-806-8500
techserv@charlesindustries.com (email)
<http://www.charlesindustries.com/techserv.htm>

4. WARRANTY & CUSTOMER SERVICE

Charles Industries LLC offers a one-year warranty on the kit product. The Charles warranty is limited to the operation of the kit hardware as described in this documentation and does not cover equipment which may be integrated by a third party. The terms and conditions applicable to any specific sale of product shall be defined in the resulting sales contract. For questions on warranty or other customer service assistance, contact your Charles Customer Service Representative.

847-806-6300
mktserv@charlesindustries.com (email)
http://www.charlesindustries.com/main/telecom_sales_support.htm

5. SPECIFICATIONS

| Physical | |
|----------------|------------------|
| Weight | Less than 5 lbs. |
| Materials | 0.125" aluminum |
| Color | Off-white |
| Touch-up Paint | 02-000290-0 |

Table 1 CUBE Specifications