

Versatile Buried Enclosures for Fiber or RF Access Equipment

Amphenol Charles Industries' B05 & B06 Series Vertical Pedestals provide mounting facilities and security for fiber taps, larger fiber terminals, optical nodes, line extenders, mini-amplifiers and RF passive components used in today's Fiber-to-the-Home or coaxial based access networks. The pedestal is engineered with a self-supporting base for direct-bury installations without the need for a mounting stake. Internal mounting bracket options accommodate the installation of various access equipment.

The B-series pedestal has a rectangular shaped dome profile providing sufficient space for handling larger coaxial and fiber equipment, multiple interconnected components and cable slack storage. The B-series is offered in two pedestal heights (B05 has 24" dome, B06 has 30" dome), providing deployment flexibility to match the needs of the equipment and the esthetics of the deployed environment. The dome includes a self-latching lock feature to reduced chance of being left unlocked. These pedestals are molded from a polyethylene resin specifically designed for outside plant environments, resisting impact, ultraviolet and environmental degradation.

MARKETS SERVED:

- Telecom / FTTX
- Utility
- Wireless
- Broadband Cable



B06 - 30" Dome

B05 - 24" Dome

FEATURES

- Molded of polyethylene (PE) with ultraviolet U/V inhibitors to provide impact resistance, color stability and long-life
- Standard housing color is light green and also available in dark green
- Available with unvented and vented dome
- Self-latching, dome locking system reduces unlocked pedestals and unwanted access
- Hex-head locking bolt for use with standard 7/16" CAN or terminal wrench
- Stake-less, self-supporting in-ground base
- Molded-in ground line for consistent installations

Internal Bracket

Equipment Mounting Stake
(Option 000)



Offset Fiber Brackets with
Strand Mount "C-" Bracket
(Option 017)



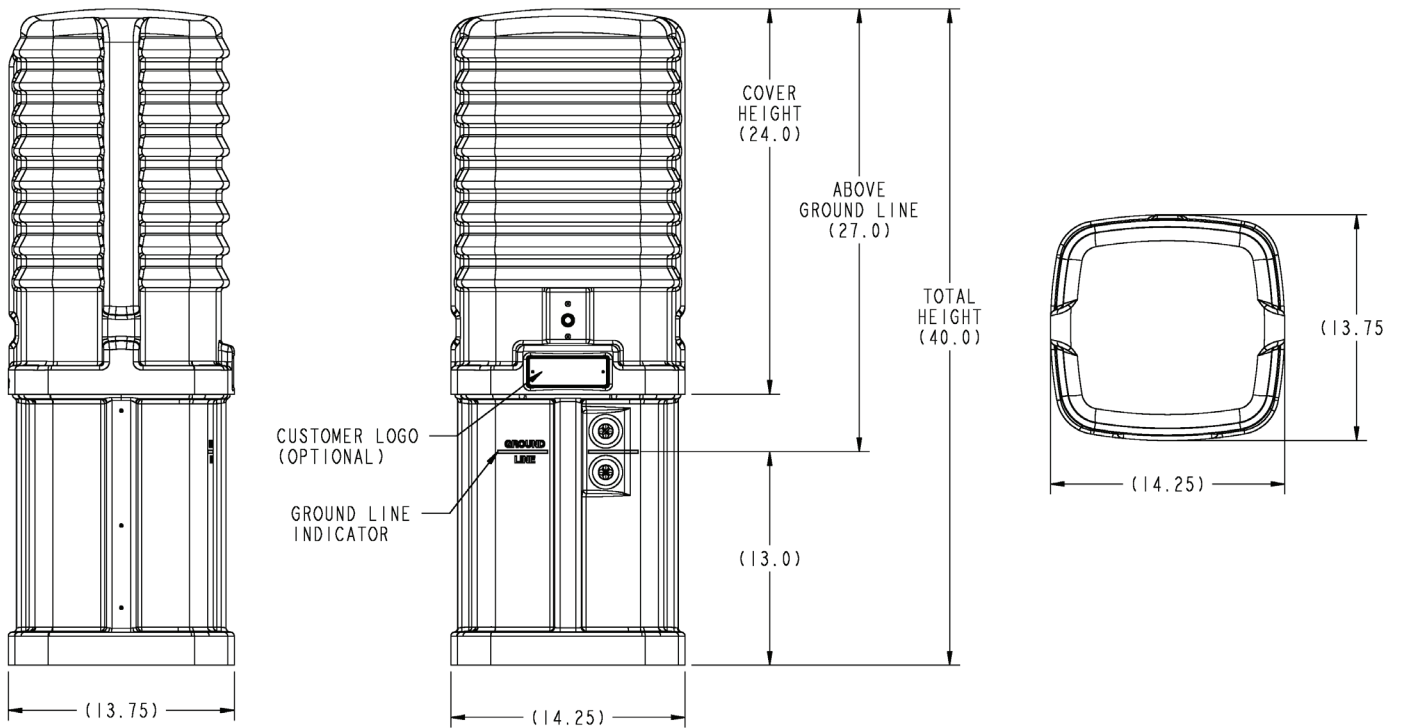
Universal Backboard for
Fiber Terminals
(Option 012)



Pedestal Dimensions

B05 Series Dimensions

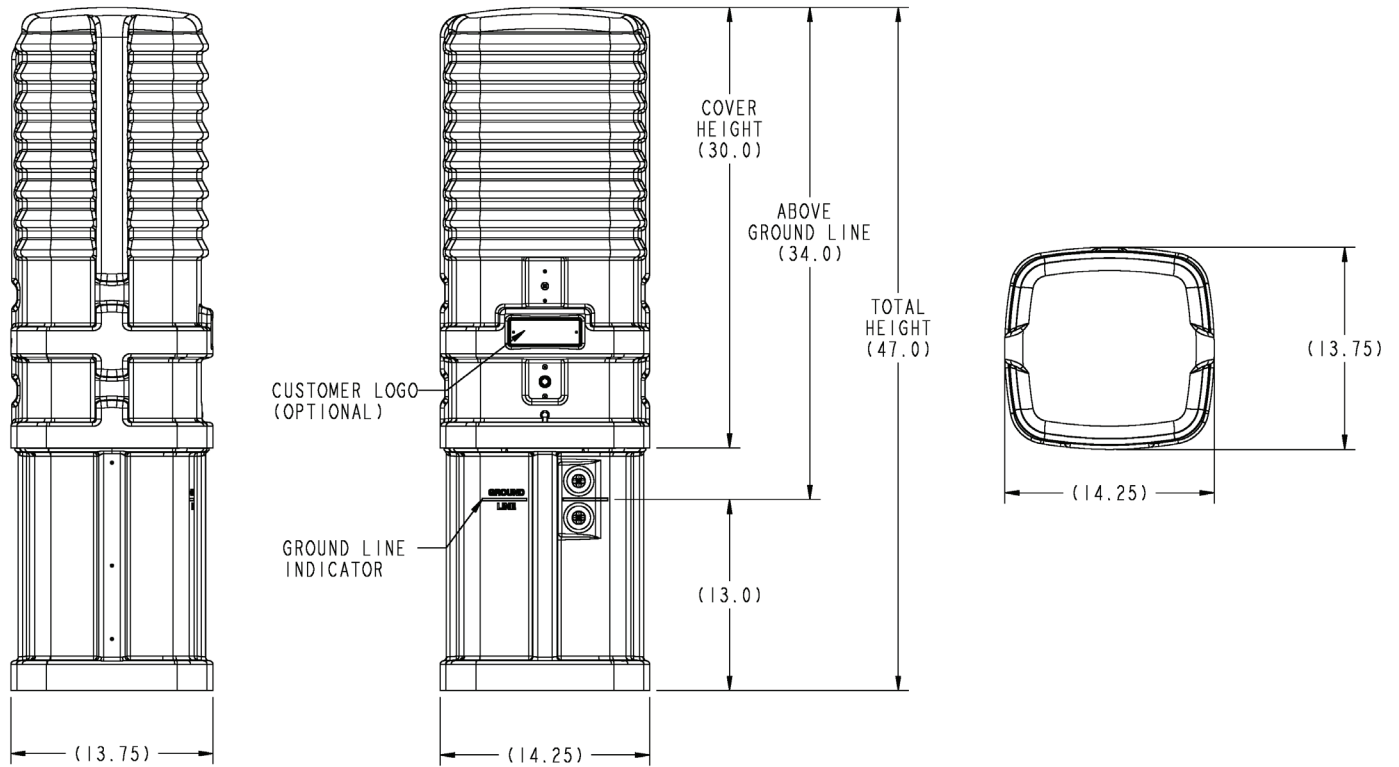
All dimensions are in inches



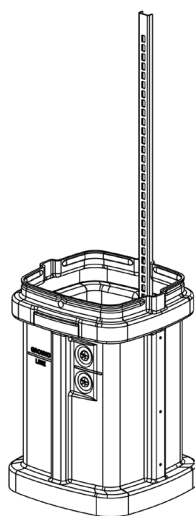
Pedestal Dimensions

B06 Series Dimensions

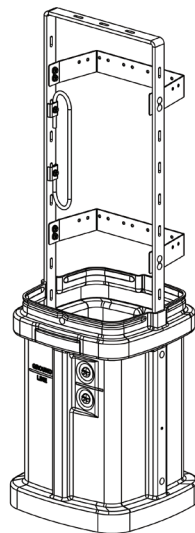
All dimensions are in inches



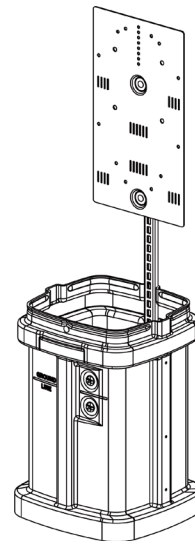
B05/B06 Series Bracket Options



Bracketry
Code 000



Bracketry
Code 017



Bracketry
Code 012

Ordering Information

B05 Series — 24"H dome

<u>Part Number</u>	<u>Description</u>	<u>Pallet Qty.</u>
B05SS07-20000BK	Hex-head lock, light green housing, equipment mounting stake	12
B05SS07V20000BK	Vented dome, hex-head lock, light green housing, equipment mounting bracket	12
B05SS07-20017BK	Hex-head lock, light green housing, offset fiber brackets with Strand Mount "C-" bracket	12
B05SS07V20017BK	Vented dome, hex-head lock, light green housing, offset fiber brackets with Strand Mount "C-" bracket	12

B06 Series — 30"H dome

<u>Part Number</u>	<u>Description</u>	<u>Pallet Qty.</u>
B06SS07-20000BK	Hex-head lock, light green housing, equipment mounting bracket	12
B06SS07V20000BK	Vented dome, hex-head lock, light green housing, equipment mounting bracket	12
B06SS07-20017BK	Hex-head lock, light green housing, offset fiber brackets with Strand Mount "C-" bracket	12
B06SS07V20017BK	Vented dome, hex-head lock, light green housing, offset fiber brackets with Strand Mount "C-" bracket	12
B06SS07-21012BK	Hex head lock, light green housing, universal backboard for fiber terminals including Charles FSDC, CFIT-SL, and CommScope OFDC and OTE300	12

Standard housing color is light green and also available in dark green. Contact Charles for availability.




Charles Industries, LLC

An Amphenol Company

1450 American Lane, 20th Floor, Schaumburg, IL 60173

 mkt serv@charlesindustries.com

 (847) 806-6300

