

Charles Walk-In Cabinet (WIC)

Thermally Regulated Walk-In Cabinet for Remote Base Stations

A lighter weight alternative to concrete shelters, the WIC provides the ability for remote site installation with no maintenance. With the use of the Charles Thermal Management System (CTMS) as the closure's main thermal system, the WIC offers energy savings over current concrete buildings and huts.



Specifications:

Construction: 12 GA Steel Welded Construction, Cool White Finish
 Mounting Style: Helical/Pad or Platform Mount Enclosure
 Thermal Management: (4) 6,000 watt Charles Thermal Management Systems (CTMS) each equipped with 500 watt Heater
 (1) Intelligent Vent System (IVS)
 (1) Optional 10,000 BTU DC Powered HVAC
 Door Latching: Keyless Entry Handle in Front
 Equipment Racks: Supports (4) 26"W x 84"H Racks
 Cable Entrance: Up to (32) Top Entry Cable Ports, (8) populated
 (2) Optional ports for DC Generator Cable Entry
 (4) Bottom Entry 24-Port Roxtec
 (2) GPS antenna entry ports, (1) on each side
 (3) 3" Knockouts on rear serve as entry for rear exterior mounted Raycap units
 Alarms: Door Intrusion, High Temperature, Thermal System Failure
 Other: Laptop Tray / Document Holder
 DC Interior / Exterior Lights
 12" Cable Ladder above Racks, Convenience Outlet

AT&T NESC ID	Description
ERNSB10x10WIC-01	NSB 10'x10' Walk-in Cabinet (WIC) Fully Configured Ericsson RAN
NONSB10x10WIC-01	NSB 10'x10' Walk-in Cabinet (WIC) Fully Configured Nokia RAN

Kit Part Number	AT&T CEQ	Description
97-MICWVPRKIT	CEQ.46671	(2) Kits of Four Microwave Cable Entry Ports Installed on Mounting Plate. Can be installed in multiple positions around the WIC. (8) total Microwave Entries
97-9CBLPORTKIT	CEQ.46663	(2) Kits of Four Cable Entry Ports Supporting (9) .605 cables Installed on Mounting Plates. Can be installed in multiple positions around the WIC. (8) total Entries
97-DCGENPORTKIT	CEQ.46636	(2) DC Generator Cable Ports Installed on Mounting Plate
97-1010WICSTRKT	CEQ.46634	Stair Kit. Used only when direct mounting on Concrete Pad

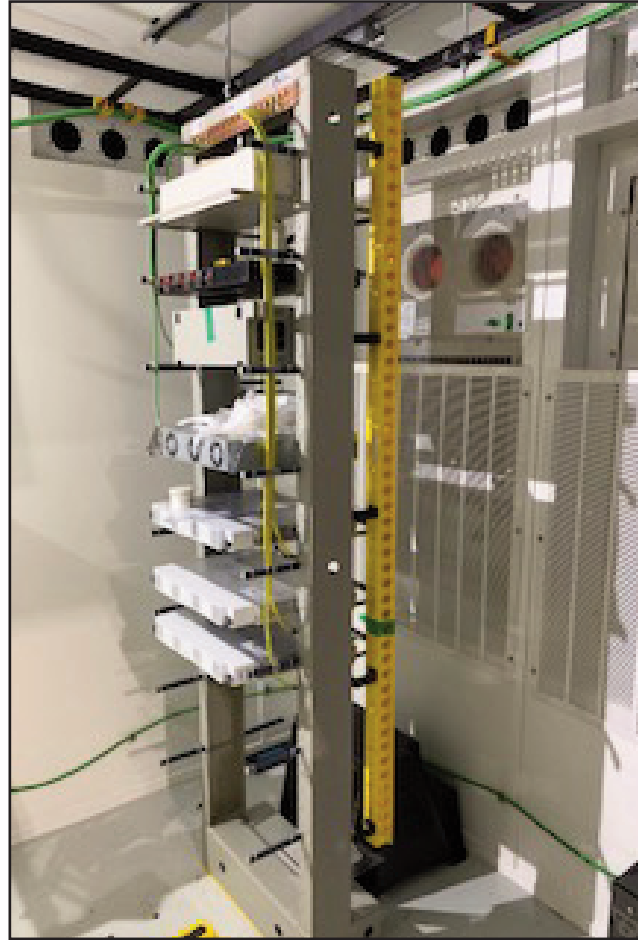
Charles Walk-In Cabinet (WIC)

Thermally Regulated Walk-In Cabinet for Remote Base Stations

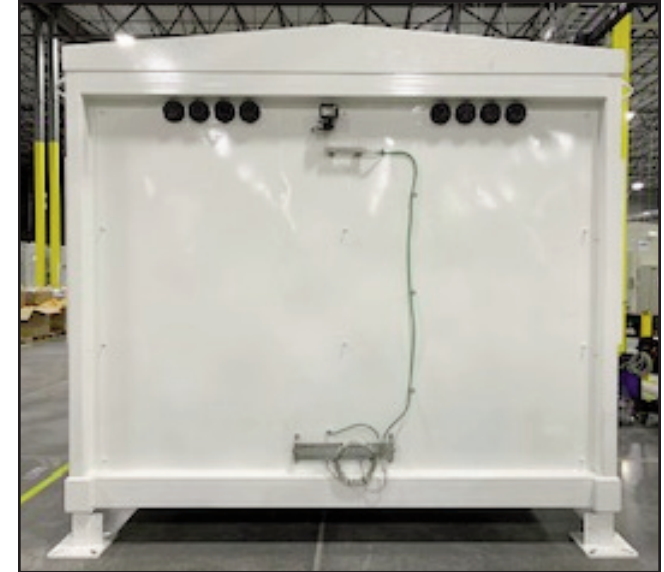
WIC PHOTOS



On-Site Crane Installation



Interior View - Ericsson Racks



Rear View



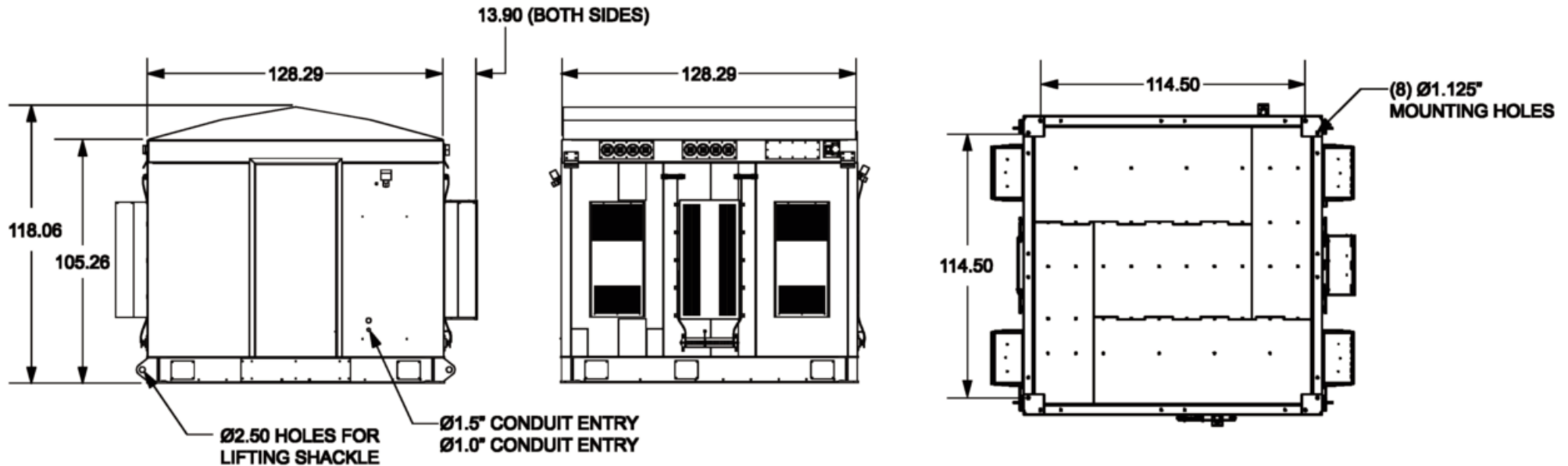
Side View

Charles Walk-In Cabinet (WIC)

Thermally Regulated Walk-In Cabinet for Remote Base Stations

WIC DIMENSIONS

All dimensions given in inches



Approx. Dimensions: 10"H x 10"W x 10"D

Approx. Weight: 7850 lbs. without equipment racks
13,850 lbs. with equipment racks

Ventilation System: Charles IVS, 83-008367-0, -48VDC

Bonding & Grounding: 12 and 24 position ground bars on the sides and rear (external)
46 position master ground bar on rear wall (internal)

Operating Temp. Range, Outside Enclosure: -40° to +115°F, -40° to 46°C

Operating Temp Range, Inside Enclosure: -40° to +131°F, -40° to 55°C

Humidity: 0 to 95% (non-condensing)

Altitude: Up to 2,000 meters (6560 feet)

Prepared for



May 2022

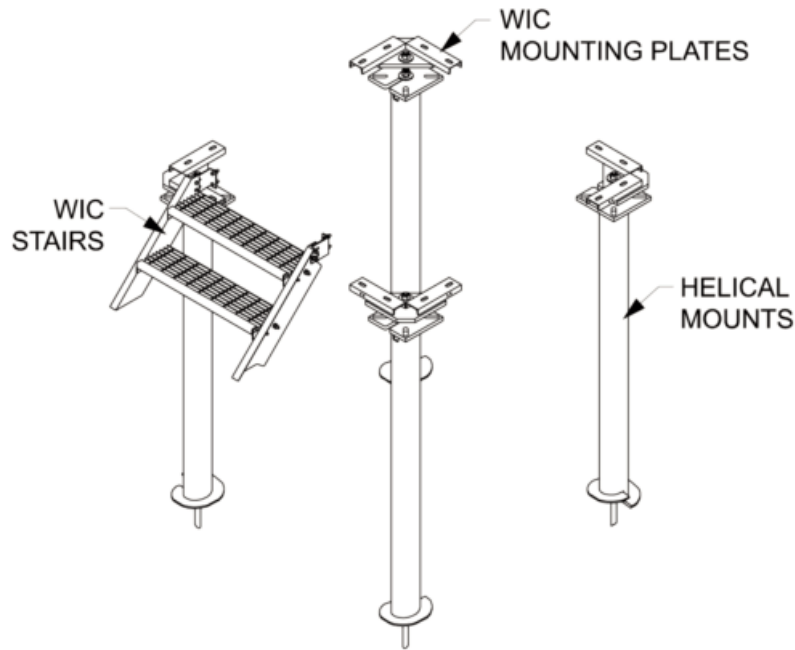
OG-OSP070-E22

Charles Walk-In Cabinet (WIC)

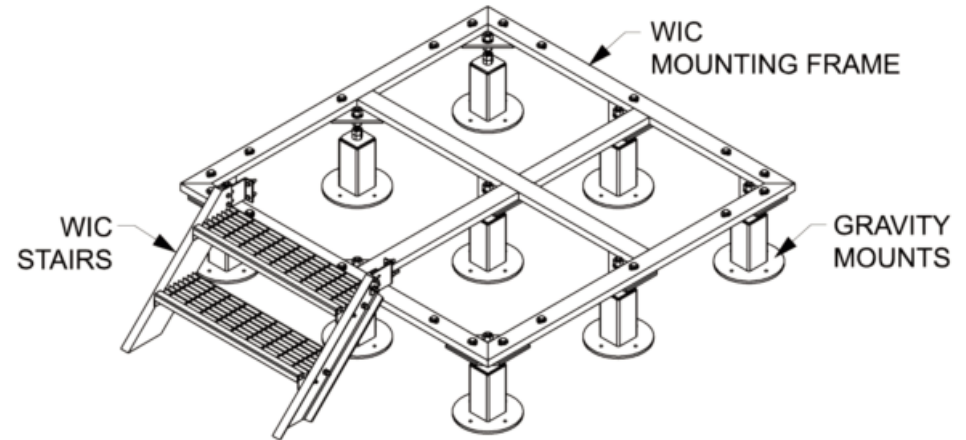
Thermally Regulated Walk-In Cabinet for Remote Base Stations

WIC MOUNTING KITS

Kits are ordered directly from Electro Mechanical Industries, Inc. (EMI). <https://www.emiproducts.com> • 1-800-453-0050



EMI Helical Mounting Kit



EMI Gravity Mounting Kit

Mounting Kit Accessories available directly from EMI (<https://www.emiproducts.com>):

Mount Part Number	AT&T CEQ	Description
1000-0000-0162	CEQ.46388	Charles Industries 10'x10' WIC Gravity Mount Frame with 9 Gravity Supports and 2 Step Stair
1000-0000-0101	CEQ.19785	Screw Pile Foundation, QTY(4), Base Plates for (4) Corners, 2 Step Stair and Leveling Hardware
D1007-0000-0012	CEQ.20061	WIC Concrete Pad extensions (all 4 corners) 6"x11" Plates and 4-Bolt Leveling Hardware Kit

Prepared for



May 2022