



LUMEN[®]

Pedestal and Enclosure Ordering Catalog - LUMEN

This guide is designed to provide Lumen employees with the orderable product codes for copper and fiber pedestals.

05/25/2021

TABLE OF CONTENTS

COPPER PEDESTALS

- **CPLU SERIES - COPPER TERMINAL & SPLICE STORAGE**
- **CPLS SERIES - PEDESTALS FOR COPPER SPLICE STORAGE**

FIBER PEDESTALS

- **BDO SERIES - FOR SEALED FIBER TERMINAL BLOCKS**
- **BDO SERIES - FOR SEALED FIBER TERMINAL BLOCKS, SPLICED**
- **BDO SERIES - SC CONNECTORIZED, SPLICED**
- **CFDP SERIES - SC CONNECTORIZED, SPLICED**

CMPH SERIES – MULTI-PURPOSE HOUSINGS

- **STORING SEALED FIBER SPLICE CASES AND CABLE SLACK**
- **STORING COPPER SPLICES**
- **MULTI-TENANT CELL SITE HAND-OFFS**
- **STORING FIBER TERMINAL ENCLOSURE**

CUBE SERIES - METALLIC PEDESTALS

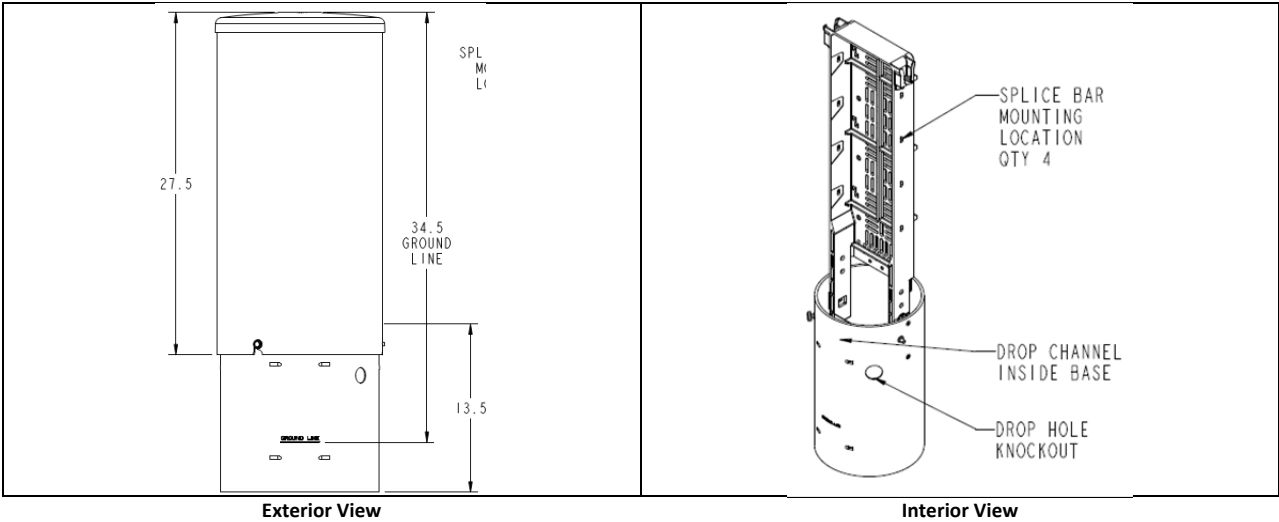
- **FOR COPPER OR FIBER SLACK STORAGE**

KITS, REPLACEMENT PARTS AND ACCESSORIES

CPLU SERIES PEDESTALS FOR COPPER TERMINAL & SPLICE STORAGE

Enclosure designed to accommodate a copper terminal block with copper splice storage in OSP telecommunication networks.

CPLU 6 = 6" pedestal -
CPLU 8 = 8" pedestal
CPLU10 = 10" pedestal



Exterior Diameter (at dome cap)	CPLU 6 = 7.3 inches CPLU 8 = 9.1 inches CPLU 10 = 11.7 inches
--	--

Copper Splice Capacity

Pedestal Type	Spliced Pairs
CPLU 6	350
CPLU 8	500
CPLU 10	900

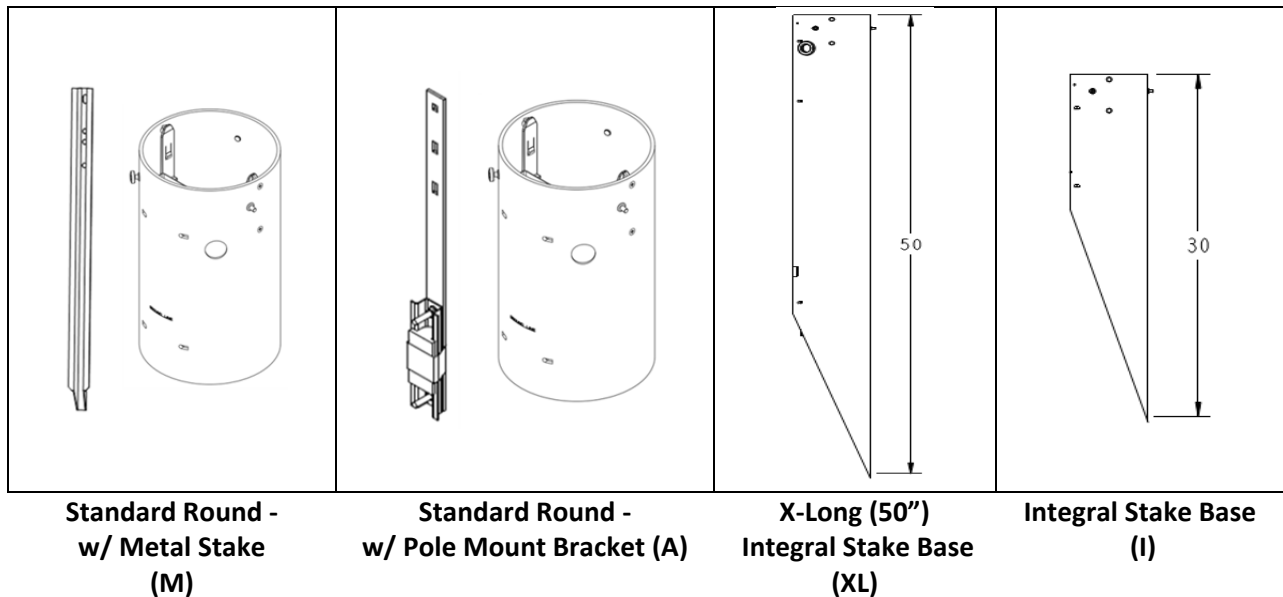
ORDERING CODES & INCLUDED COMPONENTS - CPLU (COPPER TERMINAL + SPLICE STORAGE)

CHARLES PART NUMBER*	LUMEN MATCODE	KG P PID	PEDESTAL SIZE	ROUND BASE W/ 30" METAL STAKE	ROUND BASE W/ POLE MOUNT BRACKET	INTEGRAL STAKE BASE 30"	INTEGRAL STAKE BASE X-LONG 50"
6-INCH							
CPLU 6M/CL	1345268	0000476009	6	X			
CPLU 6A/CL	1345266	0000476007	6		X		
CPLU 6-I/CL	1345267	0000476008	6			X	
CPLU 6-XL/CL	1345269	0000476010	6				X
8-INCH							
CPLU 8M/CL	1345292	0000476013	8	X			
CPLU 8A/CL	1345290	0000476011	8		X		
CPLU 8-I/CL	1345291	0000476012	8			X	
CPLU 8-XL/CL	1345293	0000476014	8				X
10-INCH							
CPLU10M/CL	1345296	0000476017	10	X			
CPLU10A/CL	1345294	0000476015	10		X		
CPLU10-I/CL	1345295	0000476016	10			X	
CPLU10-XL/CL	1345297	0000476018	10				X

* ALL OF THE ABOVE PEDESTALS INCLUDE UNIVERSAL TERMINAL BACKBOARD, 2 SPLICE BARS, BOND BAR, 5 D-CLIPS, DROP CHANNEL WITH FOAM PLUG, MOISTURE BARRIER SHEET, AND KNOCK-OUT FOR TEMPORARY DROP WIRE

Splice (ladder) bars can be positioned to accommodate various length cable stubs. Additional splice (ladder) bars can be ordered as accessories, where required.

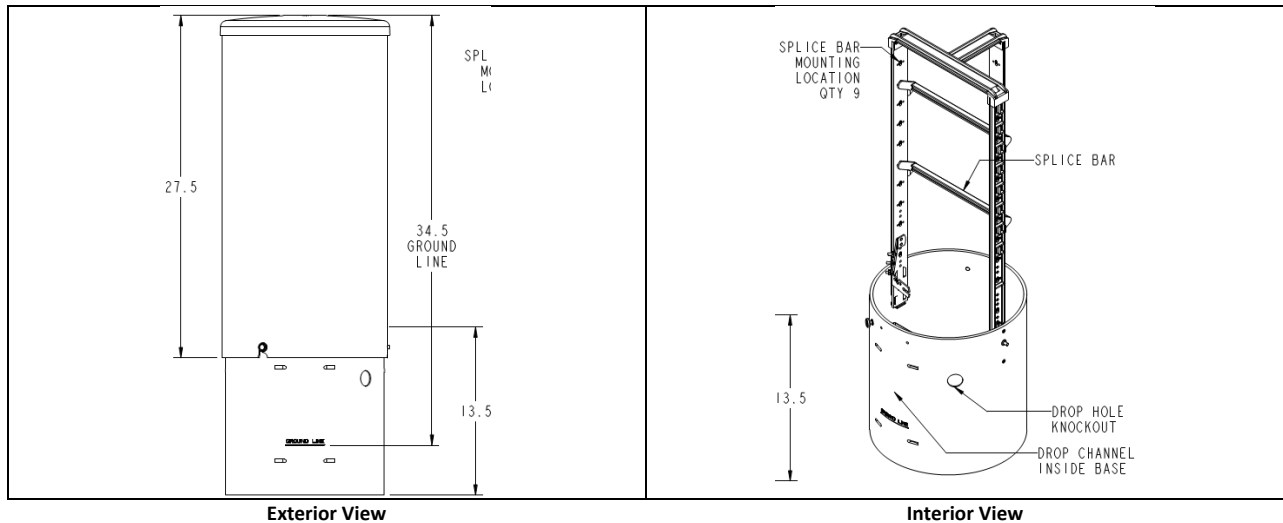
LEGEND – BASE TYPE



CPLS SERIES PEDESTALS FOR COPPER SPLICE STORAGE

Enclosure designed to store copper splices in OSP telecommunication networks.

CPLS12 = 12" pedestal
CPLS14 = 14" pedestal



Exterior Diameter (at dome cap)

CPLS 12 = 13.6 inches
CPLS 14 = 14.8 inches

Copper Splice Capacity

Pedestal Type	Spliced Pairs
CPLS 12	1350
CPLS 14	2400

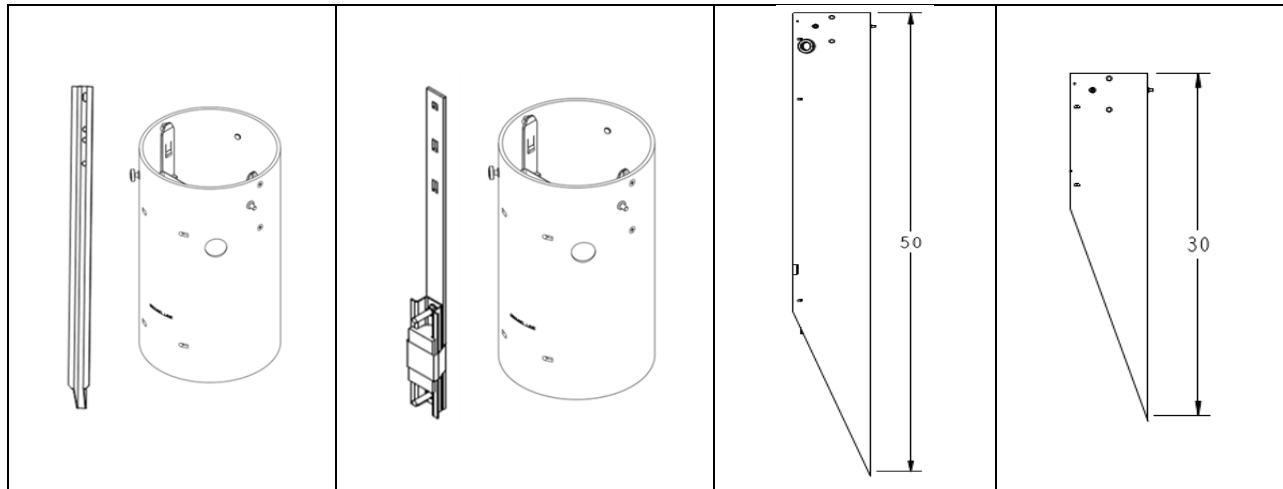
ORDERING CODES & INCLUDED COMPONENTS - CPLS (COPPER SPLICE STORAGE)

CHARLES PART NUMBER*	LUMEN MATCODE	KGP PID	PEDESTAL SIZE	ROUND BASE W/ 30" METAL STAKE	ROUND BASE W/ POLE MOUNT BRACKET	INTEGRAL STAKE BASE 30"	INTEGRAL STAKE BASE X-LONG 50"	REHAB / SPLIT ROUND BASE W/ 30" METAL STAKE
12-INCH								
CPLS12M/CL	1339076	0000463869	12	X				
CPLS12A/CL	1339075	0000463868	12		X			
CPLS12-I/CL	1339073	0000463866	12			X		
CPLS12-XL/CL	1339074	0000463867	12				X	
14-INCH								
CPLS14M/CL	1339084	0000463877	14	X				
CPLS14A/CL	1339083	0000463876	14		X			
CPLS14-I/CL	1339081	0000463874	14			X		
CPLS14-XL/CL	1339082	0000463875	14				X	

* ALL OF THE ABOVE PEDESTALS INCLUDE S-BRACKET WITH 2 SPLICE BARS, BOND BAR, DROP CHANNEL WITH FOAM PLUG, MOISTURE BARRIER SHEET, AND KNOCK-OUT FOR TEMPORARY DROP WIRE

Splice (ladder) bars are repositionable to accommodate various length cable stubs. Additional splice (ladder) bars can be ordered as accessories, where required.

LEGEND – BASE TYPE

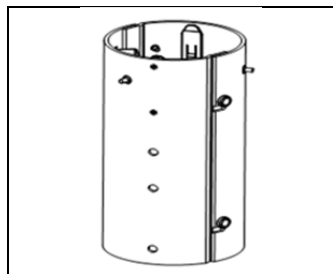


Standard Round - w/ Metal Stake (M)

Standard Round - w/ Pole Mount Bracket (A)

X-Long (50") Integral Stake Base (XL)

Integral Stake Base (I)



Rehab (split) Base (R)

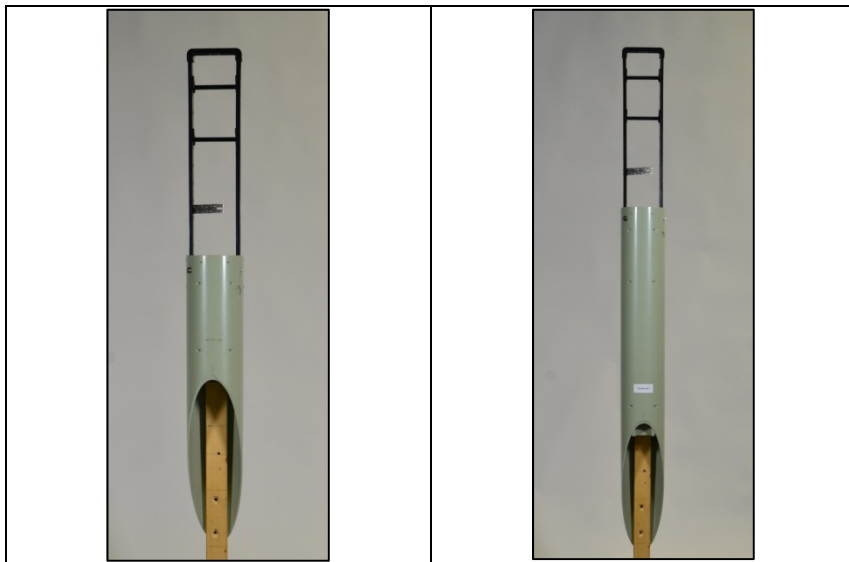
PEDESTAL PHOTOS (REFERENCE): CPLS 6" Diameter Pedestal shown



CPLS 6-M/CL
In-ground base with Universal Mounting Stake

CPLS 6A/CL
In-ground base with Pole Mount Bracket

CPLS 6RM/CL
In-ground rehab split base with Universal Mounting Stake



CPLS 6-I/CL
Integral Stake Base (30")

CPLS 6-XL/CL
Integral X-Long Stake Base (50")

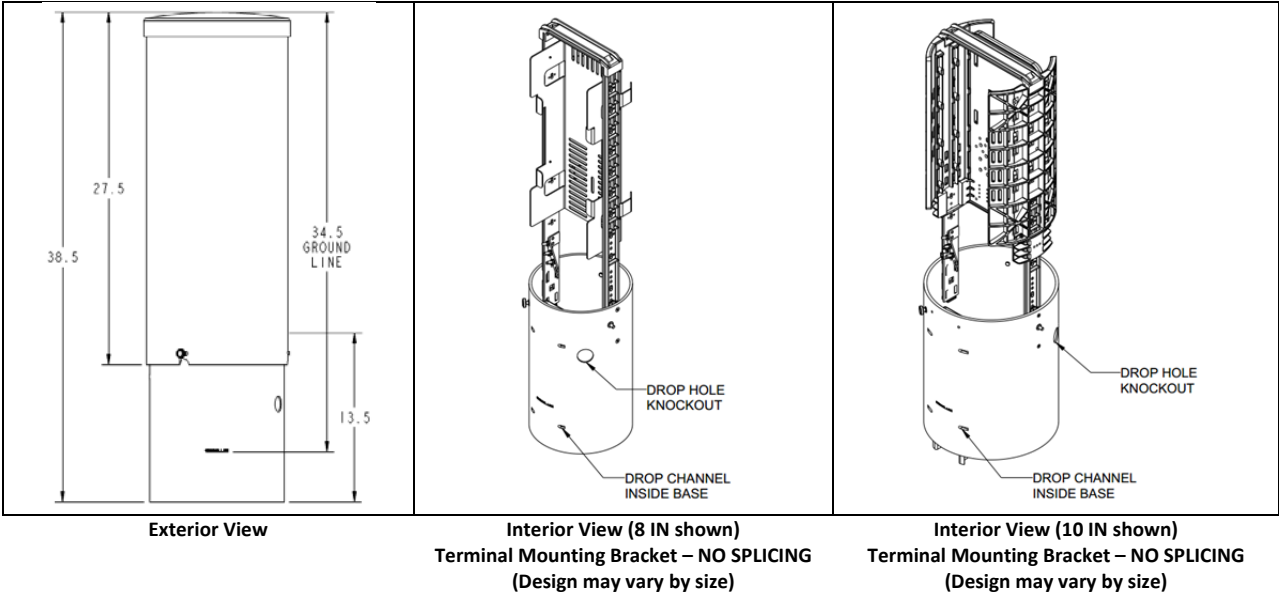
BDO SERIES - FOR SEALED FIBER TERMINAL BLOCKS – LONG TAIL, NO SPLICING –

Enclosure designed to house a sealed fiber terminal block and drop fiber cable slack. This version of pedestal does not support fiber splicing.

BDO 4 = 8" pedestal
BDO 5 = 10" pedestal
BDO 6 = 12" pedestal
BDO 7 = 14" pedestal



**TERMINAL PEDESTAL W/SQUARE BASE
 (TERMINAL BLOCK NOT INCLUDED.
 DESIGN MAY VARY BY SIZE)**



Exterior Diameter (at dome cap)	BDO 4 = 9.1 inches BDO 5 = 11.7 inches BDO 7 = 14.8 inches
--	---

FIBER CABLE SLACK STORAGE

Pedestal Type	Drop cable slack capacity - front storage*	Feed cable Slack – Rear storage*
BDO 4 (8") – Not incl. low profile	100 feet (total)	25 feet
BDO 5 (10")	200 feet (total)	50 feet
BDO 7 (14")	250 feet (total)	75 feet

* Total of all cables

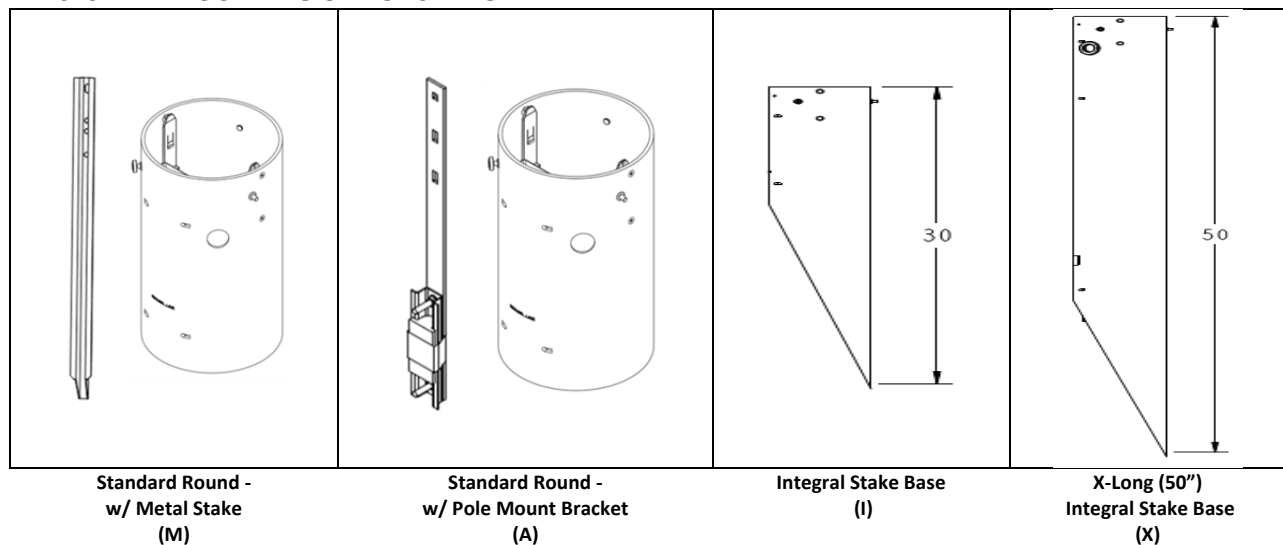
ORDERING CODES & INCLUDED COMPONENTS:

For Terminal Blocks – no splicing in pedestal

CHARLES PART NUMBER*	LUMEN MATCODE	KGP PID	PEDESTAL SIZE	ROUND BASE W/ 30" METAL STAKE	ROUND BASE W/ POLE MOUNT BRACKET	INTEGRAL STAKE BASE 30"	INTEGRAL STAKE BASE X-LONG 50"
8-INCH							
BDO 40TM/CL	1339063	0000463856	8	X			
BDO 40TA/CL	1339062	0000463855	8		X		
BDO 4-IT/CL	1339060	0000463853	8			X	
BDO 4-XT/CL	1339061	0000463854	8				X
10-INCH							
BDO 50TM/CL	1339071	0000463864	10	X			
BDO 50TA/CL	1339070	0000463863	10		X		
BDO 5-IT/CL	1339068	0000463861	10			X	
BDO 5-XT/CL	1339069	0000463862	10				X
14-INCH							
BDO 70TM/CL	1339080	0000463873	14	X			
BDO 70TA/CL	1339079	0000463872	14		X		
BDO 7-IT/CL	1339077	0000463870	14			X	
BDO 7-XT/CL	1339078	0000463871	14				X

* ALL OF THE ABOVE PEDESTALS INCLUDE TERMINAL BACKBOARD, LOWER TERMINAL BLOCK MOUNTING BRACKET, BOND BAR, DROP WIRE CHANNEL WITH FOAM PLUG, MOISTURE BARRIER SHEET, AND KNOCK-OUT FOR TEMPORARY DROP WIRE

BASES AND MOUNTING OPTIONS - LEGEND



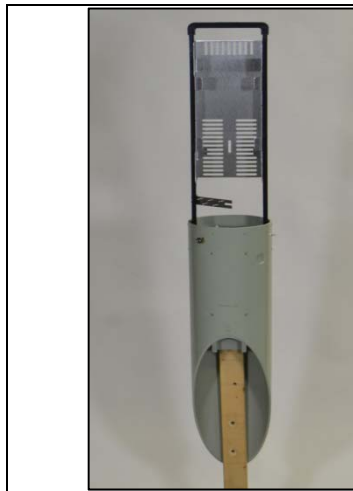
PEDESTAL PHOTOS (REFERENCE): BDO 8" Diameter Pedestal shown



BDO 4-OTM/CL
In-ground base with Universal Mounting Stake



BDO 4-OTA/CL
In-ground base with Pole Mount Bracket



BDO 4-IT/CL
Integral Stake Base (30")



BDO 4-XT/CL
Integral X-Long Stake Base (50")

Vault Mount Low-Profile Terminal Pedestal

Pedestal designed to be installed on a handhole equipped with a cover designed for the 8” Charles square base pedestal. Lower profile enclosure for improved aesthetics.

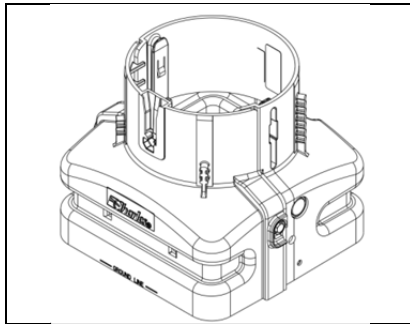
This version of pedestal **does not support** fiber splicing.

BDO 4 = 8” pedestal



**8” LOW-PROFILE TERMINAL PEDESTAL
W/VAULT MOUNT SQUARE BASE
(TERMINAL BLOCK AND HANDHOLE COVER NOT INCLUDED)**

BASES AND MOUNTING OPTIONS - LEGEND



**Vault Mount Expanded Square Base
(EV)**

FIBER CABLE SLACK STORAGE

CHARLES PART NUMBER	DROP CABLE SLACK CAPACITY - (FRONT STORAGE)*	FEED CABLE SLACK CAPACITY – (REAR STORAGE)
BDO 4-EVTLP (8”)	Limited	Not supported

ORDERING CODES & INCLUDED COMPONENTS:

CHARLES PART NUMBER	LUMEN MATCODE	KGP PID	PEDESTAL SIZE	VAULT MOUNT BASE	COVER MOUNTING BRACKETS	FOAM MOISTURE PAD
BDO 4-EVTLP/CL	1345859	0000476192	8	X	X	X

This pedestal requires the use of a third-party handhole with a handhole cover including a cut-out for a Charles 8” square base pedestal (approximately 11” square). Reference handhole MATCODE 1188471. Consult with Lumen Technical Staff for other handhole models/sizes.

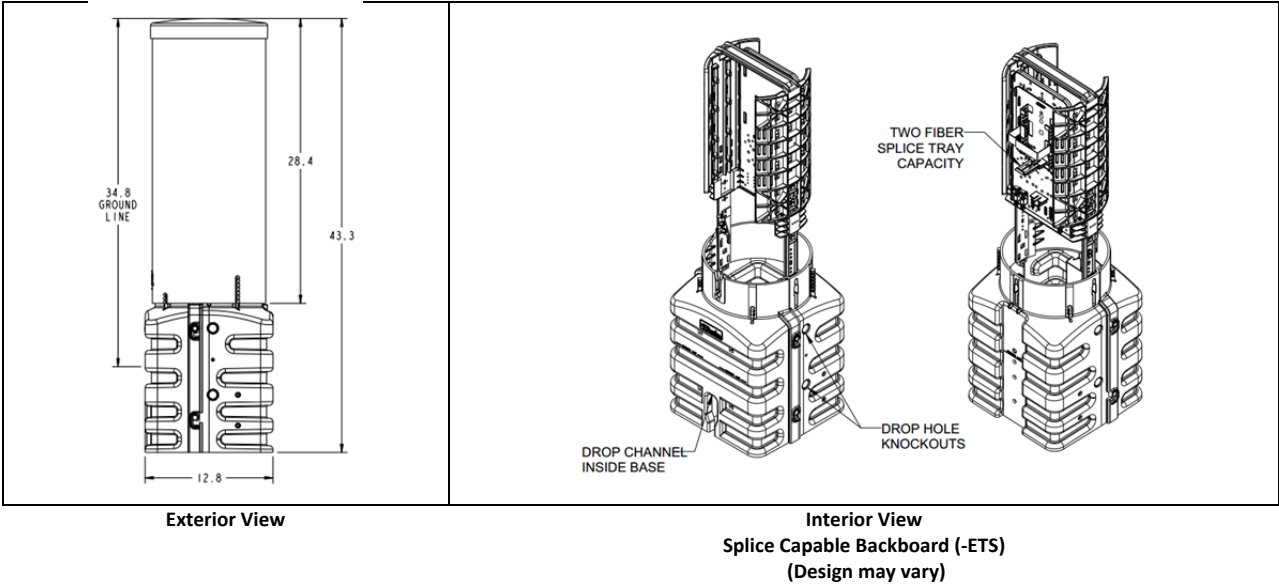
BDO SERIES - FOR SEALED FIBER TERMINAL BLOCKS – SPLICE CAPABLE –

Enclosure designed to house a 3RD party supplied sealed fiber terminal block, drop fiber cable slack and allows the use of a spliced in feed fiber cable.

BDO 5 = 10" pedestal



**SPLICE CAPABLE TERMINAL PEDESTAL W/SQUARE BASE
(TERMINAL BLOCK NOT INCLUDED – DESIGN MAY VARY)**



Exterior Diameter (at dome cap)	BDO 5 = 11.7 inches
--	----------------------------

ORDERING CODES & INCLUDED COMPONENTS:

CHARLES PART NUMBER	LUMEN MATCODE	KGP PID	PEDESTAL SIZE	SQUARE BASE W/ 30" METAL STAKE	COVER MOUNTING BRACKETS	FOAM MOISTURE PAD
BDO 5-ETSM/CL	1339072	0000463865	10	X	X	X

* ABOVE PEDESTAL INCLUDES TERMINAL BACKBOARD, BOND BAR, DROP WIRE CHANNEL WITH FOAM PLUG, MOISTURE BARRIER SHEET, AND KNOCK-OUT FOR TEMPORARY DROP WIRE. SPLICE TRAY ORDERED SEPARATELY (SEE BELOW)

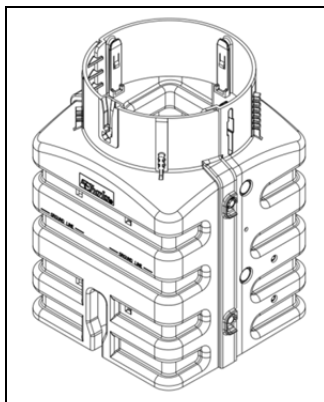
Splice Tray for BDO 5-ETSM/CL (orderable as an accessory item)

CHARLES PART NUMBER	LUMEN MATCODE	KGP PID	SPLICE CAPACITY (FIBERS)	SPLICE CHIPS	CABLE TIES	ADDRESS LABEL
97-FIBR24TRAY	1122364	0000373015	12 SINGLE FUSION (24 DOUBLE STACKED)	2	6	X

Third-party splice trays are supported.



BASES AND MOUNTING OPTIONS - LEGEND



Expanded Square Base
(E)

PEDESTAL PHOTOS (REFERENCE): BDO 8" Diameter Pedestal shown



BDO 5-ETSM/CL
SPLICE CAPABLE
(stakes and accessories not shown)

BDO SERIES SC CONNECTORIZED TERMINAL PEDESTAL – SPLICE CAPABLE

Pedestal enclosure designed for FTT-Premises deployments providing SC terminal interfaces. Supports loop-thru feed architecture and splice tray storage. Kitted with fiber pigtails or fanout and mounting stake.

- BDO205-EGT04/CL = 10" pedestal, 4 SC adapters
- BDO205-EGT06/CL = 10" pedestal, 6 SC adapters
- BDO205-EGT08/CL = 10" pedestal, 8 SC adapters
- BDO205-EGT12/CL = 10" pedestal, 12 SC adapters



BDO CFDP208-EL12 (left) AND CFDP12-EL24 (right)
INTERCONNECT SPLICE CAPABLE TERMINAL PEDESTALS

ORDERING CODES & INCLUDED COMPONENTS:

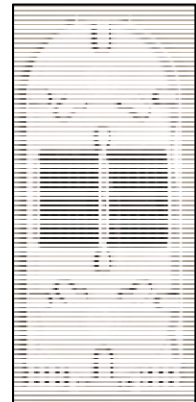
CHARLES PART NUMBER	LUMEN MATCODE	KGP PID	PED. SIZE	BULKHEAD ADAPTERS (POSITIONS / ADAPTER QTY)	FIBER COMPONENTS	SPLICE TRAYS INCLUDED	SQUARE BASE W/ 42" METAL STAKE	SPLICE TRAY CAPACITY
BDO205-EGT04/CL	1469262	0000544293	10"	12 / 4	4 SC/APC Pigtails	1	X	4 CO-side
BDO205-EGT06/CL	1469263	0000544294	10"	12 / 4	6 SC/APC Pigtails	1	X	4 CO-side
BDO205-EGT08/CL	1469264	0000544295	10"	12 / 4	8-Fiber Loose-tube Fanout	1	X	4 CO-side
BDO205-EGT12/CL	1469265	0000544296	10"	12 / 4	12-Fiber Loose-tube Fanout	1	X	4 CO-side

* ABOVE PEDESTAL INCLUDES, BOND BAR, 2 BOND BRAIDS, RIBBON D-CLIPS, DROP-WIRE CHANNEL WITH FOAM PLUG, MOISTURE BARRIER SHEET, AND KNOCK-OUT FOR TEMPORARY DROP WIRE. ADDITIONAL SPLICE TRAYS CAN BE ORDERED SEPARATELY, (SEE BELOW)

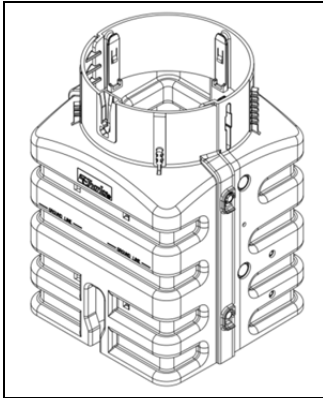
Splice Tray (accessory item)

CHARLES PART NUMBER	LUMEN MATCODE	KGP PID	SPLICE CAPACITY (FIBERS)	SPLICE CHIPS	CABLE TIES	ADDRESS LABEL
97-FIBR24TRAY	1122364	0000373015	12 SINGLE FUSION (24 DOUBLE STACKED)	2	6	X

Third-party splice trays are supported.



BASES AND MOUNTING OPTIONS - LEGEND



**Expanded Square Base
(E)**

CFDP SERIES – MULTI-TENANT TERMINAL SC CONNECTORIZED – SPLICE CAPABLE

Pedestal enclosure designed to provide SC terminal interfaces to multi-tenant applications. Supports loop-thru feed architecture and splice tray storage on either side of fiber organizer.

CFDP208-EL12U/Q = 8" pedestal, 12 SC bulkhead
CFDP12-EL24U/Q = 12" pedestal, 24 SC bulkhead



CFDP208-EL12 (left) AND CFDP12-EL24 (right)
INTERCONNECT SPLICE CAPABLE TERMINAL PEDESTALS

ORDERING CODES & INCLUDED COMPONENTS:

CHARLES PART NUMBER	LUMEN MATCODE	KGP PID	PEDESTAL SIZE	BULKHEAD ADAPTERS	SQUARE BASE W/ 42" METAL STAKE	SPLICE TRAYS INCLUDED (CAPACITY)	SPLICE TRAY CAPACITY
CFDP208-EL12U/Q	1164590	0000371461	8"	12-POSITION (12 GREEN AND 12 BLUE INCLUDED)	X	1	2 CO-side 4 Drop-side
CFDP12-EL24U/Q	1164589	8800001535	12"	24-POSITION (24 BLUE INCLUDED)	X	2	(8 CO-side 5 drop side)

* ABOVE PEDESTAL INCLUDES INTERCONNECT BACKBOARD, BOND BAR, RIBBON D-CLIPS & TUBING, BOND BRAIDS, DROP WIRE CHANNEL WITH FOAM PLUG, MOISTURE BARRIER SHEET, AND KNOCK-OUT FOR TEMPORARY DROP WIRE. ADDITIONAL SPLICE TRAYS CAN BE ORDERED SEPARATELY, (SEE BELOW)

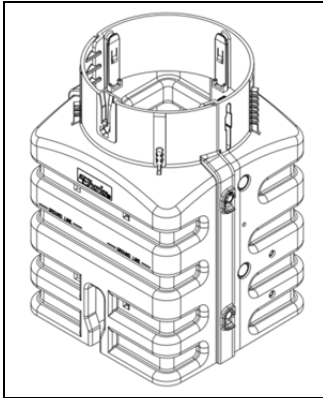
Splice Tray (accessory item)

CHARLES PART NUMBER	LUMEN MATCODE	KGP PID	SPLICE CAPACITY (FIBERS)	SPLICE CHIPS	CABLE TIES	ADDRESS LABEL
97-FIBR24TRAY	1122364	0000373015	12 SINGLE FUSION (24 DOUBLE STACKED)	2	6	X

Third-party splice trays are supported.



BASES AND MOUNTING OPTIONS - LEGEND



Expanded Square Base
(E)

CMPH SERIES - MULTI-PURPOSE ENCLOSURES

- FOR STORING SEALED FIBER SPLICE CASES AND CABLE SLACK
- FOR STORING COPPER SPLICES

Charles Multi-Purpose Housings (CMPH) are available in two configurations for storage of the following:

- 1) FIBER CONFIG: A sealed fiber splice closure (FOSC B-size or similar) and fiber cable slack (~50FT 48- to 96-fiber cables).
- 2) COPPER CONFIG: Copper splices (up to 2200 pairs)

Order two mounting stakes separately





CONFIGURATIONS:

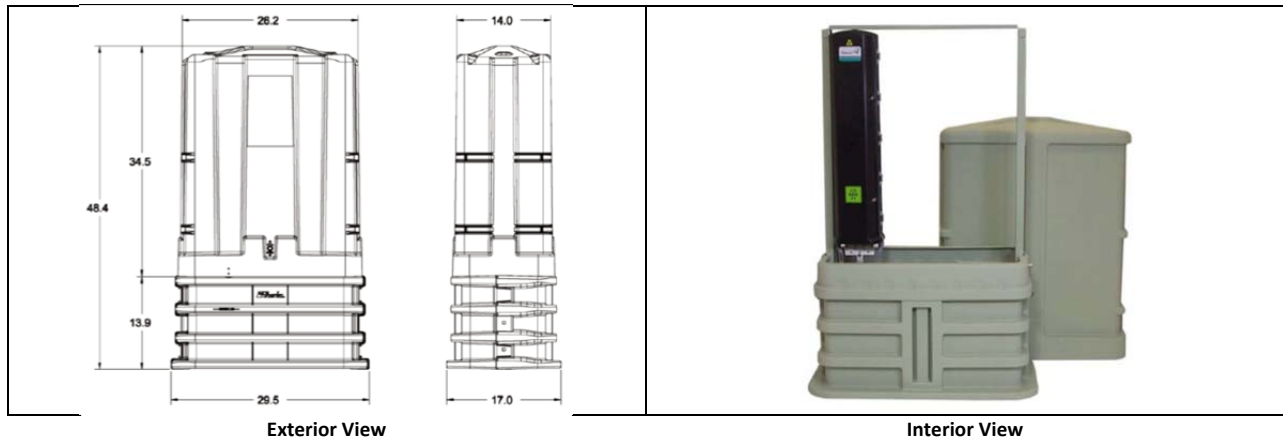
CHARLES PART #*	CONFIG.	LUMEN MATCODE	KGP PID	PEDESTAL SIZE	BRACKETS	BOND PLATE	MOSITURE BARRIER SHEET
CMPH-75SN/CL	COPPER	1358929	0000484099	12" x 24" x 48.5"	2 INSULATED LADDER BARS	5-POSITION	x
CMPH-75SFN/CL	FIBER	1358837	0000484098	12" x 24" x 48.5"	2 OFFSET FIBER BRACKETS	5-POSITION	x
PARTS BEING REPLACED BY ABOVE							
CMPH-75N/CL	COPPER	OBSOLETE (1344225)	0000222670	12" x 24" x 48.5"	2 INSULATED LADDER BARS	5-POSITION	x
CMPH-75FN/CL	FIBER	OBSOLETE (1344224)	0000222708	12" x 24" x 48.5"	2 OFFSET FIBER BRACKETS	5-POSITION	x

* Order two mounting stakes separately, UMS30-STD or equivalent. See accessories section for part numbers.

CMPH SERIES – MULTI-PURPOSE HOUSING ENCLOSURE FOR MULTI-TENANT CELL SITE HAND-OFFS

Above grade Charles Multi-Purpose Housing (CMPH) enclosure configured to provide up to three (3) 6" fiber interconnect terminal housings (towers); each equipped with an 8-position SC bulkheads (blue). Initial CMPH configuration is equipped with one (1) fiber tower (order towers 2 & 3 separately)

Order two mounting stakes separately



CONFIGURATION:


CHARLES PART #	CONFIG.	LUMEN MATCODE	KGP PID	PEDESTAL SIZE	BRACKETS	BOND PLATE	MOSITURE BARRIER SHEET
CMPH-SIT1/CL	FIBER – MULTI-TENANT HAND-OFFS	TBD	0000484100	12" x 24" x 48.5"	ONE (1) 6" FIBER ORGANIZER / TOWER	INTEGRATED INTO FIBER ORGANIZER	x

PARTS BEING REPLACED BY ABOVE

CMPH-IT1/CL	FIBER – MULTI-TENANT HAND-OFFS	1345860	0000475658	12" x 24" x 48.5"	ONE (1) 6" FIBER ORGANIZER / TOWER	INTEGRATED INTO FIBER ORGANIZER	x
-------------	--------------------------------	---------	------------	-------------------	------------------------------------	---------------------------------	---


Order two mounting stakes separately, UMS30-STD or equivalent. See accessories section for part numbers.

** Additional 6" fiber organizers (towers), part number BKPL206-ESL2T (MATCODE 1164585), can be added (up to 2 additional towers can be added to the CMPH-IT1).

	Charles Part #	MATCODE	Description
	CMPH-IT1/CL	1164587	<p>CMPH Housing</p> <ul style="list-style-type: none"> • Dome w/811 warning label - CenturyLink • Base with 3-position backplane mounting bracket • Moisture barrier sheet • Two 42" mounting stakes 6" CFDP Greenfield fiber backplane • 8-position SC bulkhead, 8 SC (blue) adapters • 4-position SC parking lot • Dual doors <ul style="list-style-type: none"> • CO-SIDE F1 Label + CenturyLink Logo Label • DROP-SIDE F2 Label + CUSTOMER NAME Label • Bond plate, 15 threaded studs with keps nuts, ground lug • 2 ground braids • 2 hose clamps • 2 fiber splice trays, each with 6 cable ties and address label • Ribbon transport tube

Initial Deployment Configuration for One Hand-off

Included Components

	Charles Part #	MATCODE	Description
	BKPL206-ESL2T	1164585	<p>6" CFDP greenfield fiber backplane</p> <ul style="list-style-type: none"> • 8-position bulkhead panel, 8 SC (blue) adapters • Dual-sided fiber basket with Velcro straps for one-side • Dual doors <ul style="list-style-type: none"> • CO-SIDE F1 Label + CenturyLink Logo Label • DROP-SIDE F2 Label + CUSTOMER NAME Label • Bond plate, 15 threaded studs with keps nuts, ground lug • 2 ground braids • 2 hose clamps • 1 fiber splice tray, 6 cable ties and address label • 3 transport tubes for ribbon fiber • 8 D-clips • Split tubing

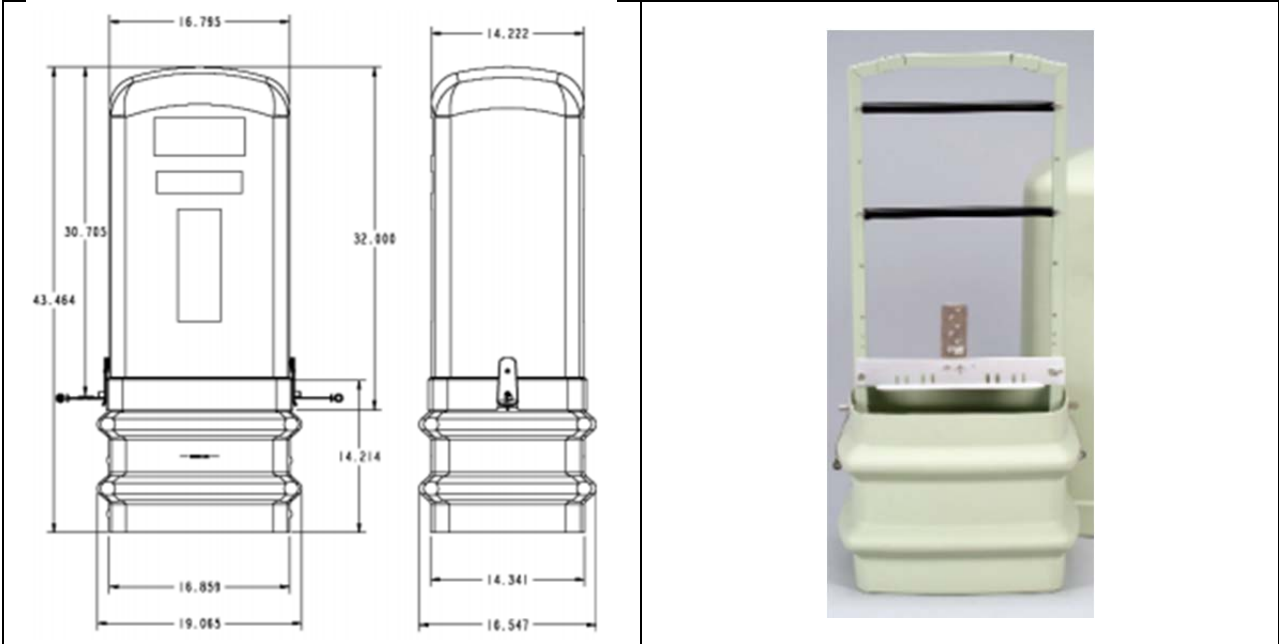
Add-on Fiber Organizer (tower) for CMPH-IT1/CL

Included Components

CMPH SERIES ENCLOSURES FOR STORING FIBER TERMINAL ENCLOSURE

Above grade enclosure designed to store a 3rd party fiber terminal enclosure.

*** Mounting bracket for fiber terminal enclosure will be supplier by vendor of fiber terminal enclosure*



Exterior View

Interior View

CONFIGURATIONS:

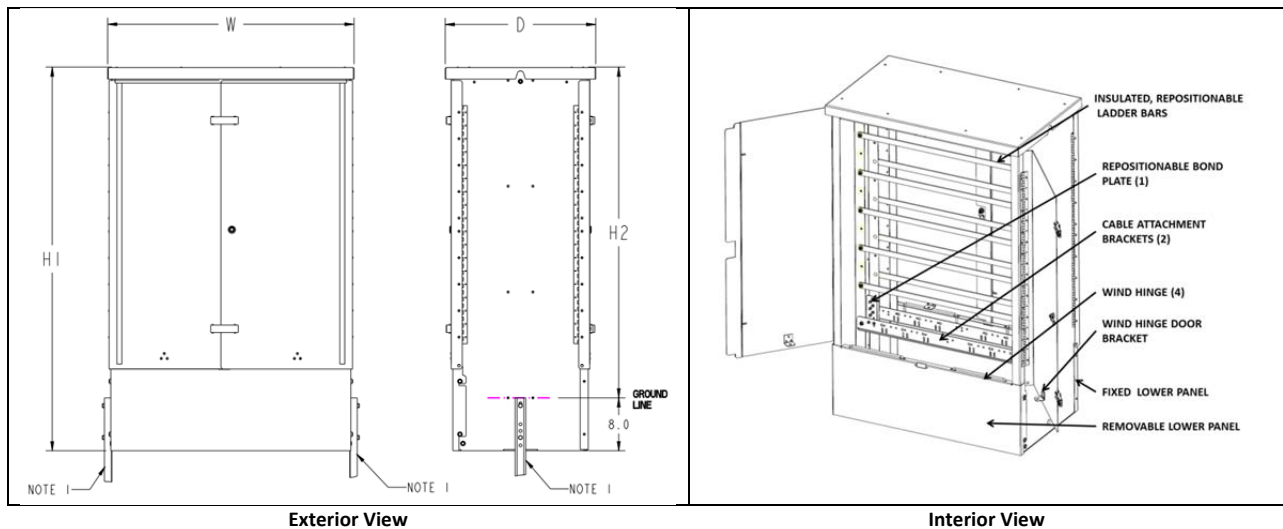
CHARLES PART #*	LUMEN MATCODE	KGP PID	PEDESTAL SIZE	SPLICE BARS	BOND PLATE	30" MOUNTING STAKE	MOSITURE BARRIER SHEET
CMPH-4510N/CL	1339088	0000463881	17" x 14"	2	5-POSITION	2	X

* Includes two 30" mounting stakes.

CUBE SERIES METALLIC PEDESTALS FOR COPPER SPLICING

Large above grade metallic enclosures designed to store copper splices or other bulk equipment.

Lifting kit, in-ground mounting stakes and pad mount gasket are ordered separately as accessories.



CUBE Part Number	Width (W)	Depth (D)	Height Overall (H1)	Height Ground Line (H2)	Weight (empty)	Capacity
CUBE6000	40"	21"	60"	52"	121 lbs.	6,000 spliced pairs
CUBE8000	40"	24"	60"	52"	128 lbs.	8,000 spliced pairs
CUBE10000	40"	24"	72"	64"	152 lbs.	10,000 spliced pairs

Table 1 Dimensions – Exterior (inches)

CONFIGURATIONS:

CHARLES PART #	LUMEN MATCODE	KGP PID	PEDESTAL SIZE SPLICED PAIRS	INSULATED SPLICE BARS	BOND PLATE	MOSITURE BARRIER SHEET
CUBE6000/CL	1339085	0000463878	6,000	10	7-POSITION	X
CUBE8000/CL	1339086	0000463879	8,000	10	7-POSITION	X
CUBE10000/CL	1339087	0000463880	10,000	12	7-POSITION	X

* For in-ground mounting, order two mounting stakes separately, UMS42-STD or equivalent. See accessories section for part numbers.

Large Metal Installation Accessories:

DESCRIPTION	LUMEN MATCODE	KGP PID	CHARLES PART NUMBER
MOUNTING STAKE WITH HARDWARE ORDER TWO FOR GROUND MOUNT INSTALLATIONS	1010226	0000375515	UMS42-STD
PAD MOUNT GASKET, ORDER ONE FOR CUBE6000 SERIES For CUBE8000 & CUBE 10000 SERIES	TBD TBD	N/A	97-PMG6K 97-PMG810K
LIFT KIT, 2 BRACKETS WITH HARDWARE, REUSABLE (OPTIONAL)	TBD	N/A	97-LK6810K
LADDER BARS, SPARES, INCLUDE INSULATION AND MOUNTING HARDWARE, PEDESTALS, PACKAGE OF 10 FITS CUBE6000/8000/10000 SERIES	TBD	N/A	97-LMK10

KITS, REPLACEMENT PARTS AND ACCESSORIES

CHARLES PART NUMBER	LUMEN MATCODE	KGP PID	DESCRIPTION
DOMES & DOME ACCESSORIES			
002305F	TBD	0000242644	DOME, 4" x 26.5"H, REPLACEMENT, FITS ROUND BASES (STD, I-STAKE AND XL I-STAKE), NO LABEL
97-CPLDOM6/CTL	1116007	0000235794	DOME, 6" x 26.5"H, REPLACEMENT, FITS ROUND BASES (STD, SPLIT REHAB, I-STAKE AND XL I-STAKE), LUMEN WARNING LABEL
97-CPLDOM8/CTL	1116008	0000235795	DOME, 8" x 26.5"H, REPLACEMENT, FITS ROUND BASES (STD, SPLIT REHAB, I-STAKE AND XL I-STAKE), LUMEN WARNING LABEL
97-CPLDOM10/CTL	1116009	0000235791	DOME, 10" x 26.5"H, REPLACEMENT, FITS ROUND BASES (STD, SPLIT REHAB, I-STAKE AND XL I-STAKE), LUMEN WARNING LABEL
97-CPLDOM12/CTL	1116010	0000235792	DOME, 12" x 26.5"H, REPLACEMENT, FITS ROUND BASES (STD, SPLIT REHAB, I-STAKE AND XL I-STAKE), LUMEN WARNING LABEL
97-CPLDOM14S/CL	TBD	n/a	DOME, 14" X 28.5"H, REPLACEMENT, STANDARD HEIGHT, FITS ROUND BASES (STD, SPLIT REHAB), I-STAKE AND XL I-STAKE, LUMEN WARNING LABEL
97-CPLDOM14/CTL	1116011	0000235793	DOME, 14" X 33"H, REPLACEMENT, TALL HEIGHT, FITS ROUND BASES (STD, SPLIT REHAB, I-STAKE AND XL I-STAKE), LUMEN WARNING LABEL
97-CP2DOM8LP/CL	TBD	n/a	DOME, REPLACEMENT, 8" x 17"H, FITS SQUARE BASE, HEX-HEAD SELF-LATCHING LOCK, LUMEN WARNING LABEL
97-CP2DOME8/CL	TBD	n/a	DOME, REPLACEMENT, 8" x 27.8"H, FITS SQUARE BASE, HEX-HEAD SELF-LATCHING LOCK, LUMEN WARNING LABEL
97-CP2DOME10/CL	TBD	n/a	DOME, REPLACEMENT, 10" x 27.8"H, FITS SQUARE BASE, HEX-HEAD SELF-LATCHING LOCK, LUMEN WARNING LABEL
97-LBLWRNCTL100	TBD	n/a	LABEL, 811 WARNING, 3" X 6", BLACK PRINT ON ORANGE, LUMEN LOGO, 1 = 100 PCS
BASES AND BASE ACCESSORIES			
97-RBASKT6/CTL	1116042	0000235798	BASE, 6" ROUND REHAB SPLIT, RAILS, REPLACEMENT
97-BASISTR06/CL	TBD	n/a	BASE, 6" I-STAKE, RAILS, REPLACEMENT
97-BASXSTR06/CL	TBD	n/a	BASE, 6" XL I-STAKE, RAILS, REPLACEMENT
97-RBASKT8/CTL	1116004	0000235799	BASE, 8" ROUND REHAB SPLIT, RAILS, REPLACEMENT
97-BASISTR08/CL	TBD	n/a	BASE, 8" I-STAKE, RAILS, REPLACEMENT
97-BASXSTR08/CL	TBD	n/a	BASE, 8" XL I-STAKE, RAILS, REPLACEMENT
97-RBASKT12/CTL	1116006	0000235797	BASE, 12" ROUND REHAB SPLIT, RAILS, REPLACEMENT
97-BASISTR12/CL	TBD	n/a	BASE, 12" I-STAKE, RAILS, REPLACEMENT
97-BASKT14/CL	TBD	n/a	BASE, 14" ROUND, RAILS, REPLACEMENT
97-BASISTR14/CL	TBD	n/a	BASE, 14" I-STAKE, RAILS, REPLACEMENT
24-100946-F	TBD	n/a	DROP WIRE CHANNEL, FOR ROUND BASES (NON XL I-STAKE) , 1 = 25 PCS
24-102166-F	TBD	n/a	DROP WIRE CHANNEL, LONG, FOR XL I-STAKE BASE, 1 = 25 PCS
97-001929-A (25pcs)	TBD	n/a	DROP WIRE CHANNEL, FOR SQUARE BASE, 1 = 25 PCS
18-900731-F	TBD	0000225907	PLUG, FOAM FOR DROP CHANNEL, FITS ALL ROUND BASES, 1 = 25 PCS
97-MBK1717-25	TBD	0000436107	MOISTURE BARRIER SHEET, RED, 17" X 17", FOR ROUND AND SQUARE BASES & CMPH-4510, 1 = 25 PCS
97-MBK1836-25	TBD	n/a	MOISTURE BARRIER SHEET, RED, 18" X 36, FOR CMPH-EMBQ & EMBQFN, 1 = 25 PCS
PHP68	1465477	TBD	PLUG, FOR 6IN ROUND BASE PEDESTALS, GREEN, 1 = 100PCS
PHP10	1465136	TBD	PLUG, FOR 8IN & 10IN ROUND BASE PEDESTALS, GREEN, 1 = 100PCS
010376-F	123948	0000396856	GROMMET PLUGS, Rubber, BASE, 1 = 25 PCS

CHARLES PART NUMBER	LUMEN MATCODE	KGP PID	DESCRIPTION
---------------------	---------------	---------	-------------

BACKBOARDS AND ACCESSORIES

97-BKPLNBDO5ETS	1283828	0000479462	REPLACEMENT BACKPLANE KIT FOR BDO 5-ETS
97-UNIVBB08/CL	1343844	0000472890	8" UNIVERSAL BACKBOARD KIT 26.5IN H X 8.05IN W X 2.75IN D GREEN 97-UNIVBB08/CL CHARLES
97-UNIVBB10/CL	1343845	0000472891	10" UNIVERSAL BACKBOARD KIT 26.5IN H X 10.73IN W X 3.5IN D GREEN 97-UNIVBB10/CL CHARLES INDUSTRIES
97-BONDSBKT5	TBD	n/a	BOND BAR, 5-POSITION, FOR S-BRACKETS (CPLS), 1 = 10 PCS
97-BOND10UNIV7	TBD	n/a	BOND BAR, 7-POSITION, FOR 10" UNIVERSAL, 1 = 10 PCS
CMPH-BOND10	TBD	0000192114	BOND BAR, 5-POSITION, FOR CMPH-EMBO, EMBOFN, CMPH-4510, 1 = 10PCS
97-500512-A	1061247	0000371480	KIT, GROUND LUG, PACKAGE OF 100 PCS.
97-500504-A	TBD	n/a	SPLICE BAR, 6" OFFSET, FOR CPLU AND CPLS 6, 1 = 50 PCS.
97-500505-A	TBD	0000399833	SPLICE BAR, 8" OFFSET, FOR CPLU AND CPLS 8, 1 = 50 PCS.
97-500506-A	TBD	n/a	SPLICE BAR, 10" OFFSET, FOR CPLU AND CPLS 10, 1 = 50 PCS.
97-500507-A	TBD	n/a	SPLICE BAR, 12" OFFSET, FOR CPLS 12, 1 = 50 PCS.
97-500508-A	TBD	n/a	SPLICE BAR, 14" OFFSET, FOR CPLS 14, 1 = 50 PCS.
80-001711-F	TBD	n/a	SPLICE BAR, 14", INSULATED COVER, INCL MOUNTING HARDWARE, FOR BDO 7, 1 = 10PCS
CMPH-SPBAR10	TBD	0000192115	SPLICE BAR, CMPH, INSULATED COVER, INCL. MOUNTING SCREWS 1 = 10 PCS
97-SPBAR6	TBD	n/a	SPLICE BAR, CUBE 6000, INSULATED COVER, INCL. MOUNTING SCREWS 1 = 10 PCS
97-SPBAR810	TBD	n/a	SPLICE BAR, CUBE 8000 & 10,000, INSULATED COVER, INCL. MOUNTING SCREWS 1 = 10 PCS
97-102479-A	1358806	TBD	KIT, REPLACEMENT UPRIGHTS (LEGS) FITS NON METALLIC BDO 5-OTx/CL & BDO 5-ETSM/CL, 14.7IN LONG, 2 UPRIGHTS PER KIT
97-RUK26510	TBD	TBD	REPLACEMENT UPRIGHTS (LEGS), 26.5" L, 10 PCS

MOUNTING ACCESSORIES

UMS36-STD	1122079	0000373020	STAKE, UNIVERSAL MOUNTING, 36" LONG, INCLUDES MOUNTING HARDWARE, ORDER IN QTYS OF 10 PCS (CARTON)
UMS42-STD	1010226	0000375515	STAKE, UNIVERSAL MOUNTING, 42" LONG, INCLUDES MOUNTING HARDWARE, ORDER IN QTYS OF 10 PCS (CARTON)
UMB102A	1010227	1535760390	POLE MOUNT BRACKET, INCLUDES MOUNTING HARDWARE, ORDER IN QTYS OF 10 PCS (CARTON)

FIBER SPLICE TRAYS

97-FIBR24TRAY	1122364	0000373015	SPLICE TRAY FOR 12 OR 24 FIBERS, 4" X 9", INCL TWO (2) SPLICE CHIPS, ADDRESS LABEL, SIX (6) CABLE TIES
---------------	---------	------------	--

REFERENCE MATERIALS

GRAVEL REQUIREMENTS FOR PEDESTAL INSTALLATIONS:

Material Type:	3/8" x 5/8" or 3/8" to 1" stone or gravel, size number 56 per ASTM standard sizes of coarse aggregate for highway concrete D-448
-----------------------	--

BASE TYPE	BASE VOLUME (CU-IN) @ 5" DEPTH*	ESTIMATED GRAVEL WEIGHT PER PED (LBS.)*
4" Round	65	2
6" Round	150	4
8" Round	232	7
10" Round	413	12
12" Round	589	17
14" Round	713	20
<hr/>		
6" Square	302	9
8" Square	407	11
10" Square	599	17
12" Square	871	24
<hr/>		
CMPH-75N & CMPH-75FN	1466	41
CMPH-4510	1215	34

*Recommended gravel depth.

PRODUCT DRAWINGS / DATA SHEETS

Additional product drawings / data sheets are available at the following URL:

http://www.charlesindustries.com/lumen_reference_materials.htm

CUSTOMER SUPPORT

For questions regarding product repair or if technical assistance is required, contact Charles Technical Support at:

TECHNICAL SUPPORT

847-806-8500

techserv@charlesindustries.com

<http://www.charlesindustries.com/main/techserv.htm>



For questions regarding new applications and training support, please contact your Charles' regional Lumen Account Team member or the following:

SALES SUPPORT

Vickie Constable
Lumen National Account Manager
612-812-2218
vconstable@charlesindustries.com
or
http://www.charlesindustries.com/main/telecom_sales_support.htm