

30" LONG
MOUNTING STAKE
2X

(30.0)

DRAWING NO.	ISS.
CMPH-4510/NCI	
MATCODE 1339088	
CM FILE NAME	SHEET
CMPH-4510N	1 of 2

Charles Industries
Charles Industries, Inc.
21400 West 10th Street
Tulsa, Oklahoma 74116
Phone: 918-438-2400

THIS IS THE PROPERTY OF CHARLES INDUSTRIES, LTD. AND SHALL NOT BE REPRODUCED, COPIED OR USED IN ANY MANNER DETRIMENTAL TO THEIR INTERESTS.

2 DO NOT SCALE DRAWING

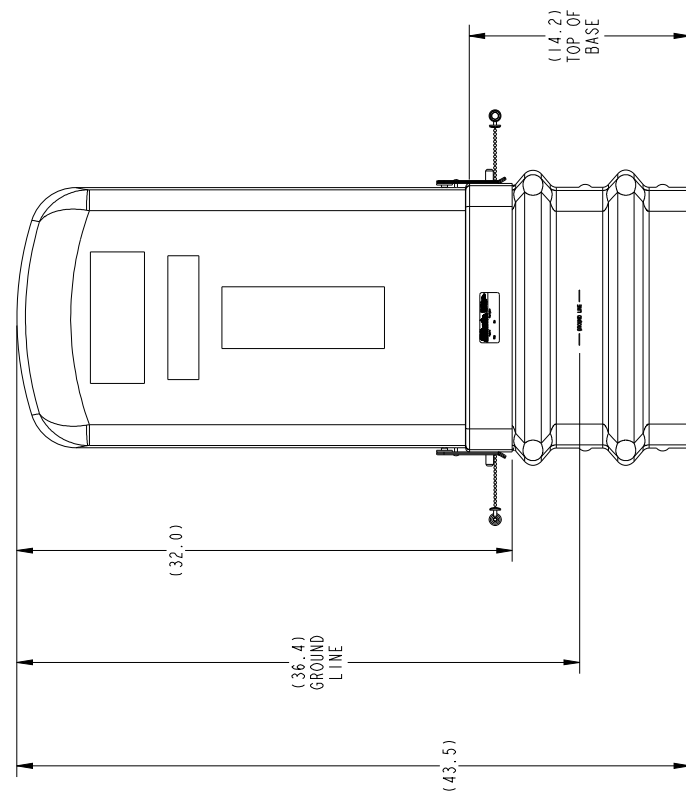
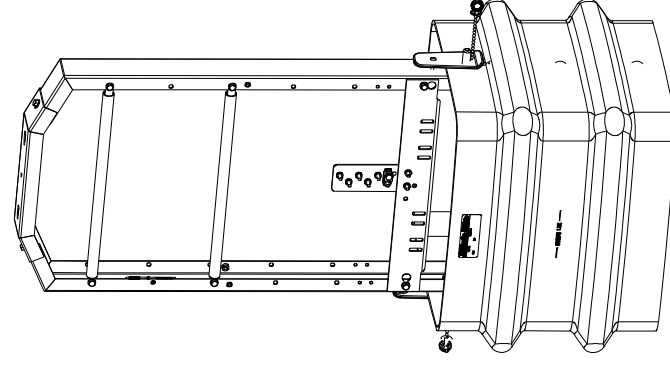
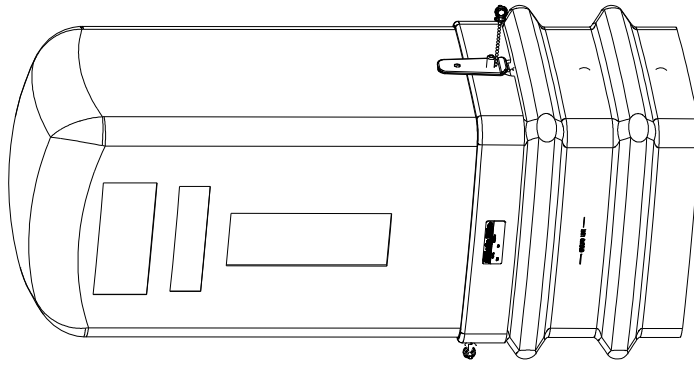
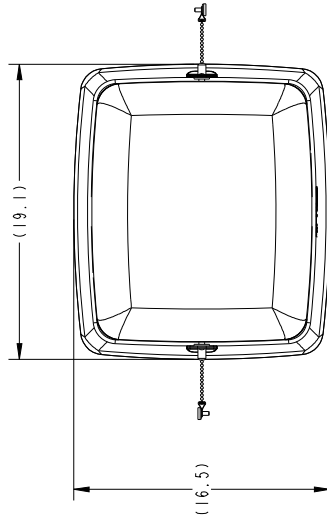
REV 07-28-99
COMPUTER GENERATED DRAWING 4

1

2

3

4



Charles Industries Ltd.
 21400 Main Street
 Suite 100
 Dallas, Texas 75244
 Phone: (972) 242-4400
 Fax: (972) 242-4401

Charles[®]

THIS IS THE PROPERTY OF CHARLES INDUSTRIES, LTD. AND SHALL NOT BE REPRODUCED, COPIED OR USED IN ANY MANNER DETRIMENTAL TO THEIR INTERESTS.

DRAWING NO.	ISS.
CMIPH4510N/CL	1
MATCODE T339088	
SIZE	SCALE
B	N/A
CM FILE NAME	SHEET
CMIPH-4510N	2 of 2