

4

3

2

1

30" METAL STAKE WITH HARDWARE

D

D

C

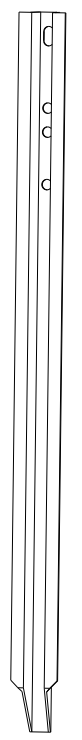
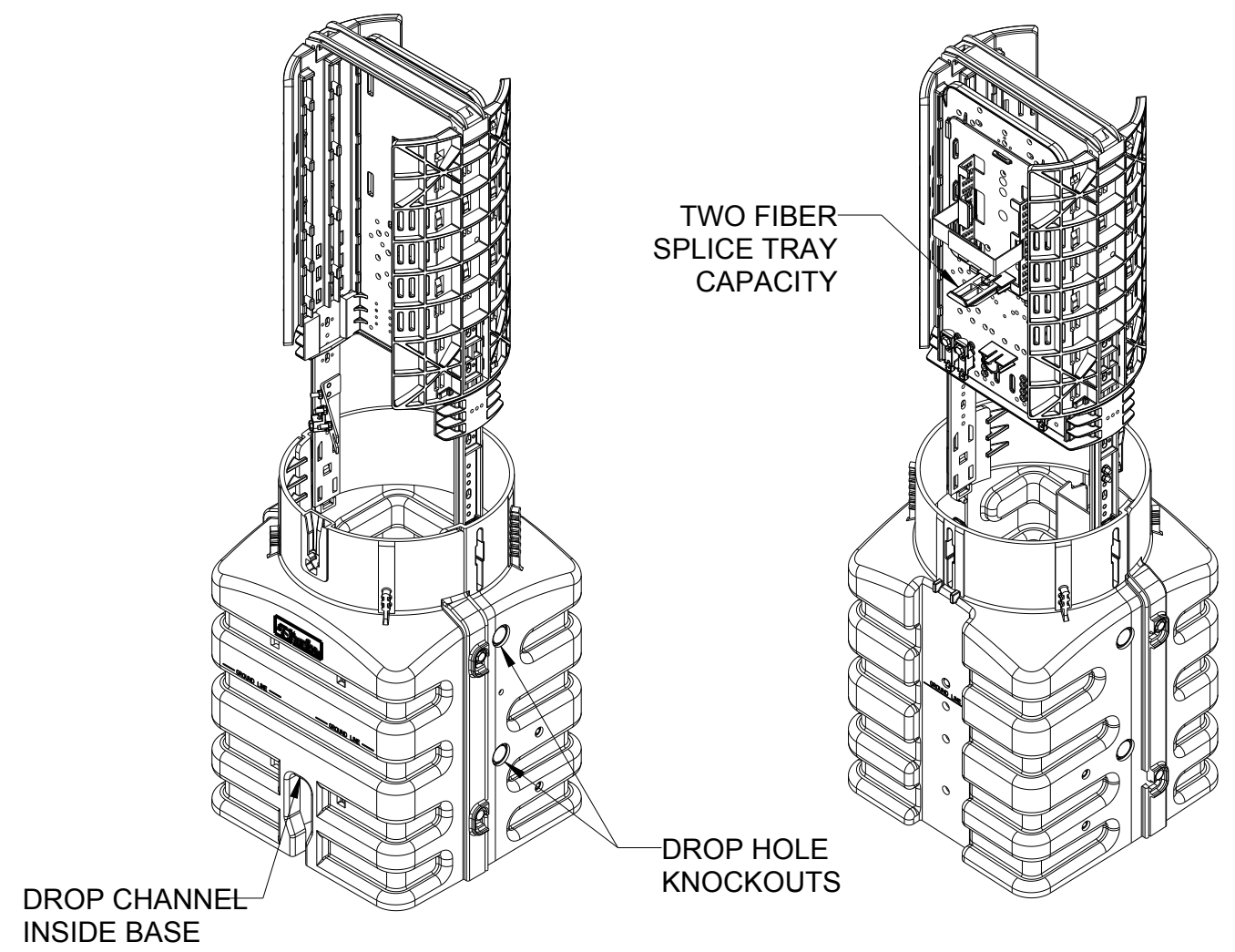
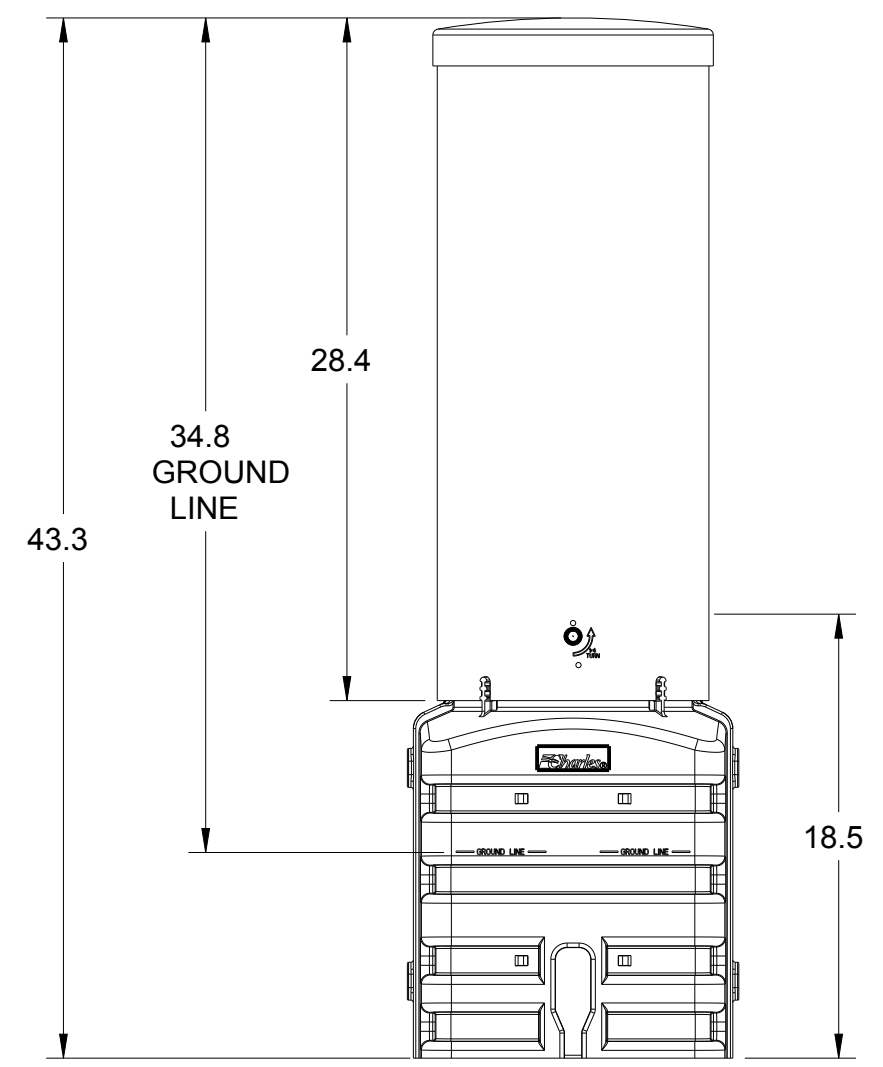
C

B

B

A

A



CHARLES PART #	PEDESTAL SIZE	INTEGRAL STAKE	POLE MOUNT	30" METAL STAKE	DROP WIRE CHANNEL	CHANNEL PLUG	MOISTURE BARRIER SHEET	TERM BLOCK HARDWARE
BDO 5-ETSM/CL	10"			*	*	*	*	*

NOTE: SPLICE TRAY ORDERED SEPARATELY
 CHARLES P/N: 97-FIBR24TRAY
 CTL P/N: 1122364

DATE: 05/05/17



Charles Industries Ltd.
 Telecommunications Group
 Charles Center, 5600 Apollo Drive
 Rolling Meadows, IL 60008
 Telephone: 847-806-6300

SIZE A	DRAWING NO. BDO-ETS_SALE/CTL	ISS. 1
SCALE .125	CAD FILE NAME BDOETS_SALE-CTL	REV 1

THIS IS THE PROPERTY OF CHARLES INDUSTRIES LTD. AND SHALL NOT BE REPRODUCED, COPIED OR USED IN ANY MANNER DETRIMENTAL TO THEIR INTERESTS.

SHEET 1 of 1

4

3

2

1