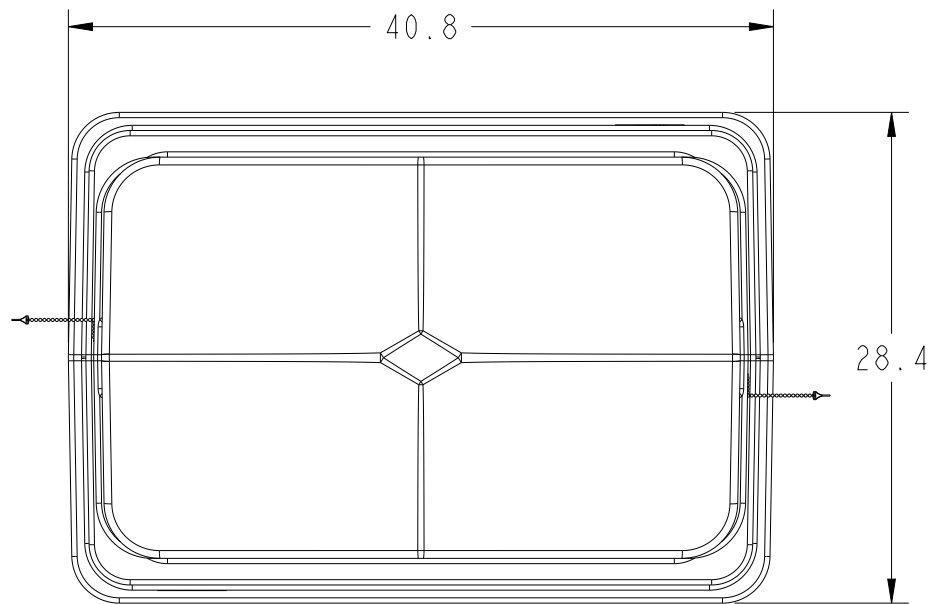


4

3

2

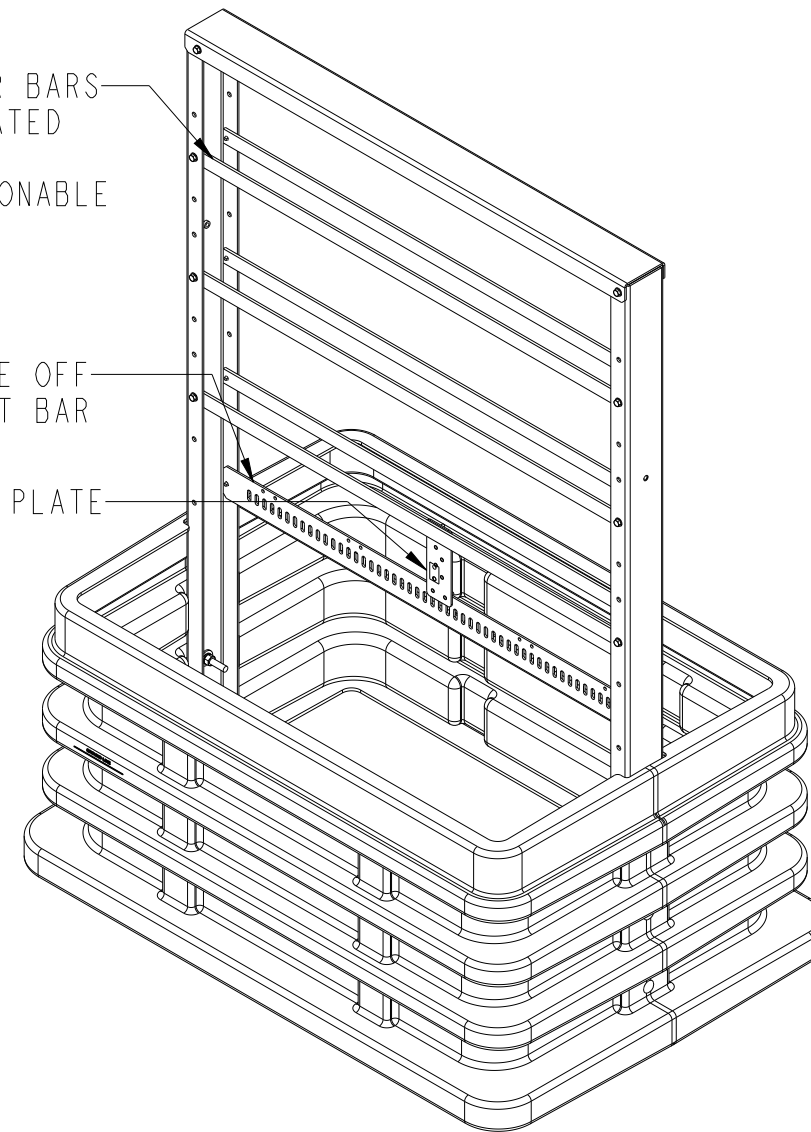
1



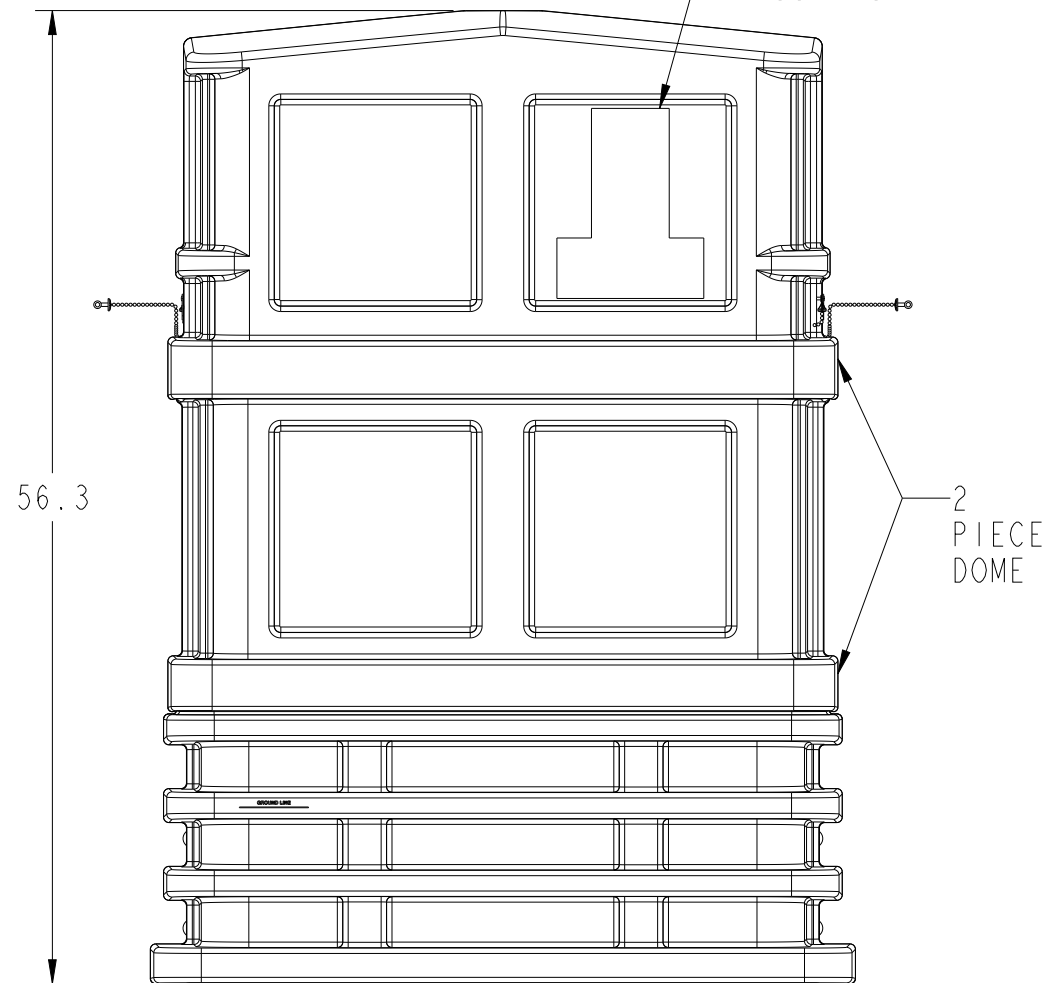
6 LADDER BARS
INSULATED
&
REPOSITIONABLE

TIE OFF
BRACKET BAR

GROUND PLATE



LABEL
POSITION

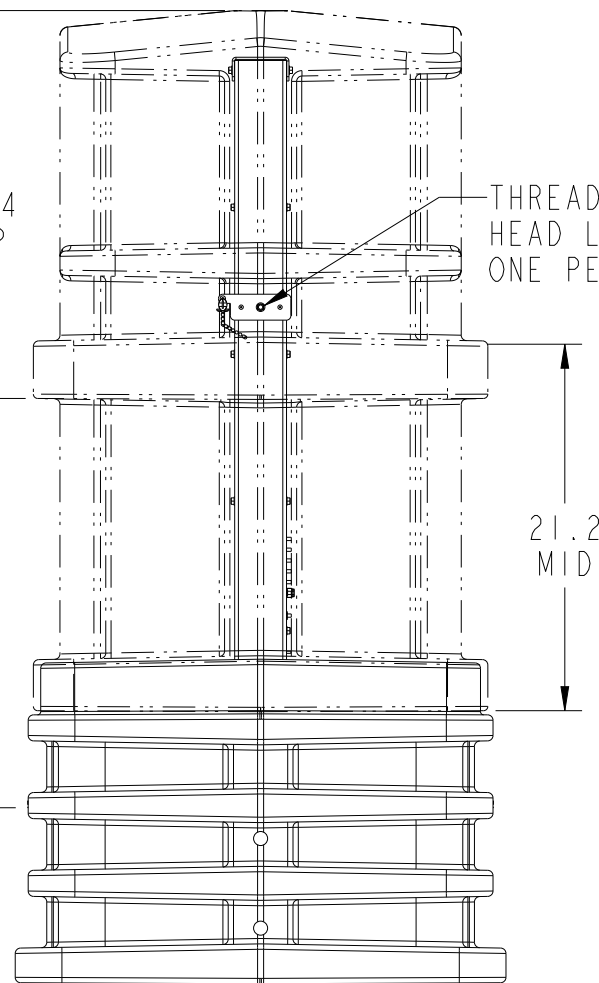


22.4
TOP

THREADED HEX
HEAD LOCKS
ONE PER SIDE

46.1
GROUND
LINE

21.2
MID



NOTES

1. COPPER SPLICE CAPACITY: 5000 PAIRS
2. INCLUDED ITEM
 - CTL WARNING LABEL ON DOME
 - MOISTURE BARRIER SHEET



Charles Industries Ltd.
Telecommunications Group
Charles Center, 6000 Apollo Drive
Rolling Meadows, IL 60008
Telephone: 847-806-6300

SIZE
A

DRAWING NO.

CMPH-85N/CL

ISS.

REV.

THIS IS THE PROPERTY OF CHARLES INDUSTRIES LTD. AND SHALL NOT BE REPRODUCED, COPIED OR USED IN ANY MANNER DETRIMENTAL TO THEIR INTERESTS.

SCALE .090

CAD FILE NAME
CMPH-85N-CL

SHEET

1 of 1

3

2 DO NOT SCALE DRAWING

1