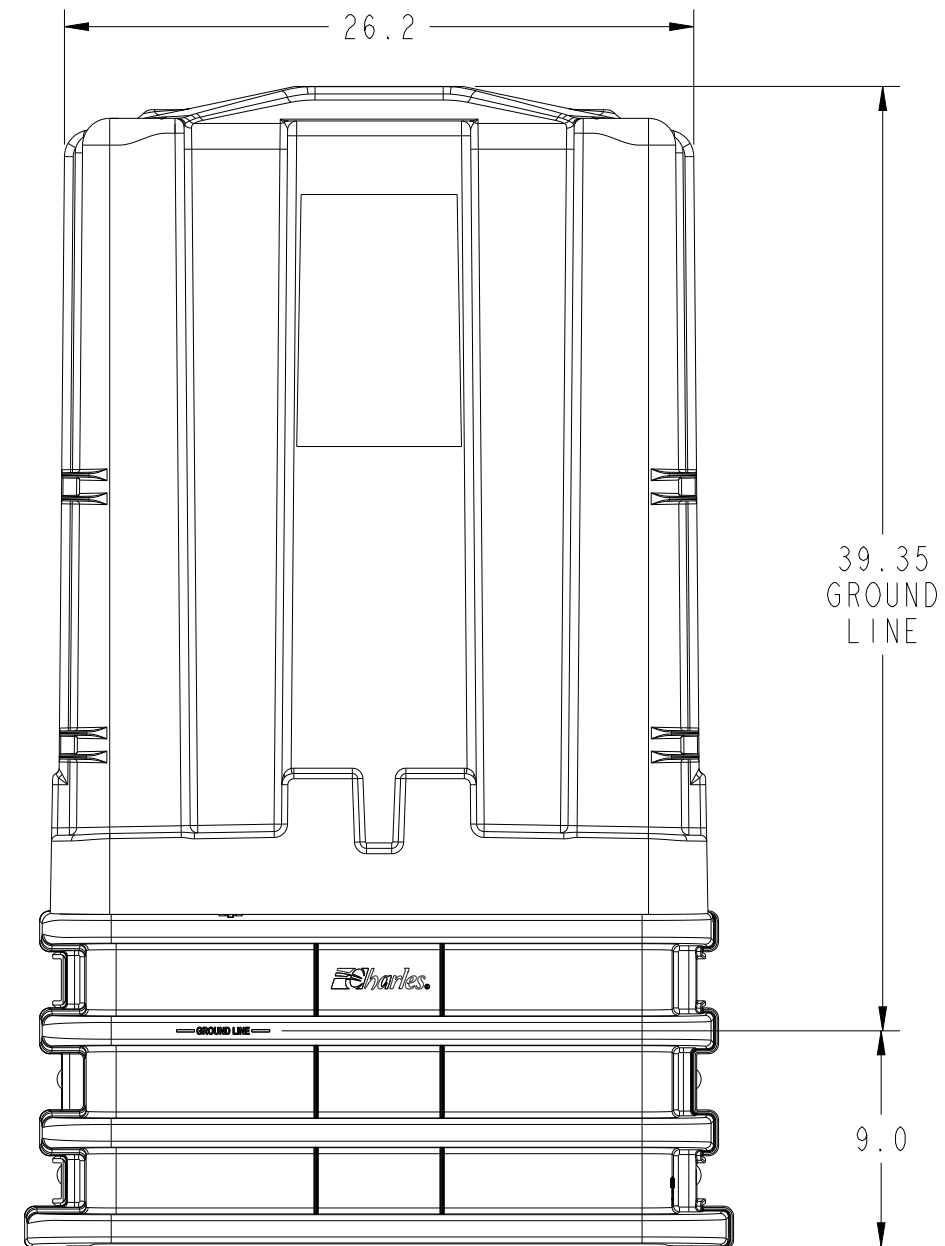
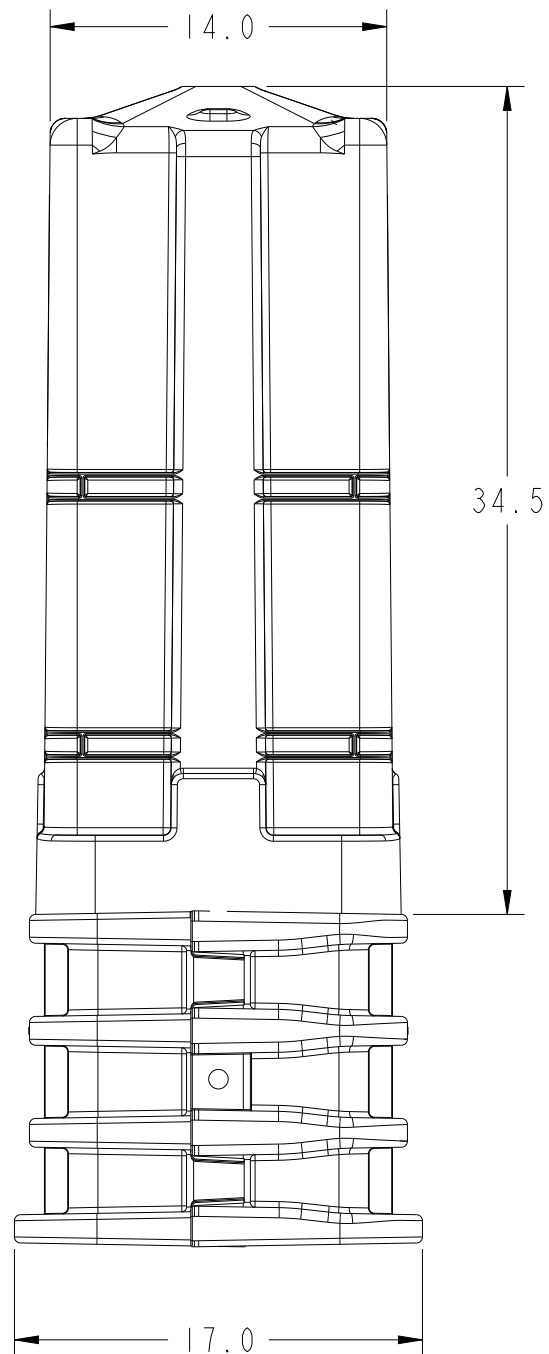
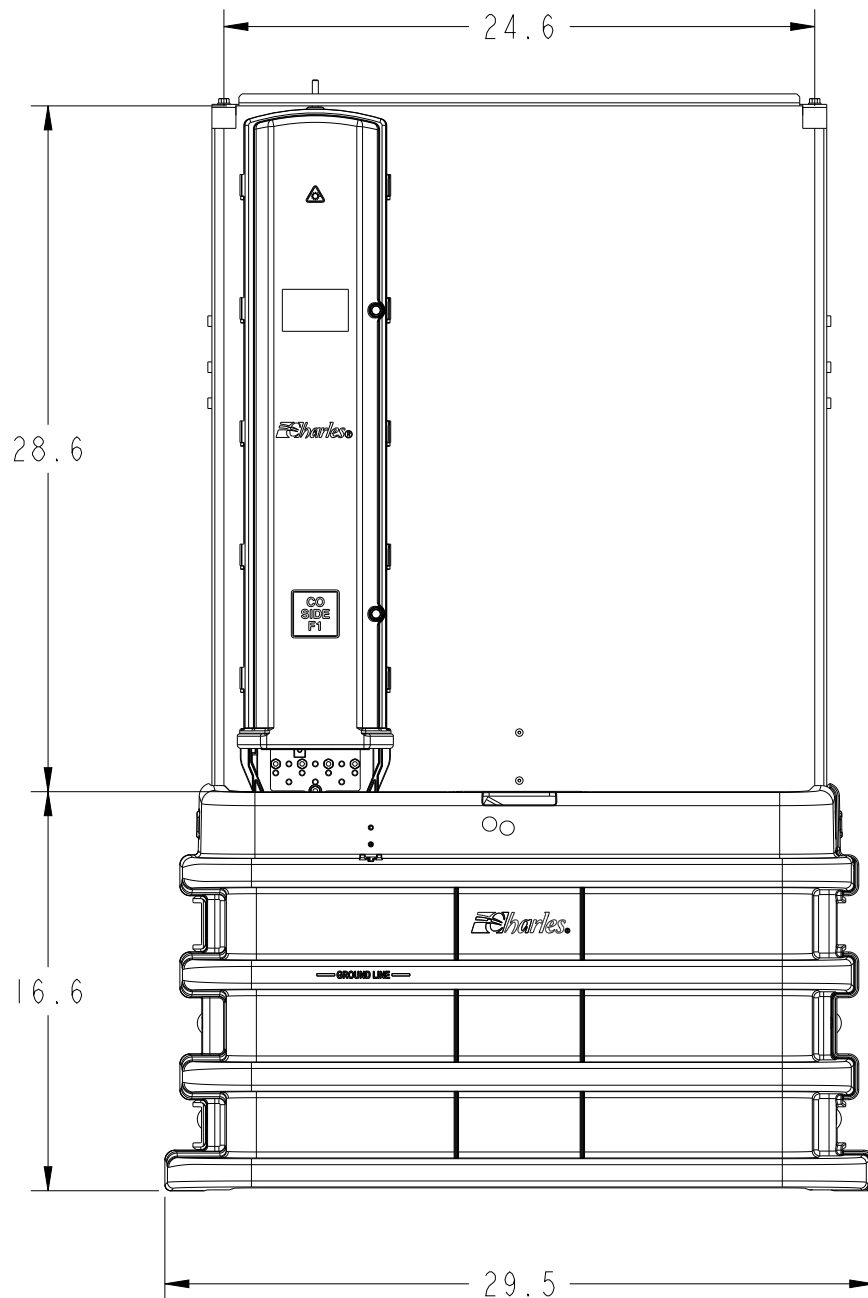



INCLUDED COMPONENTS:  
 (2) 42" UMS STAKES  
 (1) MOISTURE BARRIER SHEET  
 (1) CENTURLINK DOME LABEL



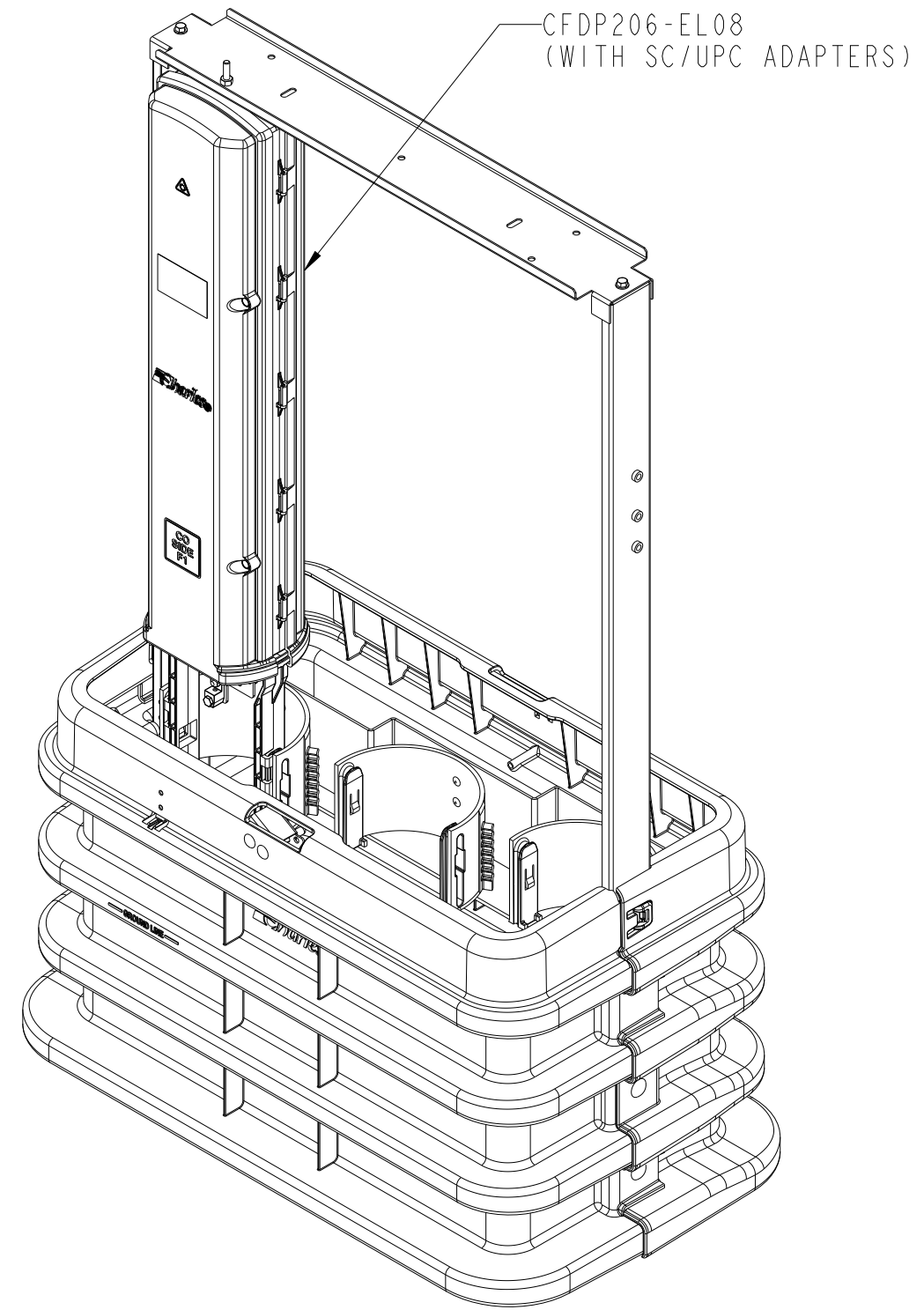
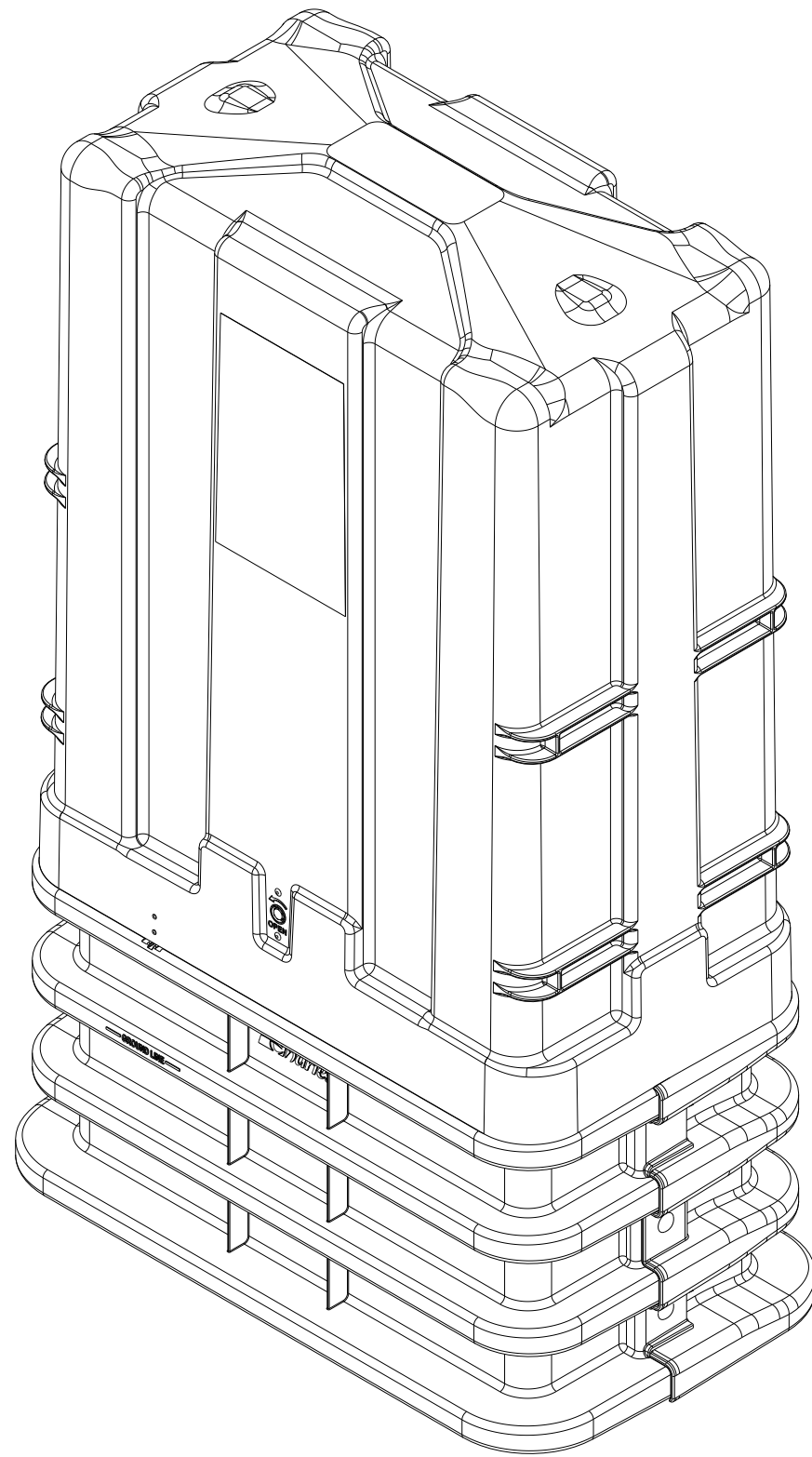
 Charles Industries, Ltd. www.charlesindustries.com	SIZE	DRAWING NO.	ISS.
	B	CMPH-SITI/CL	REV. A
THIS IS THE PROPERTY OF CHARLES INDUSTRIES LTD. AND SHALL NOT BE REPRODUCED, COPIED OR USED IN ANY MANNER DETRIMENTAL TO THEIR INTERESTS.	SCALE .125	CAD FILE NAME CMPH-SITI-CL	SHEET 1 of 2

4

3

2

1



D

D

C

C

B

B

A

A



SIZE <b>B</b>	DRAWING NO. CMPH-SITI/CL	ISS. REV. A
------------------	-----------------------------	-------------------

THIS IS THE PROPERTY OF CHARLES INDUSTRIES LTD. AND SHALL NOT BE REPRODUCED, COPIED OR USED IN ANY MANNER DETRIMENTAL TO THEIR INTERESTS.	SCALE .150	CAD FILE NAME CMPH-SITI-CL	SHEET 2 of 2
---	---------------	-------------------------------	-----------------

3

2 DO NOT SCALE DRAWING

1