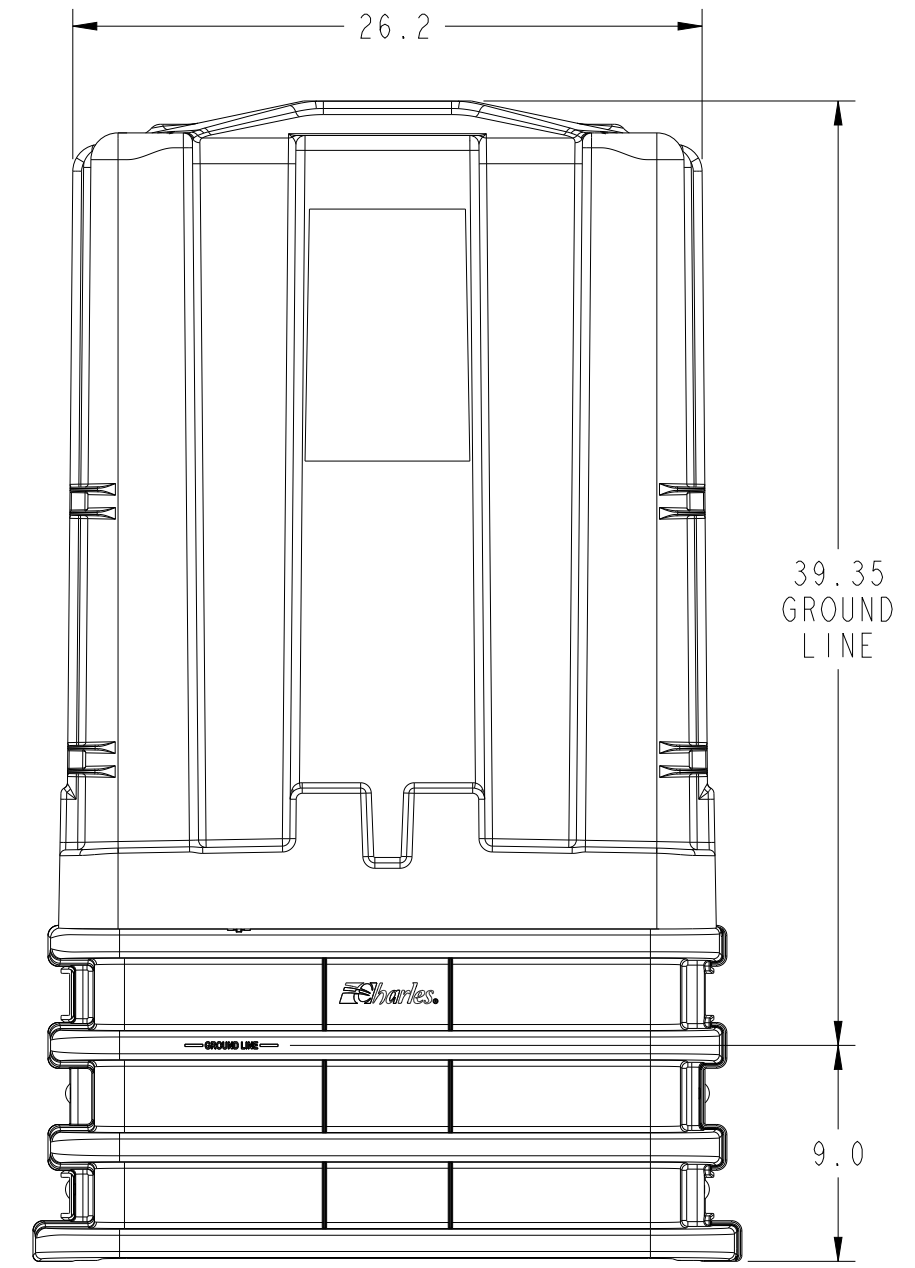
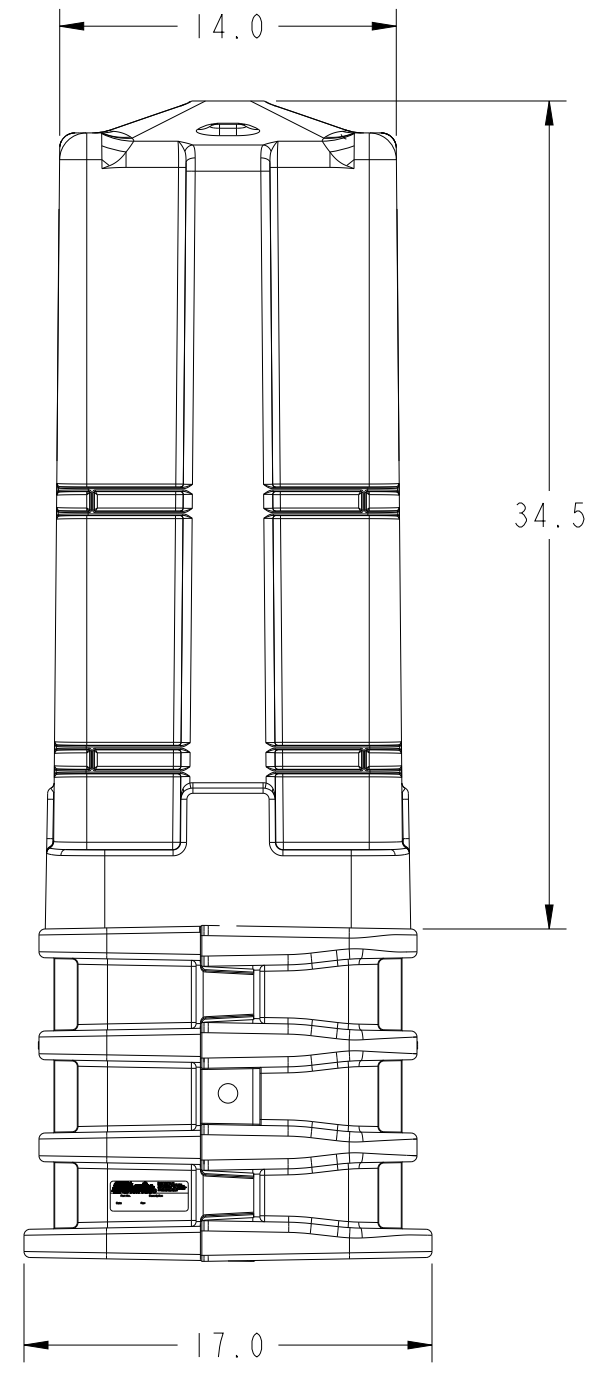
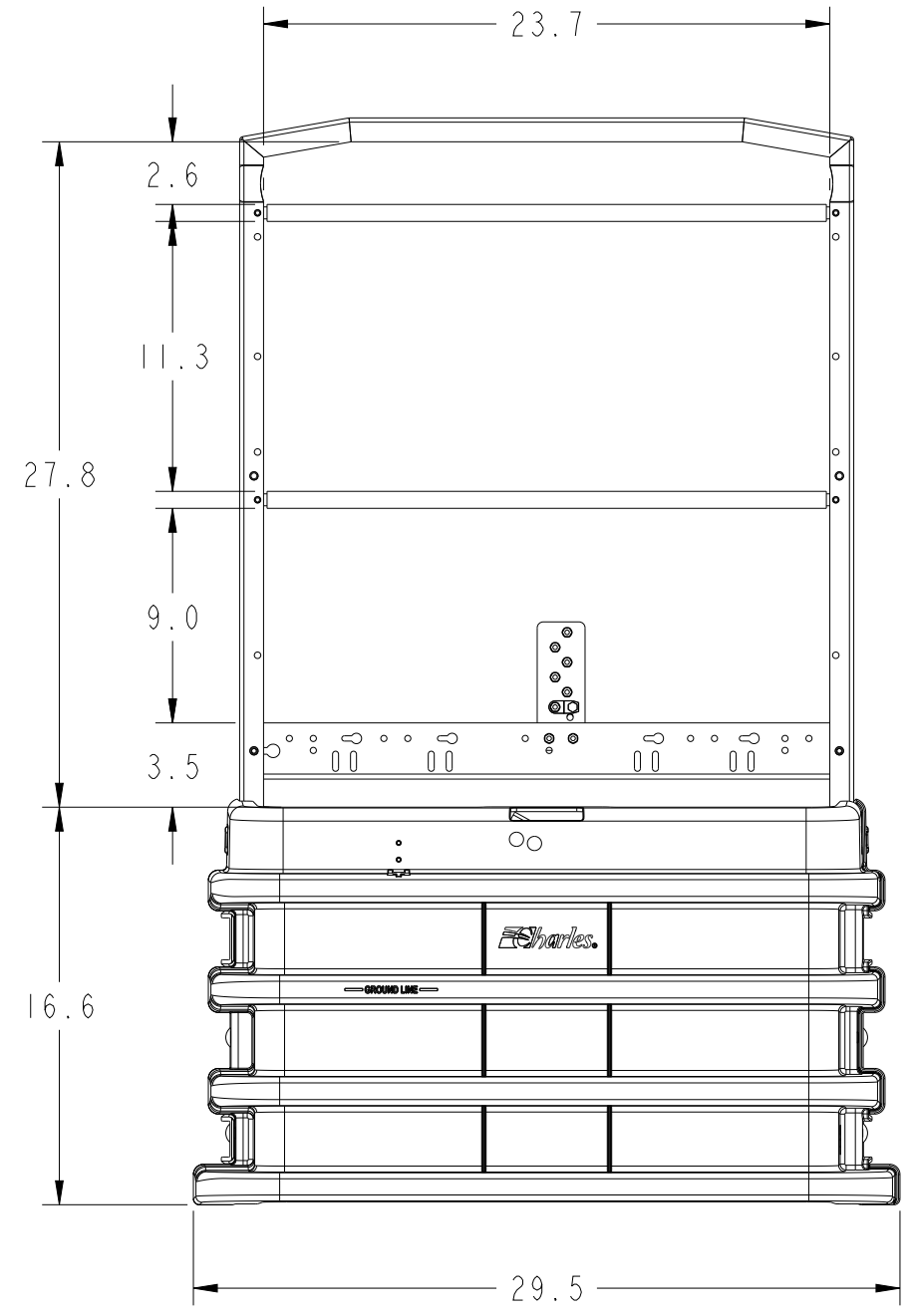



NOTE: REQUIRES TWO MOUNTING STAKES ORDERED SEPARATELY

INCLUDED COMPONENTS:  
 (1) MOISTURE BARRIER SHEET  
 (1) CENTURYLINK DOME LABEL



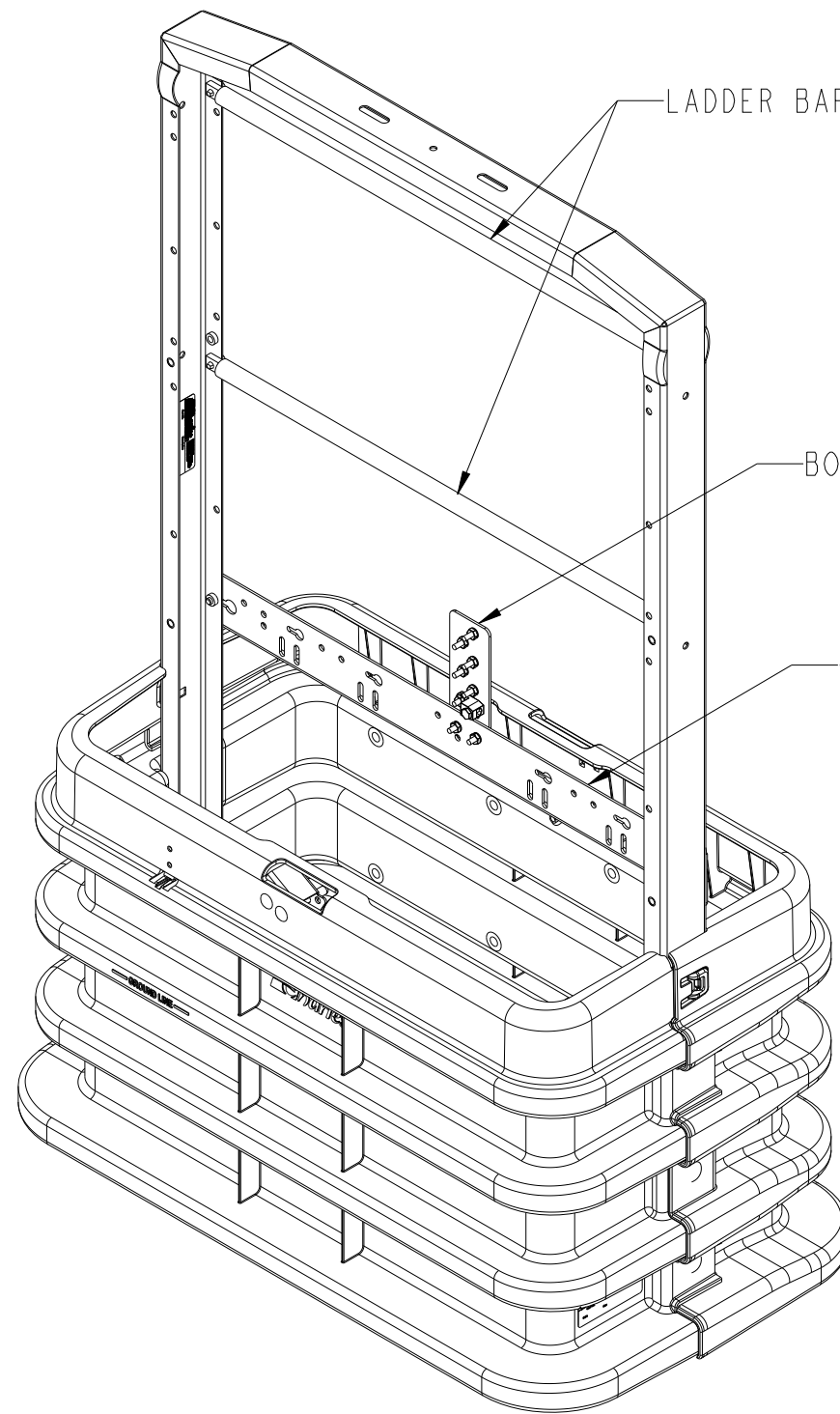
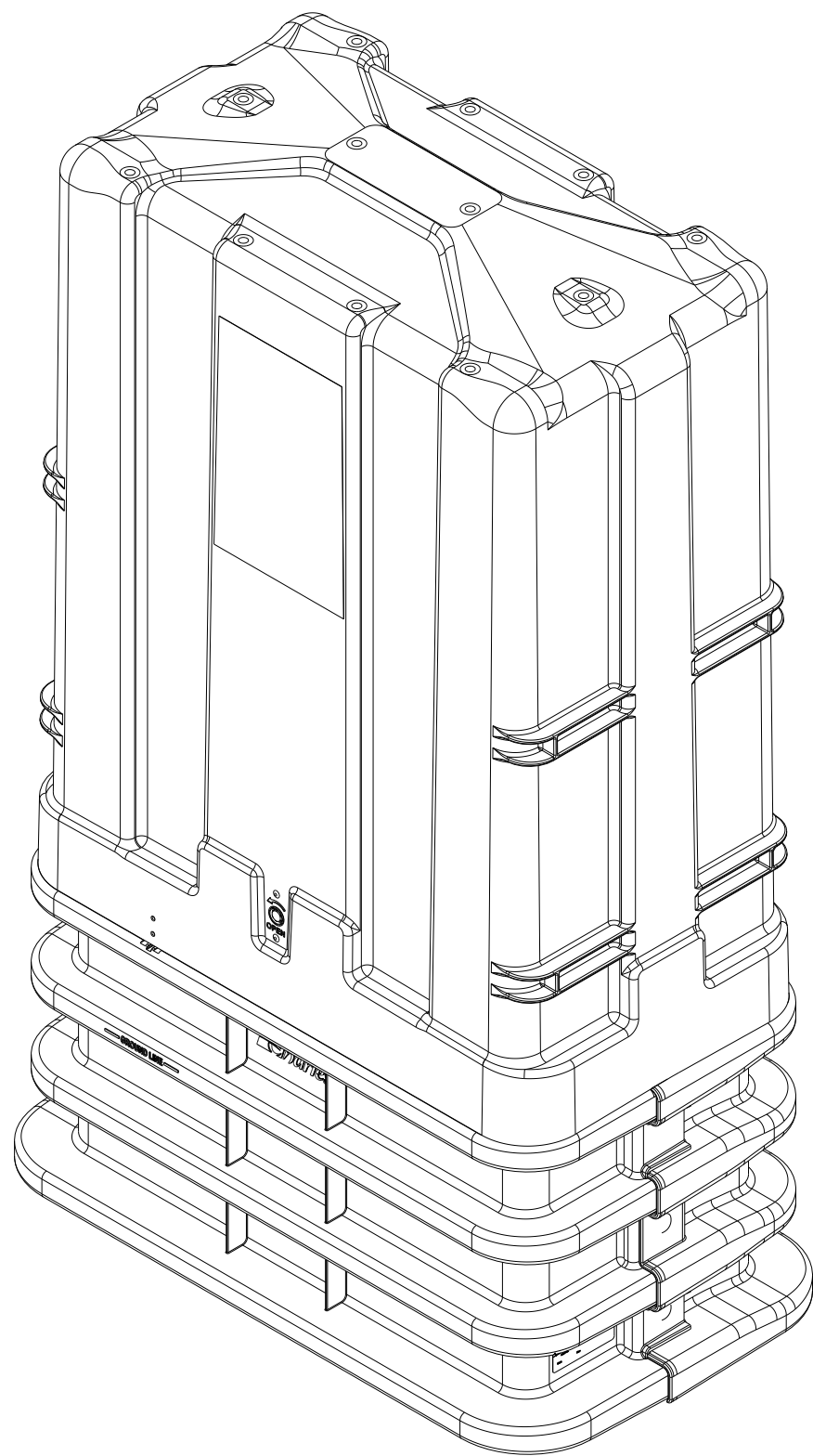
 Charles Industries, Ltd. www.charlesindustries.com	SIZE	DRAWING NO.	ISS.
	<b>B</b>	CMPH-75SN/CL	REV. A
THIS IS THE PROPERTY OF CHARLES INDUSTRIES LTD. AND SHALL NOT BE REPRODUCED, COPIED OR USED IN ANY MANNER DETRIMENTAL TO THEIR INTERESTS.	SCALE .125	CAD FILE NAME CMPH-75SN-CL	SHEET 1 of 2

4

3

2

1



LADDER BAR

BOND PLATE

CABLE SUPPORT BRACKET



SIZE  
B

DRAWING NO.  
CMPH-75SN/CL

ISS.  
REV.  
A

THIS IS THE PROPERTY OF CHARLES INDUSTRIES LTD. AND SHALL NOT BE REPRODUCED, COPIED OR USED IN ANY MANNER DETRIMENTAL TO THEIR INTERESTS.

SCALE .150

CAD FILE NAME  
CMPH-75SN-CL

SHEET 2 of 2

3

2 DO NOT SCALE DRAWING

1