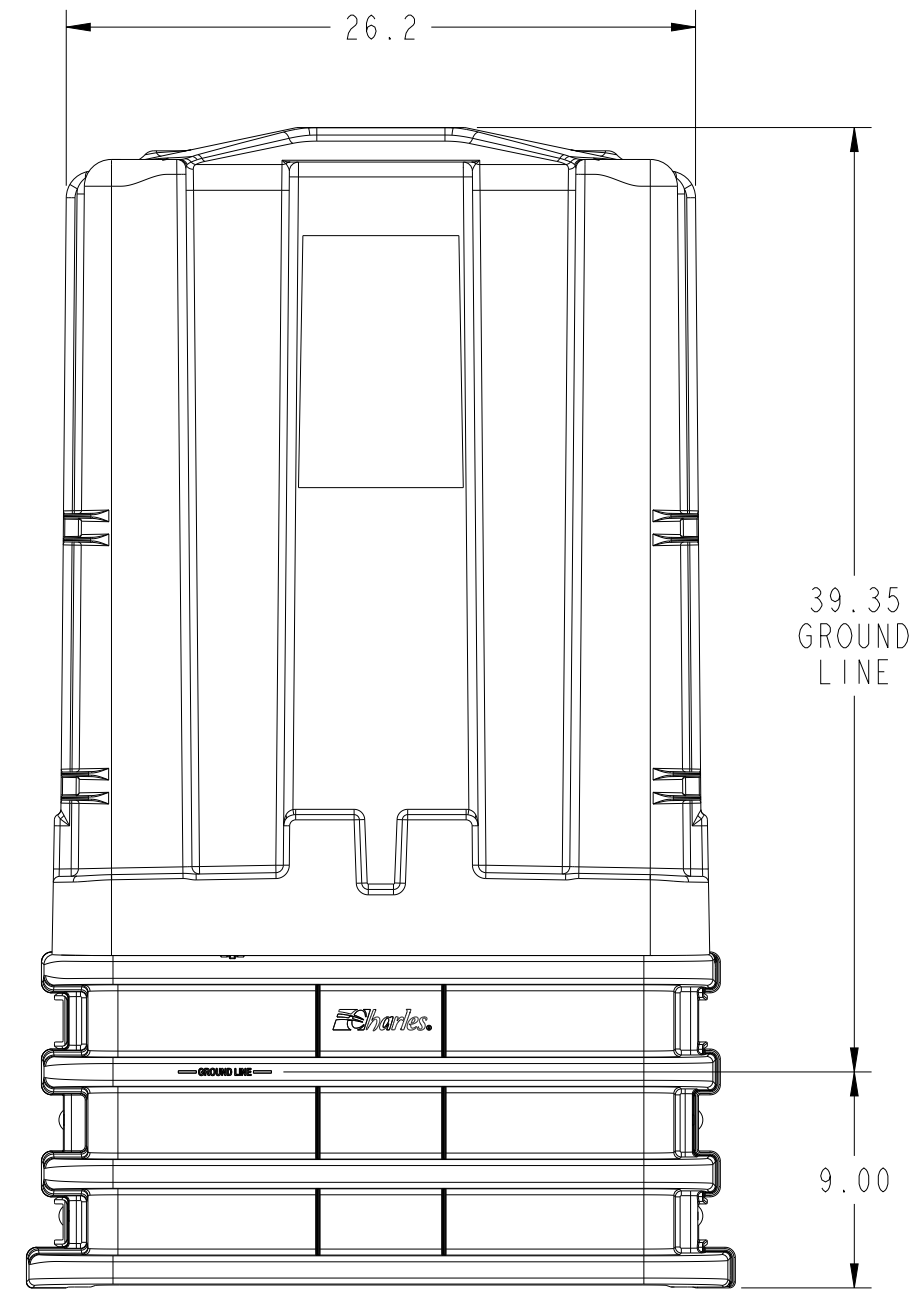
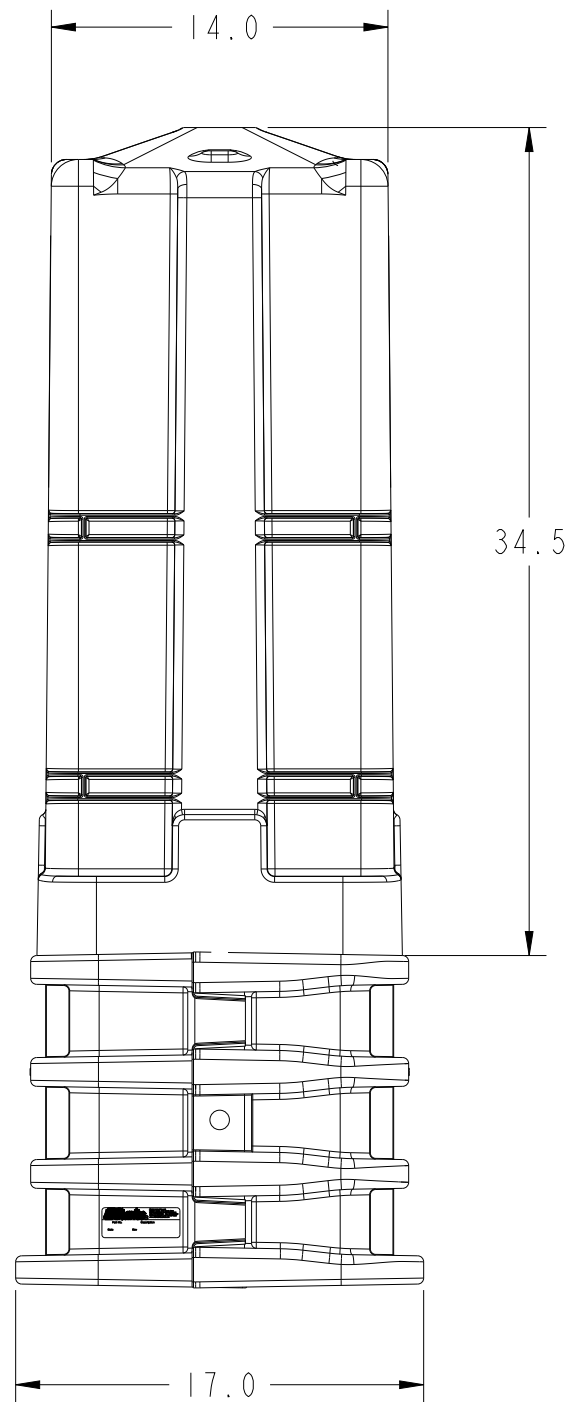
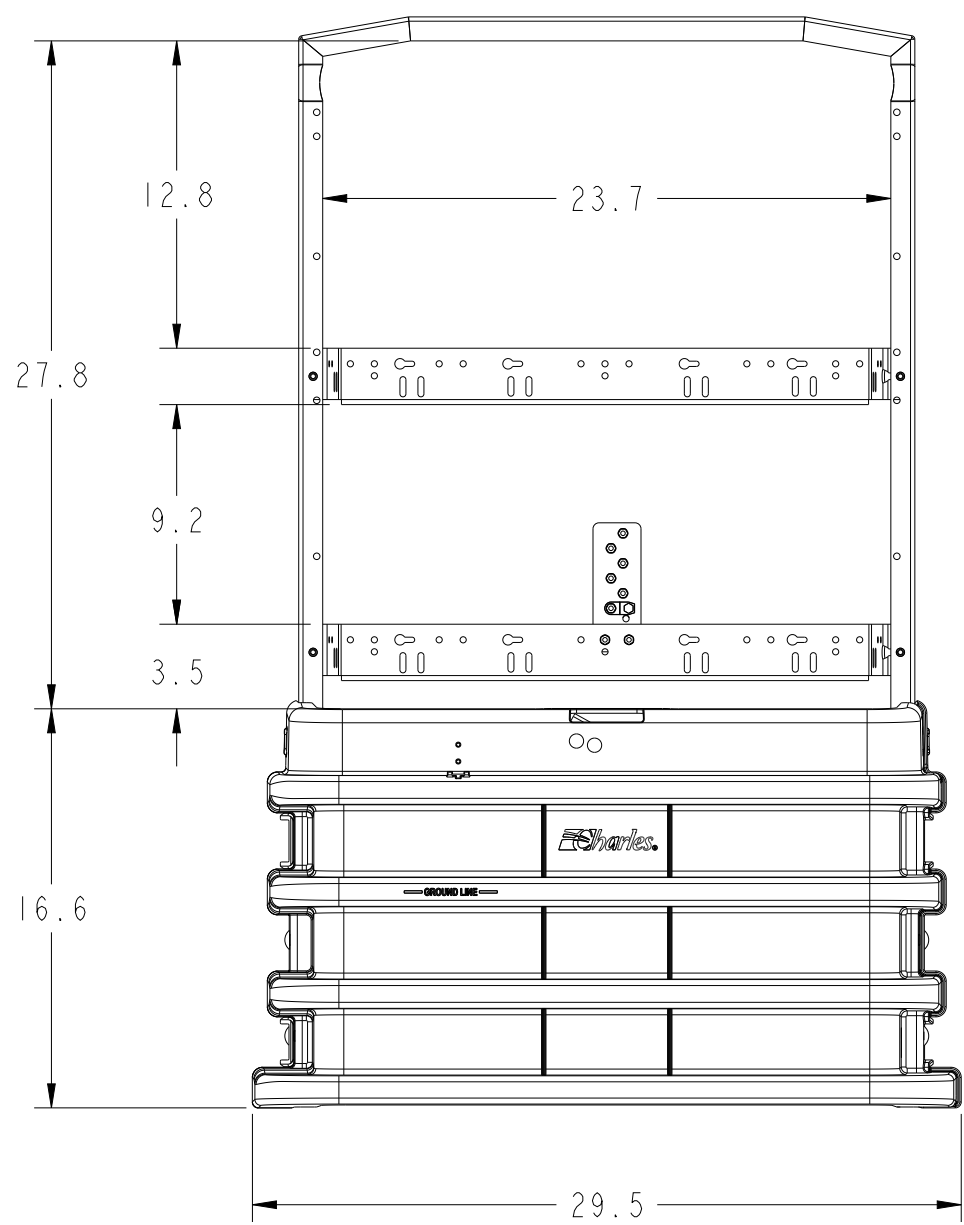



NOTE: REQUIRES TWO MOUNTING STAKES ORDERED SEPERATELY

INCLUDED COMPONENTS:  
 (1) MOISTURE BARRIER SHEET  
 (1) CENTURYLINK DOME LABEL



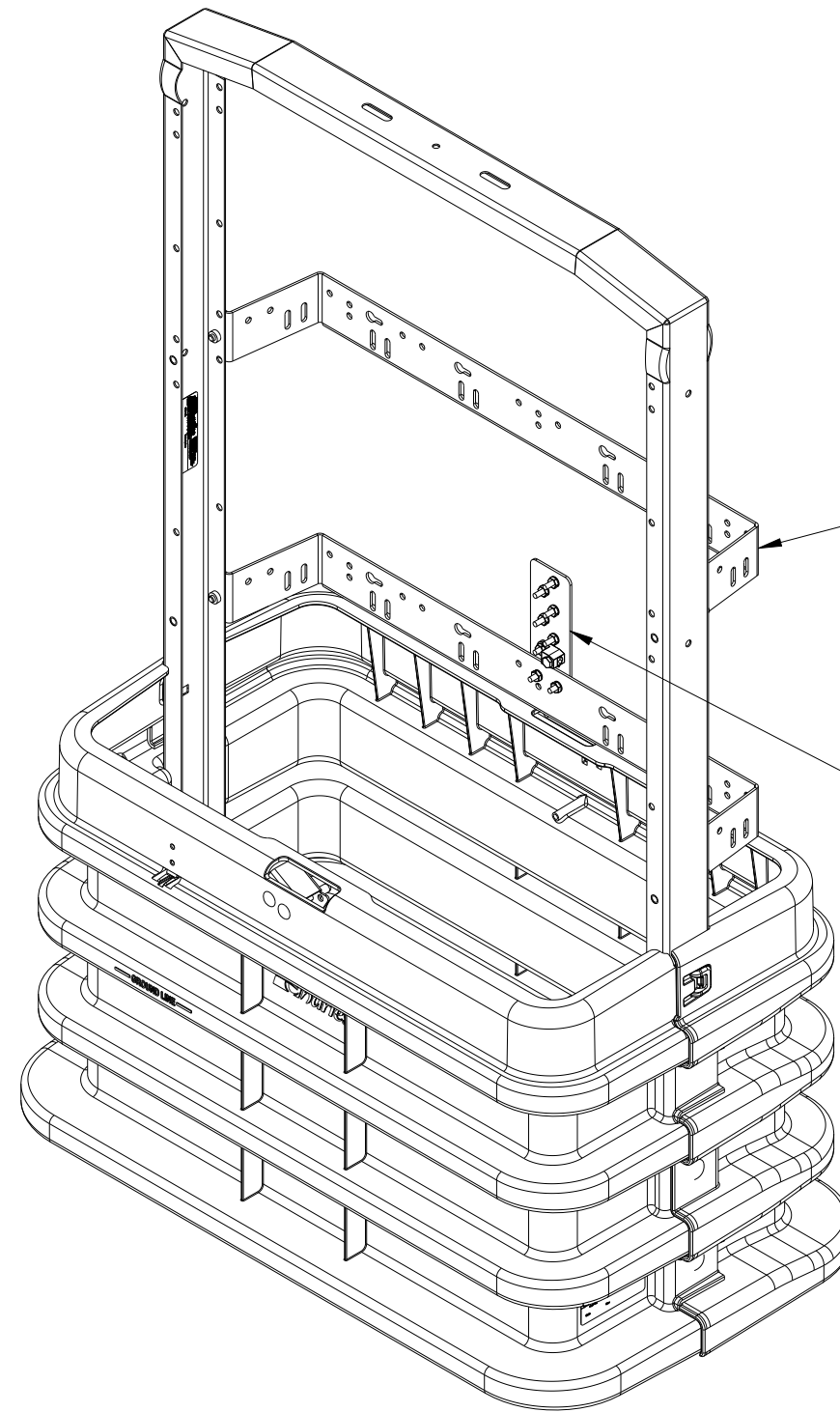
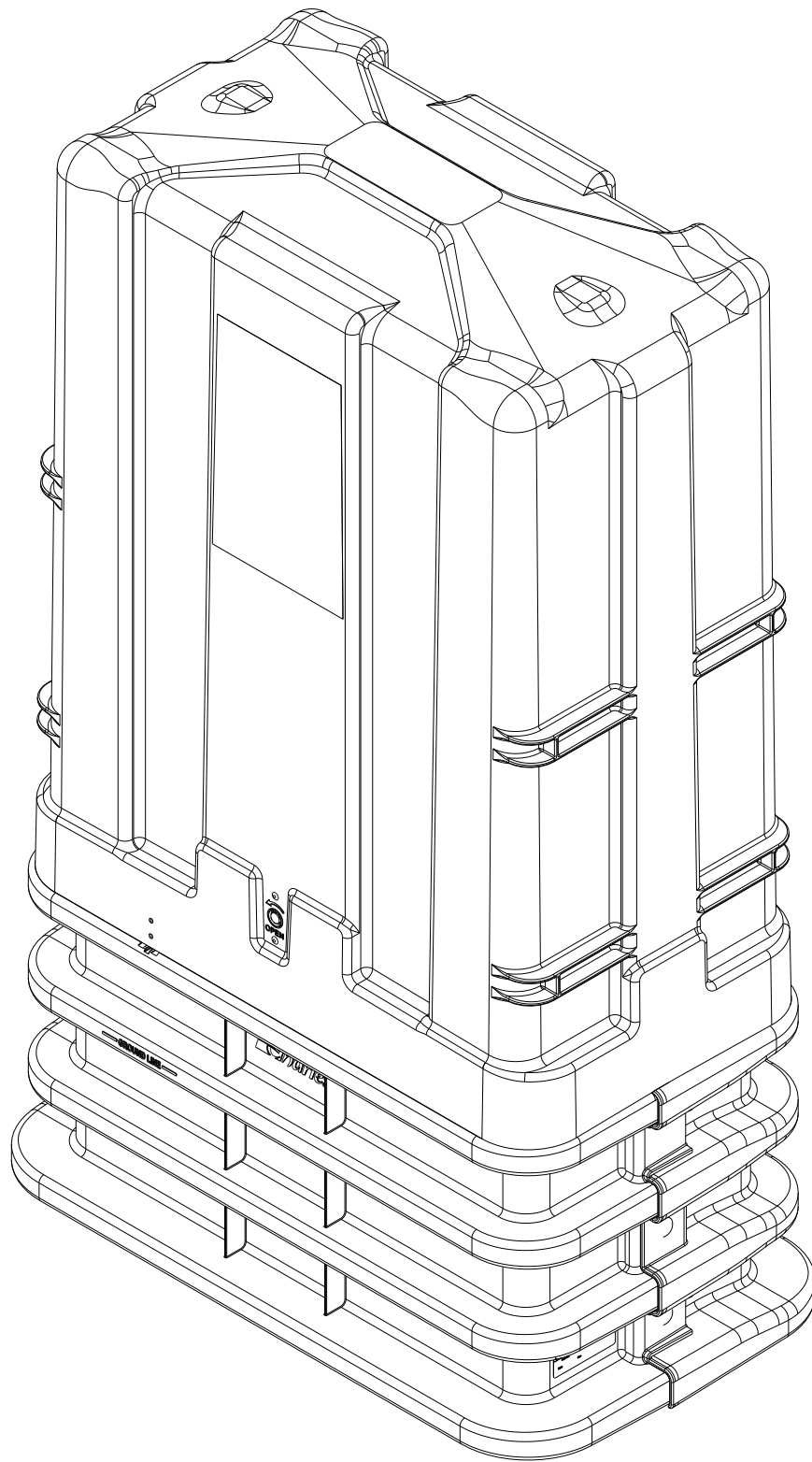
 Charles Industries, Ltd. www.charlesindustries.com	SIZE	DRAWING NO.	ISS.
	B	CMPH-75SFN/CL	REV. A
THIS IS THE PROPERTY OF CHARLES INDUSTRIES LTD. AND SHALL NOT BE REPRODUCED, COPIED OR USED IN ANY MANNER DETRIMENTAL TO THEIR INTERESTS.	SCALE .125	CAD FILE NAME CMPH-75SFN-CL	SHEET 1 of 2

4

3

2

1



OFFSET FIBER BRACKET (X2)

BOND BAR



SIZE  
B

DRAWING NO.  
CMPH-75SFN/CL

ISS.  
REV.  
A

THIS IS THE PROPERTY OF CHARLES INDUSTRIES LTD. AND SHALL NOT BE REPRODUCED, COPIED OR USED IN ANY MANNER DETRIMENTAL TO THEIR INTERESTS.

SCALE .150

CAD FILE NAME  
CMPH-75SFN-CL

SHEET

2 of 2

3

2 DO NOT SCALE DRAWING

1