

Charles Walk-In Closure (WIC)

Thermally Regulated Walk-In Cabinet for Remote Base Stations

A lighter weight alternative to concrete shelters, the WIC provides the ability for remote site installation with no maintenance. With the use of the Charles Thermal Management System (CTMS) as the closure's main thermal system, the WIC offers energy savings over current concrete buildings and huts.



Specifications:

Construction:	12 GA Steel Welded Construction, Cool White Finish
Mounting Style:	Helical/Pad or Platform Mount Enclosure
Thermal Management:	(4) 6,000 watt Charles Thermal Management Systems (CTMS) each equipped with 500 watt Heater (1) Intelligent Vent System (IVS) (1) Optional 10,000 BTU DC Powered HVAC
Door Latching:	Keyless Entry Handle in Front
Equipment Racks:	Supports (4) 26"W x 84"H Racks
Cable Entrance:	Up to (32) Top Entry Cable Ports, (8) populated (2) Optional ports for DC Generator Cable Entry (4) Bottom Entry 24-Port Roxtec (2) GPS antenna entry ports, (1) on each side (3) 3" Knockouts on rear serve as entry for rear exterior mounted Raycap units
Alarms:	Door Intrusion, High Temperature, Thermal System Failure
Other:	Laptop Tray / Document Holder DC Interior / Exterior Lights 12" Cable Ladder above Racks, Convenience Outlet

Charles Part #	Description
ERNSB10x10WIC-01	NSB 10'x10' Walk-in-Cabinet (WIC) Fully Configured Ericsson RAN
NONSB10x10WIC-01	NSB 10'x10' Walk-in-Cabinet (WIC) Fully Configured Nokia RAN

Charles Part #	Description
97-MICWVPRKIT	(2) Kits of Four Microwave Cable Entry Ports Installed on Mounting Plate. Can be installed in multiple positions around the WIC. (8) total Microwave Entries
97-9CBLPORTKIT	(2) Kits of Four Cable Entry Ports Supporting (9) .605 cables Installed on Mounting Plates. Can be installed in multiple positions around the WIC. (8) total Entries
97-DCGENPORTKIT	(2) DC Generator Cable Ports Installed on Mounting Plate
97-1010WICSTRKT	Stair Kit. Used only when direct mounting on Concrete Pad

Charles Walk-In Closure (WIC)

Thermally Regulated Walk-In Cabinet for Remote Base Stations

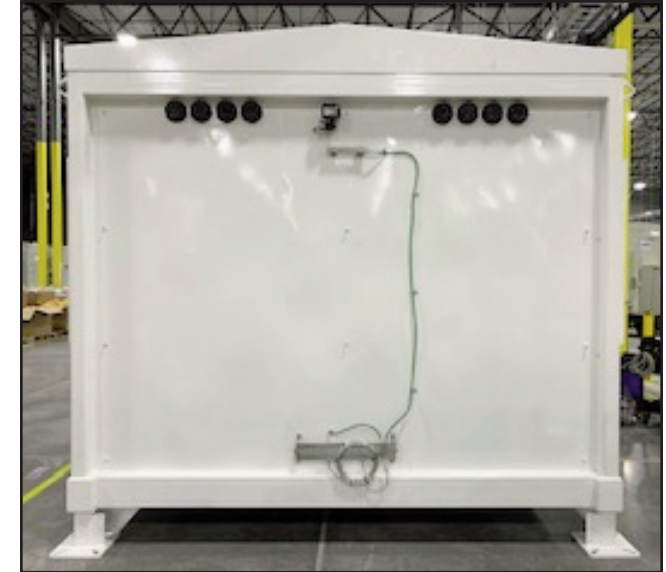
WIC PHOTOS



On-Site Crane Installation



Interior View - Ericsson Racks



Rear View



Side View

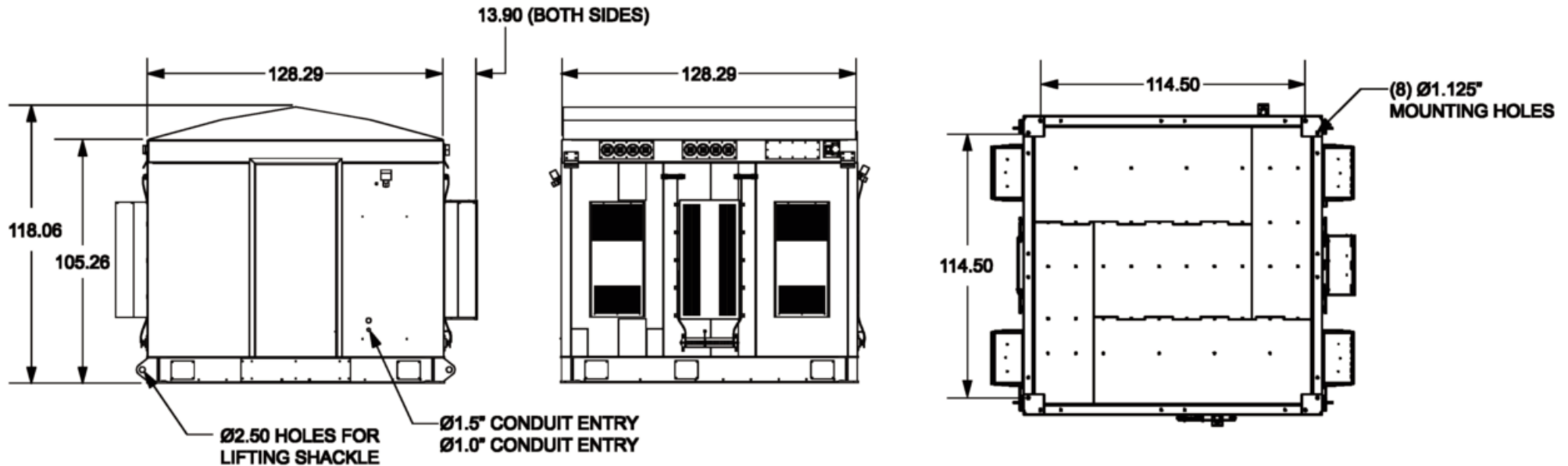


Charles Walk-In Closure (WIC)

Thermally Regulated Walk-In Cabinet for Remote Base Stations

WIC DIMENSIONS

All dimensions given in inches



Approx. Dimensions: 10"H x 10"W x 10"D

Approx. Weight: 7850 lbs. without equipment racks
13,850 lbs. with equipment racks

Ventilation System: Charles IVS, 83-008367-0, -48VDC

Bonding & Grounding: 12 and 24 position ground bars
on the sides and rear (external)

46 position master ground bar on
rear wall (internal)

Operating Temp. Range, Outside Enclosure: -40° to +115°F, -40° to 46°C

Operating Temp Range, Inside Enclosure: -40° to +131°F, -40° to 55°C

Humidity: 0 to 95% (non-condensing)

Altitude: Up to 2,000 meters (6560 feet)



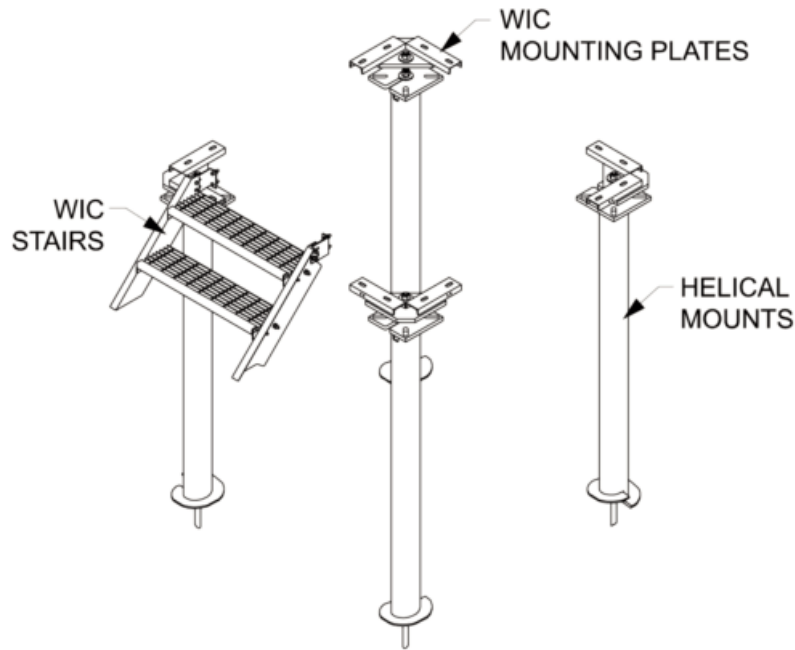
An Amphenol Company

Charles Walk-In Closure (WIC)

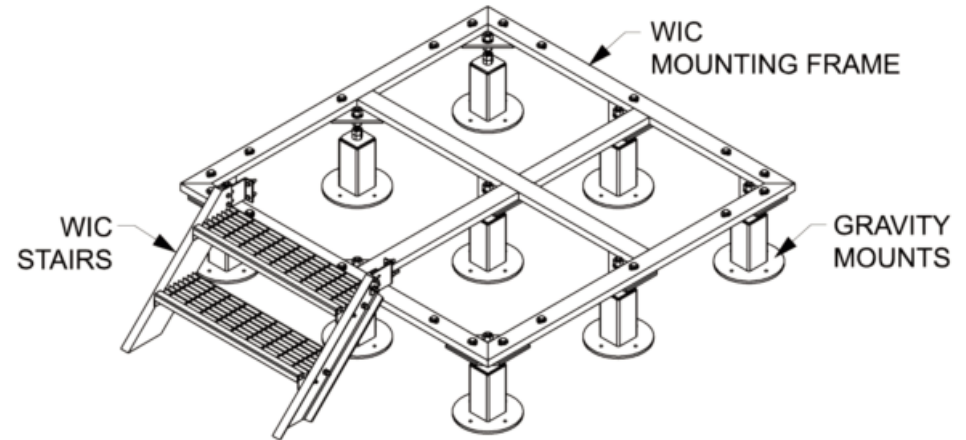
Thermally Regulated Walk-In Cabinet for Remote Base Stations

WIC MOUNTING KITS

Kits are ordered directly from Electro Mechanical Industries, Inc. (EMI). <https://www.emiproducts.com> • 1-800-453-0050
All dimensions given in inches



EMI Helical Mounting Kit



EMI Gravity Mounting Kit

Mounting Kit Accessories available directly from EMI (<https://www.emiproducts.com>):

Charles Part #	Description
1000-0000-0162	Charles Industries 10'x10' WIC Gravity Mount Frame with 9 Gravity Supports and 2 Step Stair
1000-0000-0101	Screw Pile Foundation, QTY(4), Base Plates for (4) Corners, 2 Step Stair and Leveling Hardware
D1007-0000-0012	WIC Concrete Pad extensions (all 4 corners) 6"x11" Plates and 4-Bolt Leveling Hardware Kit