



## SHRD60 CONCEALMENT SHROUDS

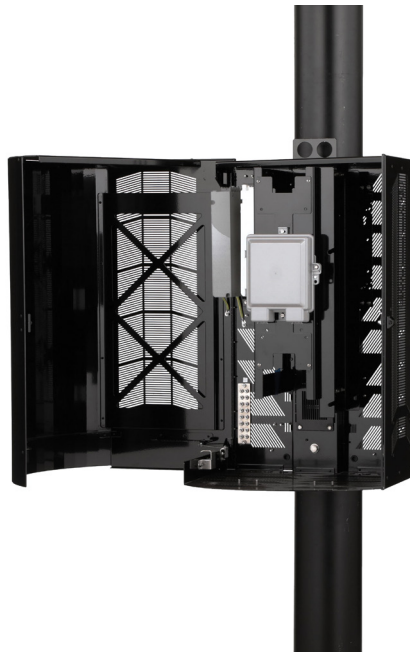
### Small Cell / Densification Shrouds for Wireless Networks

SHRD60 Series Concealment Shrouds provide mounting for wireless and ancillary equipment required for Small Cell / Densification deployments, including:

- Radios
- AC-to-DC power supplies
- Diplexers / combiners / splitters
- Fiber termination / slack storage
- Power termination / disconnect

#### FEATURES

- Curved shape matches the pole contour, eliminating right angles found in typical outside plant enclosures
- Integrated support spine allows for equipment to be installed and pre-wired at ground level, on-site or at a staging facility
- Vented design to maintain thermal performance of radios and equipment without active cooling
- Powder coated finish to withstand the elements and provide superior corrosion resistance, offered in a variety of standard and custom colors to match the pole on which it will be installed (standard colors include: off-white, black, textured gray, and National Park Brown)
- Cable raceways with tie-points for routing and securing cabling inside shroud
- Hinged padlockable door with wind latch for ease of service and maintenance
- Lift points for ease of installation on utility poles, light poles or other pole-mount locations
- Integrated support spine to accommodate mounting to wood, steel, concrete or composite poles





**30" High SH60-301814  
for 4 Low Power Radios**

Dimensions:	30"Hx18"Wx14"D
Volume:	4.375 ft <sup>3</sup>
Weight (Empty):	55 lbs.
Weight (Max Load):	165 lbs. typical
Construction:	Spine: 12 gauge steel Door/Sides: .125" aluminum
Bonding/Grounding:	One 8 position ground bar
Operating Temp:	-40° to +131°F, Inside Enc.; -40° to +115°F, Outside Enc.
Humidity:	0 to 95% (non-condensing)
Altitude:	Up to 2,000 meters (6560')



**36" High SH60-362018  
for 1 High Power Radio**

*May also be used for multiple low power radios*

Dimensions:	36"Hx20"Wx18"D
Volume:	7.5 ft <sup>3</sup>
Weight (Empty):	54 lbs.
Weight (Max Load):	186 lbs. typical
Construction:	Spine: 12 gauge steel Door/Sides: .125" aluminum
Bonding/Grounding:	One 8 position ground bar
Operating Temp:	-40° to +131°F, Inside Enc.; -40° to +115°F, Outside Enc.
Humidity:	0 to 95% (non-condensing)
Altitude:	Up to 2,000 meters (6560')



**36" High SH60-362322  
for 1 High Power Radio**

*May also be used for multiple low power radios*

Dimensions:	36"Hx23"Wx22"D
Volume:	10.5 ft <sup>3</sup>
Weight (Empty):	77 lbs.
Weight (Max Load):	220 lbs. typical
Construction:	Spine: 12 gauge steel Door/Sides: .125" aluminum
Bonding/Grounding:	One 8 position ground bar
Operating Temp:	-40° to +131°F, Inside Enc.; -40° to +115°F, Outside Enc.
Humidity:	0 to 95% (non-condensing)
Altitude:	Up to 2,000 meters (6560')



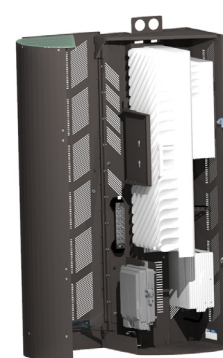
**46" High SH60-461414  
for 4 Low Power Radios**

Dimensions:	46"Hx14"Wx14"D
Volume:	5.2 ft <sup>3</sup>
Weight (Empty):	50 lbs.
Weight (Max Load):	130 lbs. typical
Construction:	Spine: 12 gauge steel Door/Sides: .125" aluminum
Bonding/Grounding:	One 14 position ground bar
Operating Temp:	-40° to +131°F, Inside Enc.; -40° to +115°F, Outside Enc.
Humidity:	0 to 95% (non-condensing)
Altitude:	Up to 2,000 meters (6560')



**46" High SH60-461814  
for 7 Low Power Radios**

Dimensions:	46"Hx18"Wx14"D
Volume:	6.73 ft <sup>3</sup>
Weight (Empty):	68 lbs.
Weight (Max Load):	155 lbs. typical
Construction:	Spine: 12 gauge steel Door/Sides: .125" aluminum
Bonding/Grounding:	One 8 position ground bar
Operating Temp:	-40° to +131°F, Inside Enc.; -40° to +115°F, Outside Enc.
Humidity:	0 to 95% (non-condensing)
Altitude:	Up to 2,000 meters (6560')

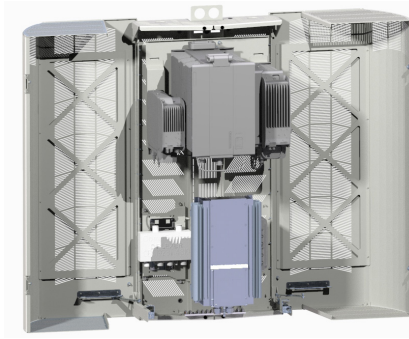


**48" High SH60-481616  
for High Power Radios**

Dimensions:	48"Hx16"Wx16"D
Volume:	7.11 ft <sup>3</sup>
Weight (Empty):	76 lbs.
Weight (Max Load):	193 lbs. typical
Construction:	Spine: 12 gauge steel Door/Sides: .125" aluminum
Bonding/Grounding:	One 8 position ground bar
Operating Temp:	-40° to +131°F, Inside Enc.; -40° to +115°F, Outside Enc.
Humidity:	0 to 95% (non-condensing)
Altitude:	Up to 2,000 meters (6560')



**48" High SH60-482020  
for High Power Radios**



**48" High SH60-482420  
for High Power Radios**

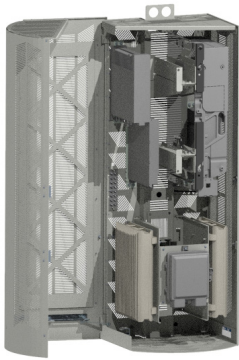


**50" High SH60-503027  
for High Power Radios**

Dimensions:	48"Hx20"Wx20"D
Volume:	11.11 ft <sup>3</sup>
Weight (Empty):	90 lbs.
Weight (Max Load):	210 lbs. typical
Construction:	Spine: 12 gauge steel Door/Sides: .125" aluminum
Bonding/Grounding:	One 8 position ground bar
Operating Temp:	-40° to +131°F, Inside Enc.; -40° to +115°F, Outside Enc.
Humidity:	0 to 95% (non-condensing)
Altitude:	Up to 2,000 meters (6560')

Dimensions:	48"Hx24"Wx20"D
Volume:	13.33 ft <sup>3</sup>
Weight (Empty):	125 lbs.
Weight (Max Load):	375 lbs. typical
Construction:	Spine: 12 gauge steel Door/Sides: .125" aluminum
Bonding/Grounding:	One 12 position ground bar
Operating Temp:	-40° to +131°F, Inside Enc.; -40° to +115°F, Outside Enc.
Humidity:	0 to 95% (non-condensing)
Altitude:	Up to 2,000 meters (6560')

Dimensions:	50"Hx30"Wx27"D
Volume:	23.4 ft <sup>3</sup>
Weight (Empty):	135 lbs.
Weight (Max Load):	395 lbs. typical
Construction:	Spine: 12 gauge steel Door/Sides: .125" aluminum
Bonding/Grounding:	One 14 position ground bar
Operating Temp:	-40° to +131°F, Inside Enc.; -40° to +115°F, Outside Enc.
Humidity:	0 to 95% (non-condensing)
Altitude:	Up to 2,000 meters (6560')



**55" High SH60-552019  
for High Power Radio**



**70" High SH60-702018  
for 2 High Power Radios**



**70" High CI-COLO-702322  
for High Power Radios**

Dimensions:	55"Hx20"Wx19"D
Volume:	12.09 ft <sup>3</sup>
Weight (Empty):	109 lbs.
Weight (Max Load):	343 lbs. typical
Construction:	Spine: 12 gauge steel Door/Sides: .125" aluminum
Bonding/Grounding:	One 8 position ground bar
Operating Temp:	-40° to +131°F, Inside Enc.; -40° to +115°F, Outside Enc.
Humidity:	0 to 95% (non-condensing)
Altitude:	Up to 2,000 meters (6560')

Dimensions:	70"Hx20"Wx18"D
Volume:	14.5 ft <sup>3</sup>
Weight (Empty):	92 lbs.
Weight (Max Load):	290 lbs. typical
Construction:	Spine: 12 gauge steel Door/Sides: .125" aluminum
Bonding/Grounding:	One 14 position ground bar
Operating Temp:	-40° to +131°F, Inside Enc.; -40° to +115°F, Outside Enc.
Humidity:	0 to 95% (non-condensing)
Altitude:	Up to 2,000 meters (6560')

Dimensions:	70"Hx23"Wx22"D
Volume:	20.50 ft <sup>3</sup>
Weight (Empty):	226 lbs.
Weight (Max Load):	586 lbs. typical
Construction:	Spine: 12 gauge steel Door/Sides: .125" aluminum
Bonding/Grounding:	One 12 position ground bar
Operating Temp:	-40° to +131°F, Inside Enc.; -40° to +115°F, Outside Enc.
Humidity:	0 to 95% (non-condensing)
Altitude:	Up to 2,000 meters (6560')

### 30" HIGH SH60-301814 CONFIGURATIONS

PART NUMBER	DESCRIPTION	RADIOS & EQUIPMENT SUPPORTED
SH60-301814xNEN	30" Vented Curved Shroud	(4) Ericsson 220x/440x radios / (4) Nokia Airscale Micro radios

### 36" HIGH SH60-362018 CONFIGURATIONS

PART NUMBER	DESCRIPTION	RADIOS & EQUIPMENT SUPPORTED
SH60-362018xNC1	36" Vented Curved Shroud	(1) Nokia AHFIA or AHBCA, (1) Nokia Airscale Micro, (1) Nokia FWHR
SH60-362018xNE5	36" Vented Curved Shroud	(1) Ericsson 8843, or 4449, or 4478, or 4426, or 4415 RRH and (2) Ericsson 220x/440x RRHs
SH60-362018xNN7	36" Vented Curved Shroud	(1) Nokia AHxxx RRH

### 36" HIGH SH60-362322 CONFIGURATIONS

PART NUMBER	DESCRIPTION	RADIOS & EQUIPMENT SUPPORTED
SH60-362322xNN2	36" Vented Curved Shroud	(2) Nokia AHxxx 160W dual band RRHs, or (1) Nokia 160W AHxxx dual band RRH and (2) Nokia Airscale Micro RRHs, or (1) Nokia AHxxx 320W RRH
SH60-362322xNS1	36" Vented Curved Shroud	(1) Samsung 320W dual band RRH and (1) Samsung Micro RRH or (1) Samsung 160W dual band RRH and (2) Samsung Micro RRHs
SH60-362322xNE5	36" Vented Curved Shroud	(1) Ericsson 8843, or 4449, or 4478, or 4426, or 4415 RRH and (2) Ericsson 220x/440x RRHs
SH60-362322xNED	36" Vented Curved Shroud	(1) Ericsson 4455 & (1) Ericsson 8863 RRH
SH60-362322xNEH	36" Vented Curved Shroud	(1) Ericsson 8843, 4890HP, 4490HP, 4449, 4478, 4426, or 4415 RRH RRHs

### 46" HIGH SH60-461414 CONFIGURATIONS

PART NUMBER	DESCRIPTION	RADIOS & EQUIPMENT SUPPORTED
SH60-461414xNE1	46" Vented Curved Shroud	(4) Ericsson 220x/440x radios
SH60-461414xNN1	46" Vented Curved Shroud	(4) Nokia Airscale Micro radios
SH60-461414xNPN1	46" Vented Curved Shroud	(1) Commscope ION UH Remote

### 46" HIGH SH60-461814 CONFIGURATIONS

PART NUMBER	DESCRIPTION	RADIOS & EQUIPMENT SUPPORTED
SH60-461814xNE2	46" Vented Curved Shroud	(7) Ericsson 220x/440x RRHs
SH60-461814xNEA	46" Vented Curved Shroud	(1) Ericsson 4415 & (1) Ericsson 4426 RRH
SH60-461814xNN7	46" Vented Curved Shroud	(1) Nokia AHxxx & (1) Nokia Airscale Micro RRH
SH60-461814xNPN3	46" Vented Curved Shroud	(1) Commscope ION CAP-H Remote Unit

### 48" HIGH SH60-482420 CONFIGURATIONS

PART NUMBER	DESCRIPTION	RADIOS & EQUIPMENT SUPPORTED
SH60-482420xNET	48" Vented Curved Shroud	(1) Ericsson 4890HP, (1) Ericsson 4490HP, & either (1) Ericsson 4467 or (1) Ericsson 8863 RRH
SH60-482420xNN8	48" Vented Curved Shroud	(1) Nokia AHLBBA tri band RRH, (1) Nokia AHxxx RRH
SH60-482420xNNA	48" Vented Curved Shroud	(1) Nokia AHxxx & (1) Nokia AZHL
SH60-482420xNS1	48" Vented Curved Shroud	(1) Samsung 160/320W dual band, (1) Samsung LAA, (1) Samsung CBRS radio
SH60-482420xNXX	48" Vented Curved Shroud	Multiple configurations available. Consult your Charles Salesperson

### COLOR CODE & TOUCH-UP PAINT

Replace the "x" in the part number with the corresponding color that you want.

Eg. SH60-301814xNEN into SH60-301814ANEN for off-white color.

COLOR	COLOR CODE	TOUCH-UP PAINT
Off-White	A	02-000290-0
Gray, RAL7035	D	02-000590-0
Black	F	02-000589-0
National Park Brown	G	02-000585-0
Hunt Club Green	H	02-000599-0

## 50" HIGH SH60-503027 CONFIGURATIONS

PART NUMBER	DESCRIPTION	RADIOS & EQUIPMENT SUPPORTED
SH60-503027xNCD	50" Vented Curved Shroud	(1) Ericsson 8843, 4449, 4478, 4426, or 4415 & (1) Nokia AZHL
SH60-503027xNCE	50" Vented Curved Shroud	(1) Nokia AHxxx & (1) Nokia AZHL
SH60-503027xNE1	50" Vented Curved Shroud	(4) Ericsson 220x/440x radios
SH60-503027xNE7	50" Vented Curved Shroud	(2) Ericsson 8843, 4890HP, 4490HP, 4449, 4478, or 4426 (1) Ericsson 4415
SH60-503027xNE8	50" Vented Curved Shroud	(2) Ericsson RRUS11/12 OR (1) RRUS11/12 and (1) RRUW RRH, and (2) Ericsson 4415 or 4426 RRH
SH60-503027xNED	50" Vented Curved Shroud	(1) Ericsson 4455 & (1) Ericsson 8863 RRH
SH60-503027xNEG	50" Vented Curved Shroud	(1) Ericsson 4455 & (1) Ericsson 8863 & (1) Ericsson 4490HP or 4890HP RRHs
SH60-503027xNET	50" Vented Curved Shroud	(1) Ericsson 4890HP, (1) Ericsson 4490HP, either (1) Ericsson 4467 or (1) Ericsson 8863
SH60-503027xNS2	50" Vented Curved Shroud	(2) 320W Samsung dual band radios, (1) Samsung LAA, (1) Samsung CBRS

## 55" HIGH SH60-552019 CONFIGURATIONS

PART NUMBER	DESCRIPTION	RADIOS & EQUIPMENT SUPPORTED
SH60-552019xNEH	55" Vented Curved Shroud	(1) Ericsson 4490HP or 4890HP

## 65" HIGH SH60-652018 CONFIGURATIONS

PART NUMBER	DESCRIPTION	RADIOS & EQUIPMENT SUPPORTED
SH60-652018xNXX	65" Vented Curved Shroud	Multiple configurations available. Consult your Charles Salesperson

## 70" HIGH SH60-702018 CONFIGURATIONS

PART NUMBER	DESCRIPTION	RADIOS & EQUIPMENT SUPPORTED
SH60-702018xNE3	70" Vented Curved Shroud	Ericsson RRUS12 or RRUL11, (2) radios total
SH60-702018xNE4	70" Vented Curved Shroud	(2) Ericsson RUS32 radios
SH60-702018ANE7'	70" Vented Curved Shroud	(1) Ericsson 8843, (1) Ericsson 4449, (2) Ericsson 220x/440x radios
SH60-702018xNEC'	70" Vented Curved Shroud	(1) Ericsson 8843, 4449, 4478, 4426, or 4415, (1) Ericsson 4455 & (2) Ericsson 220x/440x RRHs
SH60-702018xNED'	70" Vented Curved Shroud	(1) Ericsson 4455 & (1) Ericsson 8863 & (2) Ericsson 220x/440x RRHs
SH60-702018xNN5	70" Vented Curved Shroud	(2) Nokia AHxxx 320W dual band radios
SH60-702018DNP2	70" Vented Curved Shroud	(3) Commscope ION CAP M radios
SH60-702018ANS2'	70" Vented Curved Shroud	(2) 320W Samsung dual band radios, (1) Samsung CBRS
SH60-702018xNXX	70" Vented Curved Shroud	Many custom configurations available. Consult your Charles Salesperson.

\*Contains (2) - 48VDC fans. Order optional g6-SH5660FNKIT1 if fan power supply is needed.

### COLOR CODE & TOUCH-UP PAINT

Replace the "x" in the part number with the corresponding color that you want.

Eg. SH60-301814xNEN into SH60-301814ANEN for off-white color.

COLOR	COLOR CODE	TOUCH-UP PAINT
Off-White	A	02-000290-0
Gray, RAL7035	D	02-000590-0
Black	F	02-000589-0
National Park Brown	G	02-000585-0
Hunt Club Green	H	02-000599-0

## SH60 ACCESSORIES

PART NUMBER	DESCRIPTION
97-002391x-A	3" Offset Bracket
97-002398x-A	5" Offset Bracket
97-002309x-A	7" Offset Bracket

\*An offset bracket and appropriate flush bracket kit (see below) are both required to do an offset installation.

## POLE MOUNT KITS

97-002351x-A	SH60-301814, RAL7035 Flush Bracket Kit
97-002349x-A	SH60-362018, RAL7035 Flush Bracket Kit
97-SHRD60051x-A	SH60-46, RAL7035 Flush Bracket Kit
97-002348x-A	SH60-48/SH60-503027, RAL7035 Flush Bracket Kit
97-002368x-A	SH60-652018 Flush Bracket Kit
97-002380x-A	SH60-552019 Flush Pole Mounting Kit
97-002342x-A	SH60-702018 Flush Mounting Kit

## MISCELLANEOUS ACCESSORIES

96-SH5660FNKIT1	AC to 48VDC power supply for fans, factory installed
97-003005A-A	Squirrel Guard Kit for SHRD60

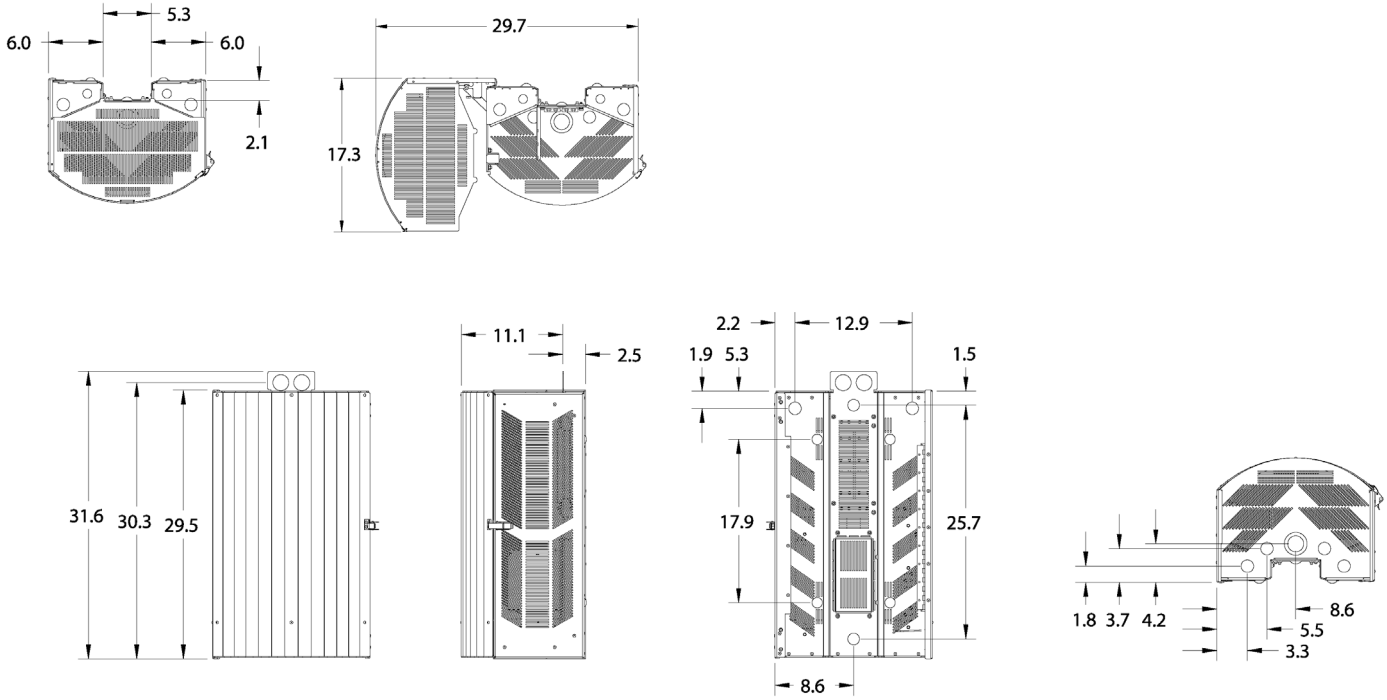
## COLOR CODE & TOUCH-UP PAINT

Replace the "x" in the part number with the corresponding color that you want.

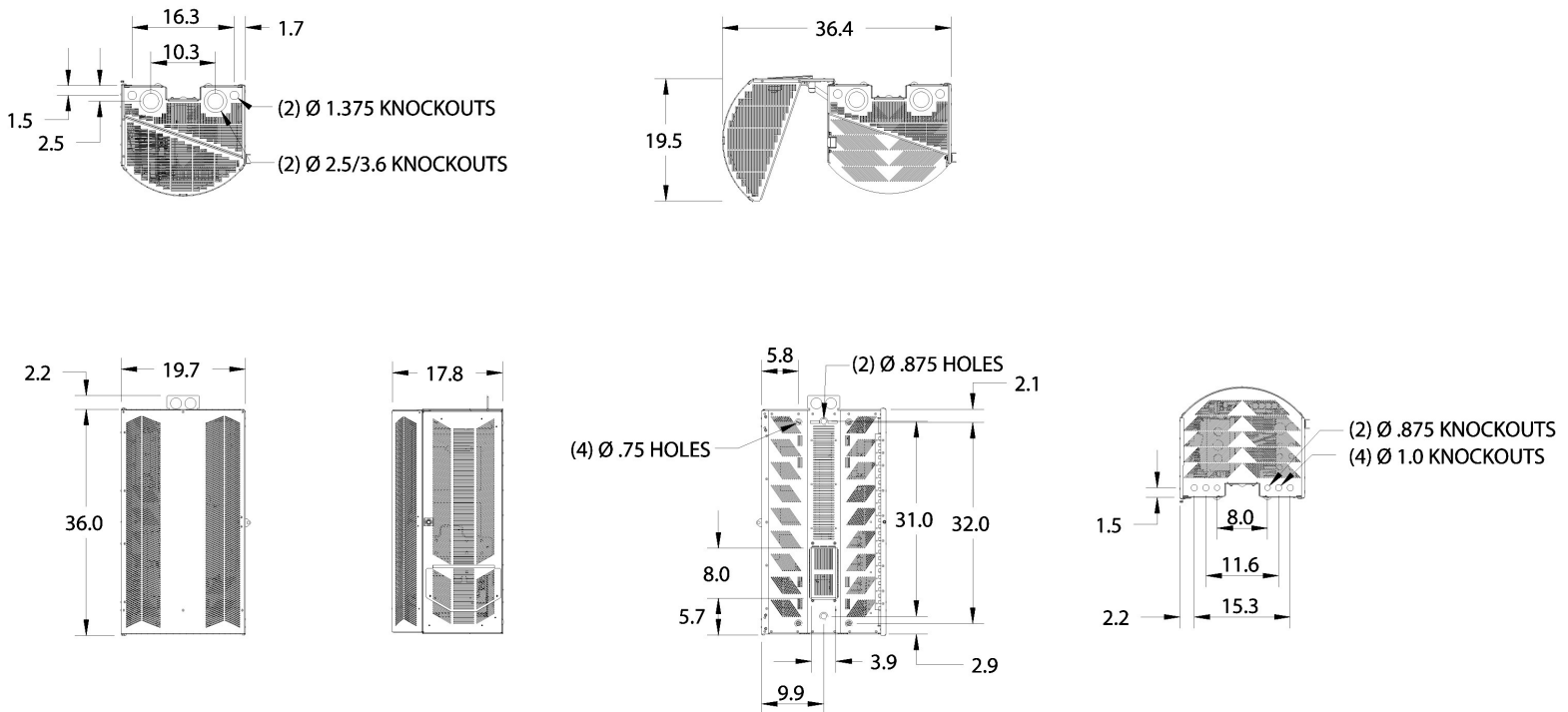
Eg. SH60-301814xNEN into SH60-301814ANEN for off-white color.

COLOR	COLOR CODE	TOUCH-UP PAINT
Off-White	A	02-000290-0
Gray, RAL7035	D	02-000590-0
Black	F	02-000589-0
National Park Brown	G	02-000585-0
Hunt Club Green	H	02-000599-0

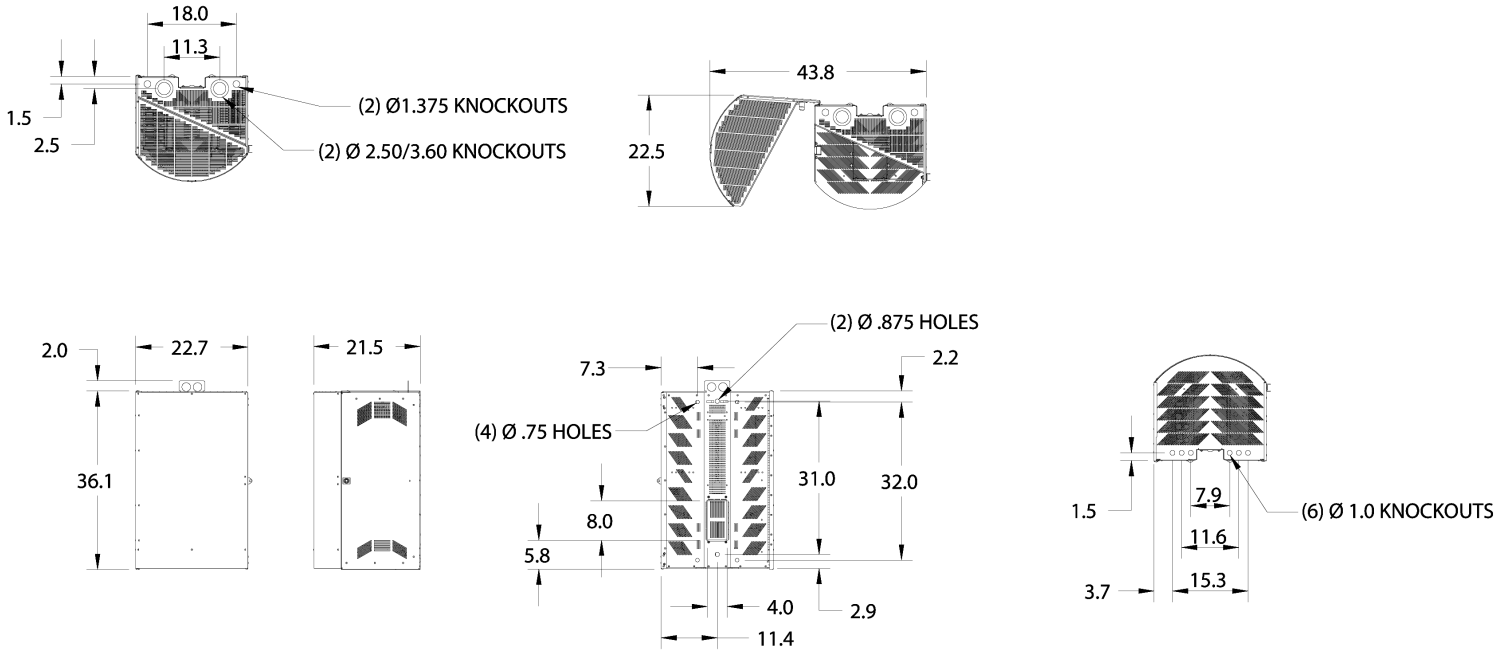
30" HIGH SH60-301814 DIMENSIONS (in.)



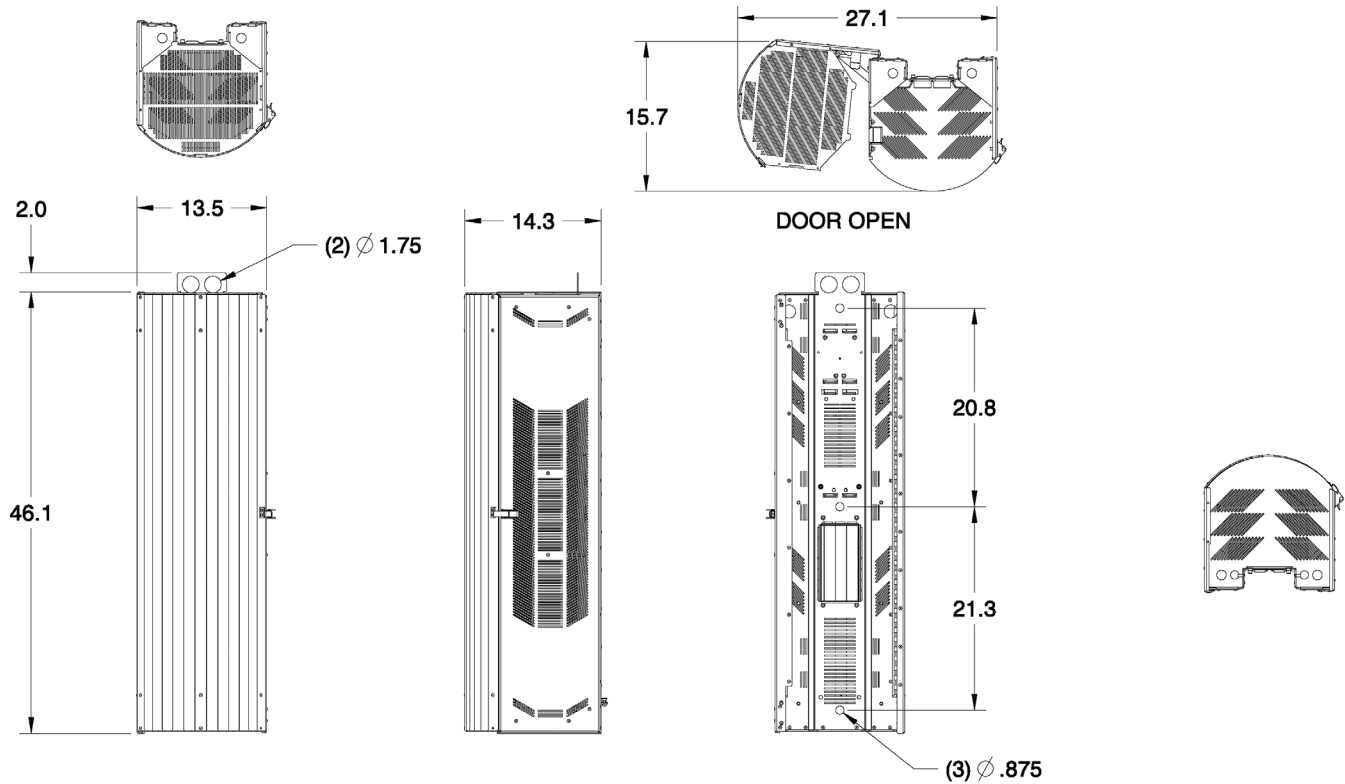
36" HIGH SH60-362018 DIMENSIONS (in.)



36" HIGH SH60-362322 DIMENSIONS (in.)

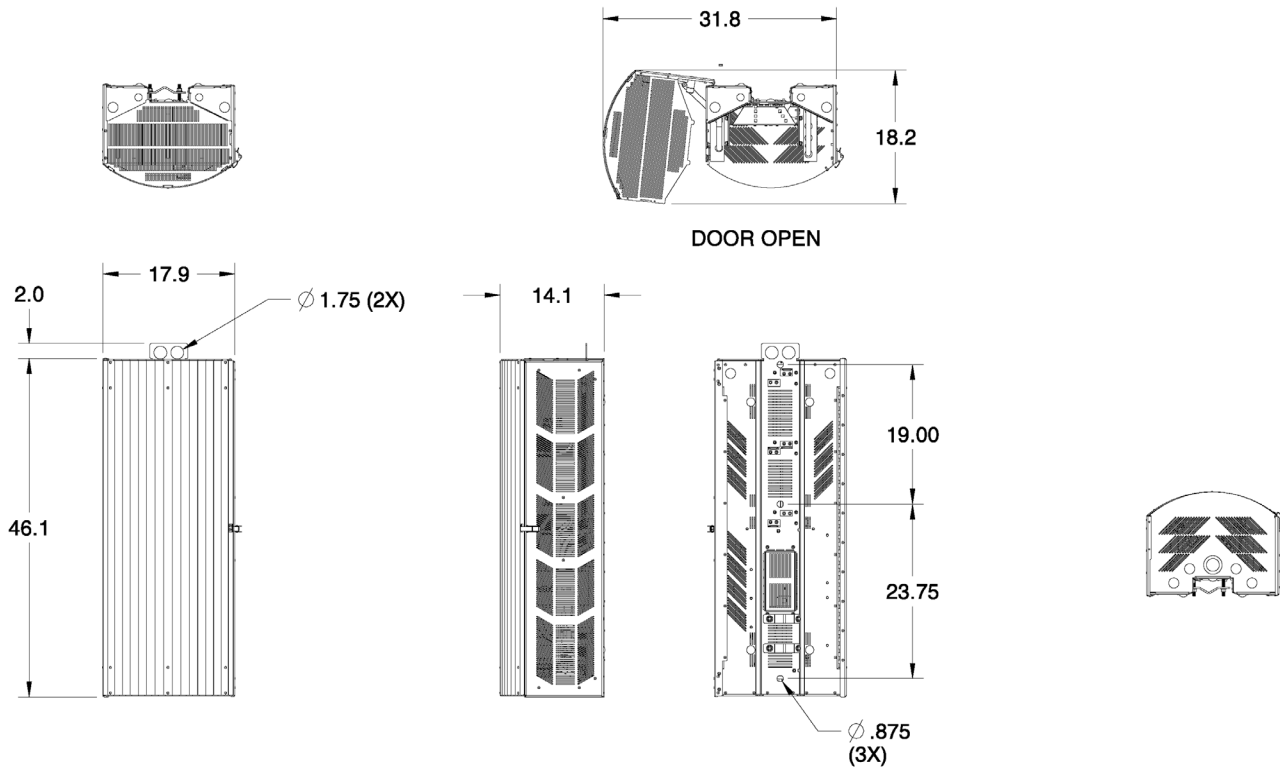


46" HIGH SH60-461414 DIMENSIONS (in.)

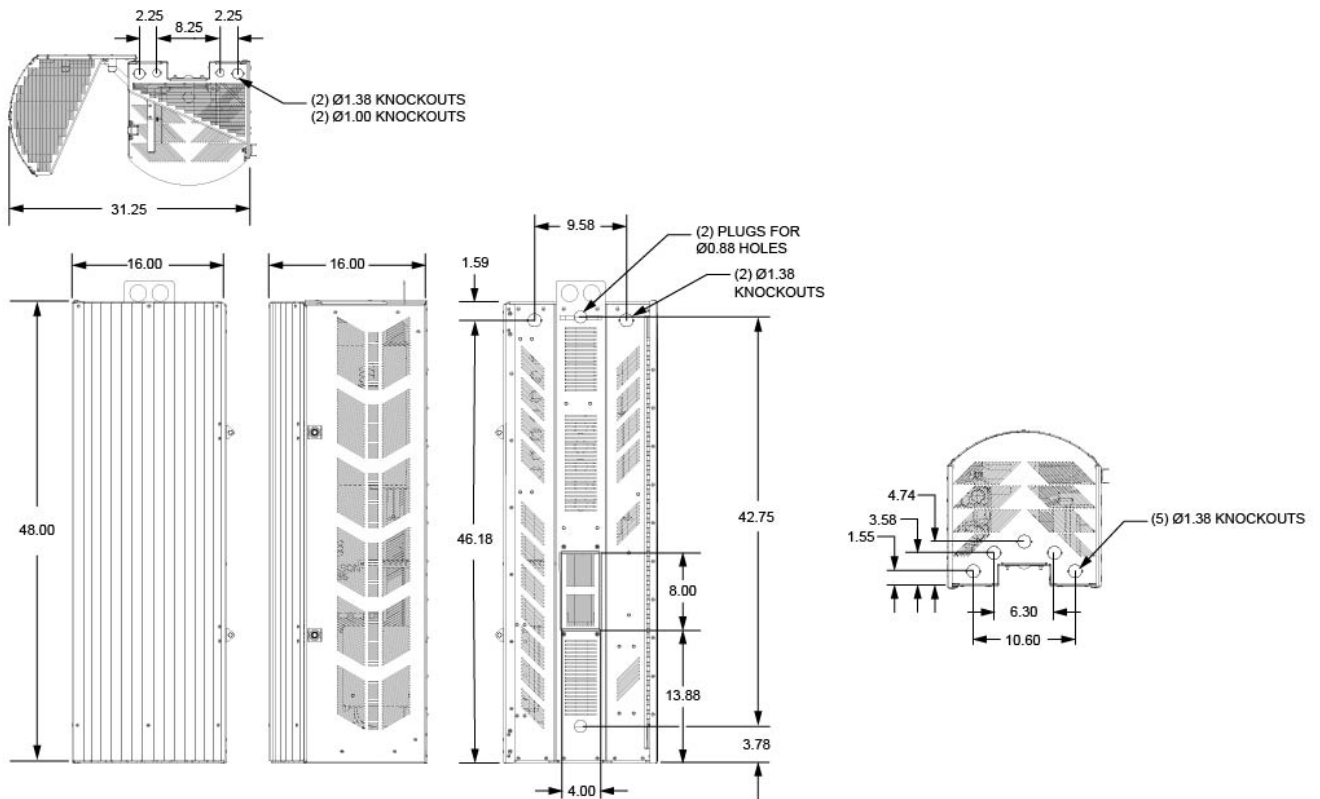




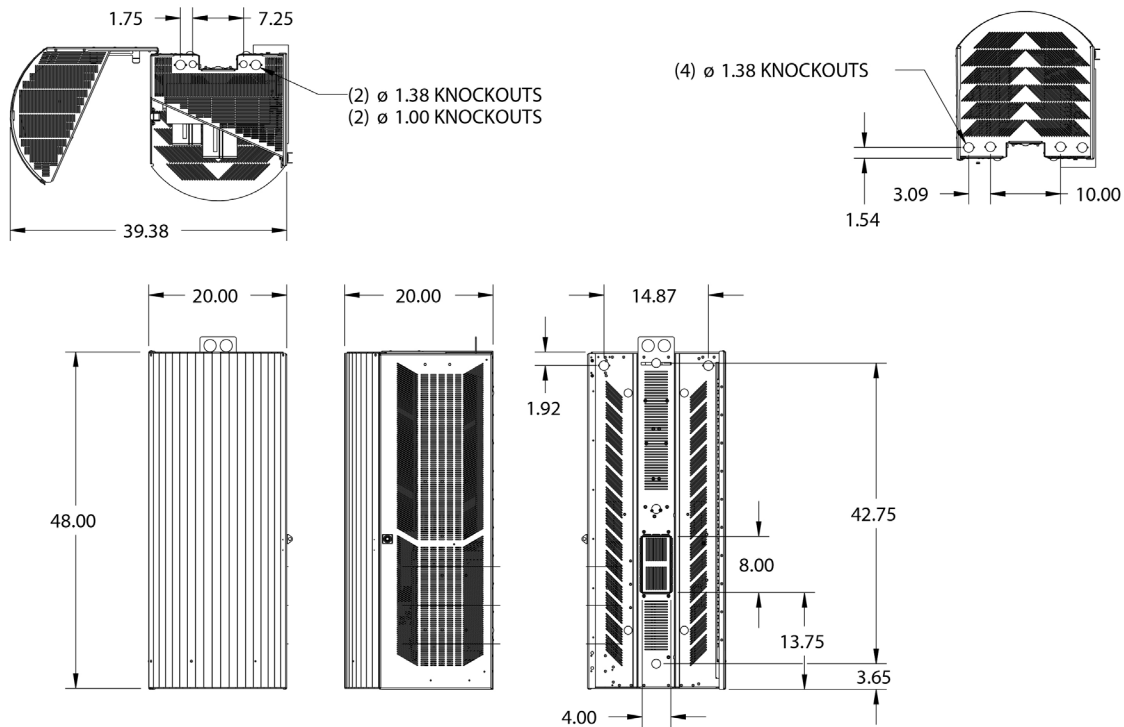
46" HIGH SH60-461814 DIMENSIONS (in.)



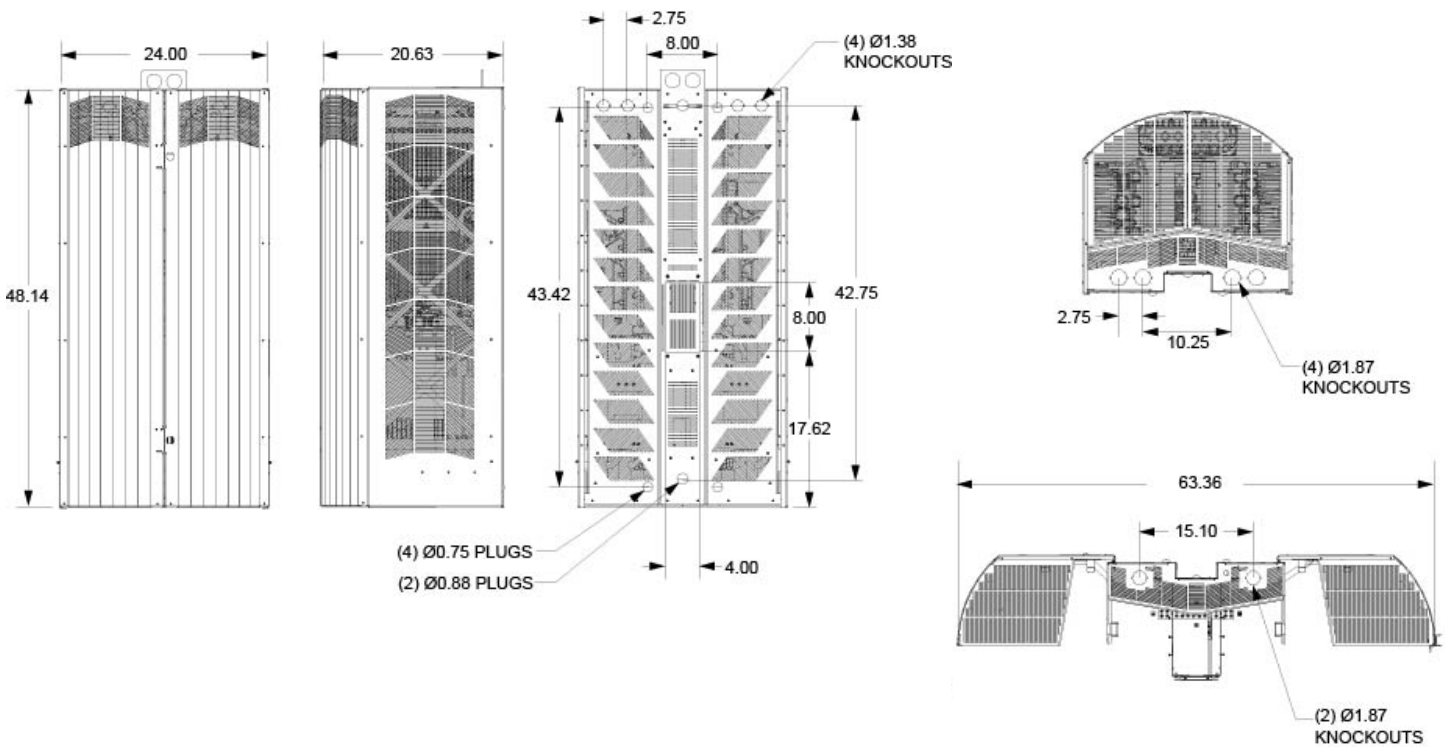
48" HIGH SH60-481616 DIMENSIONS (in.)



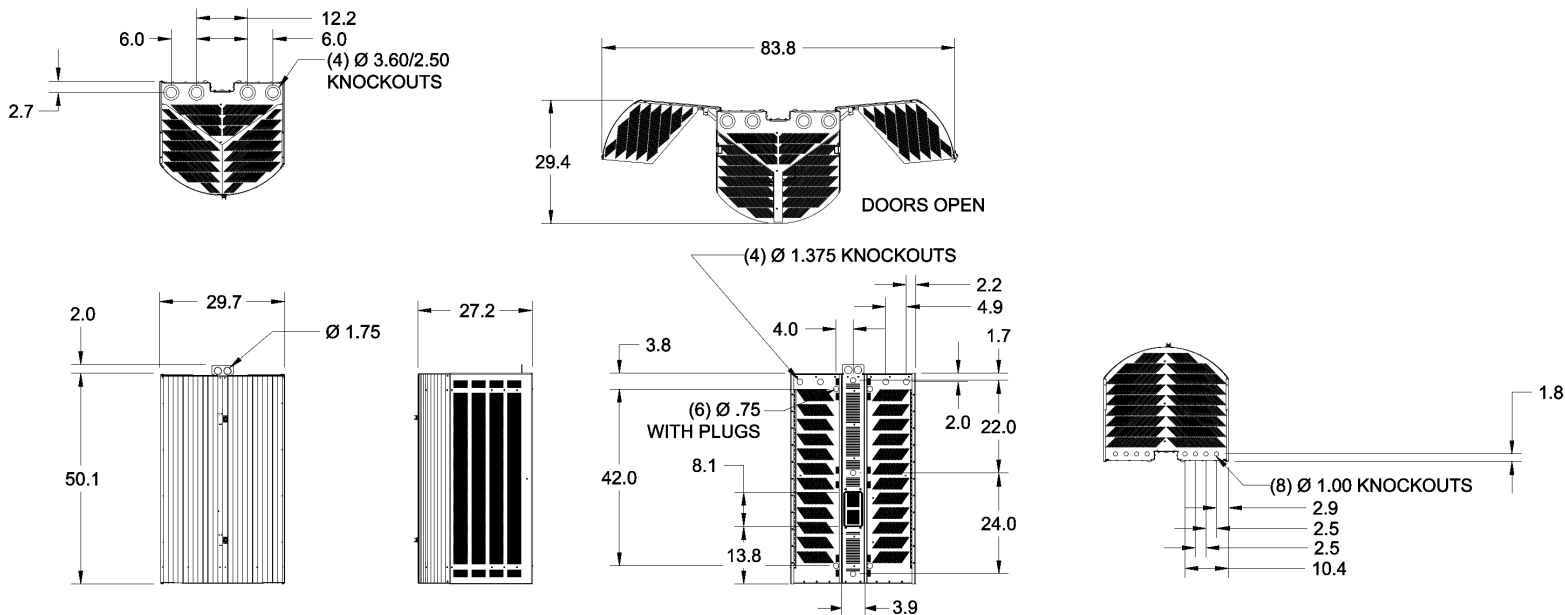
48" HIGH SH60-482020 DIMENSIONS (in.)



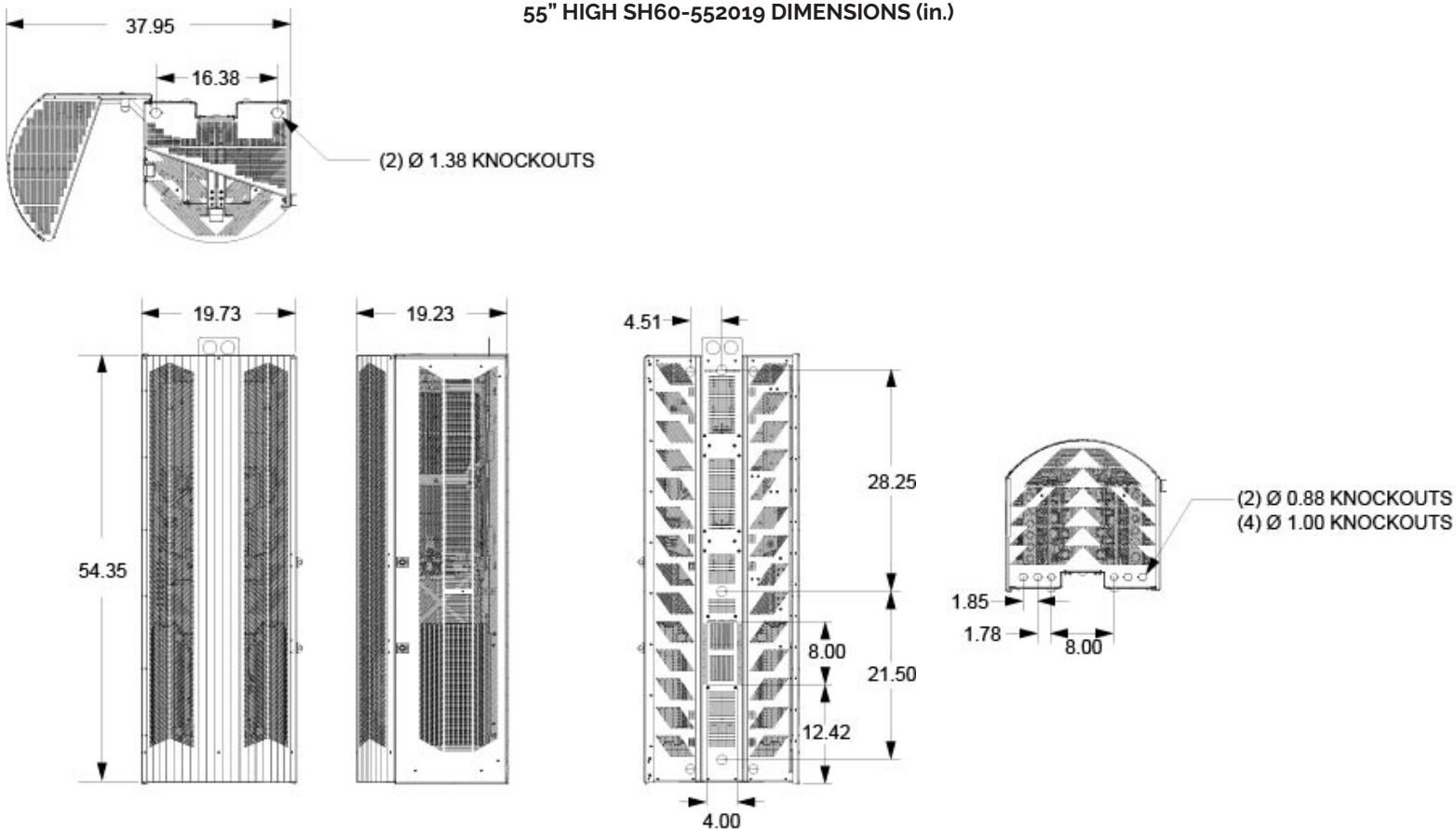
48" HIGH SH60-482420 DIMENSIONS (in.)



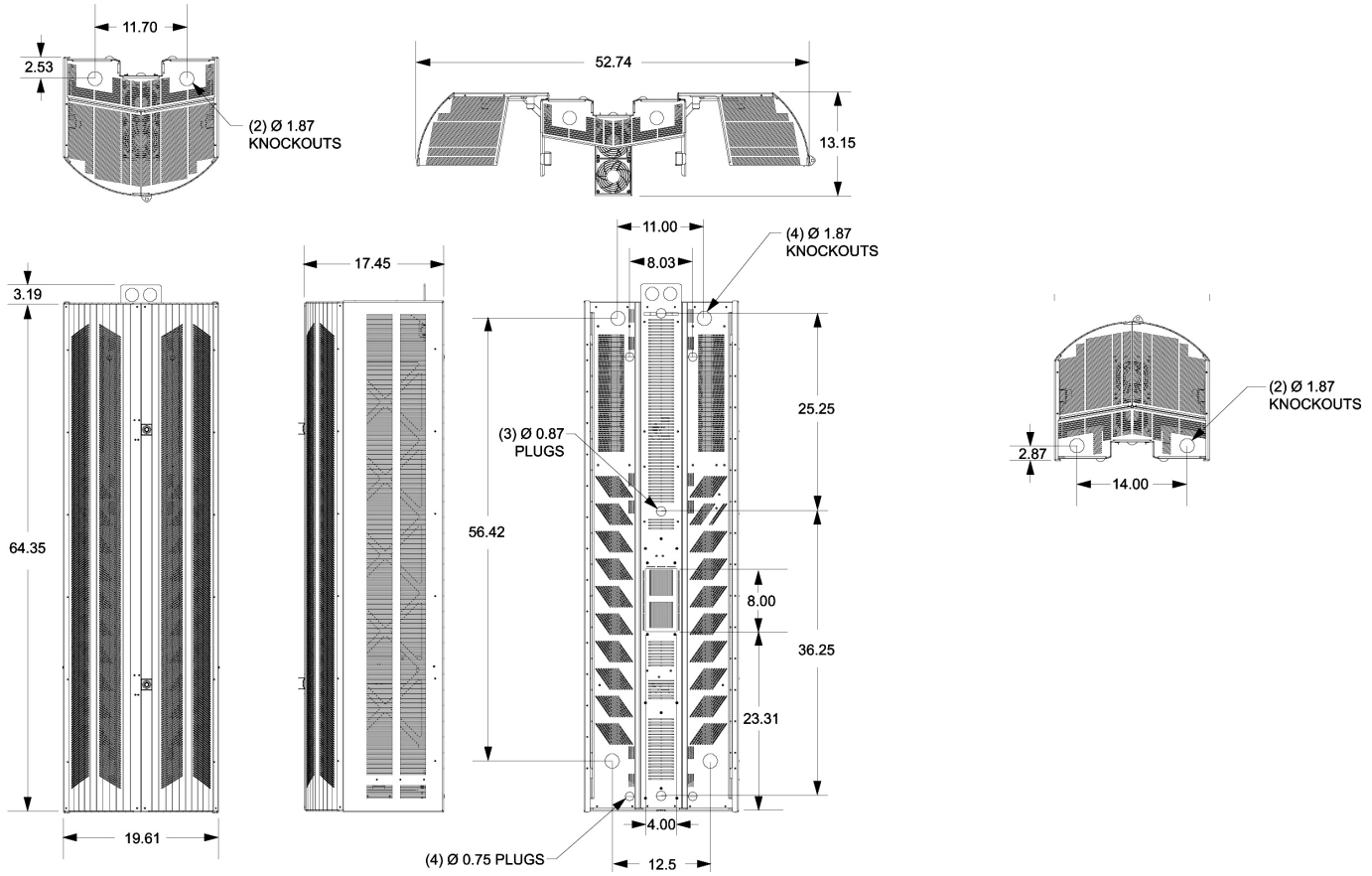
50" HIGH SH60-503027 DIMENSIONS (in.)



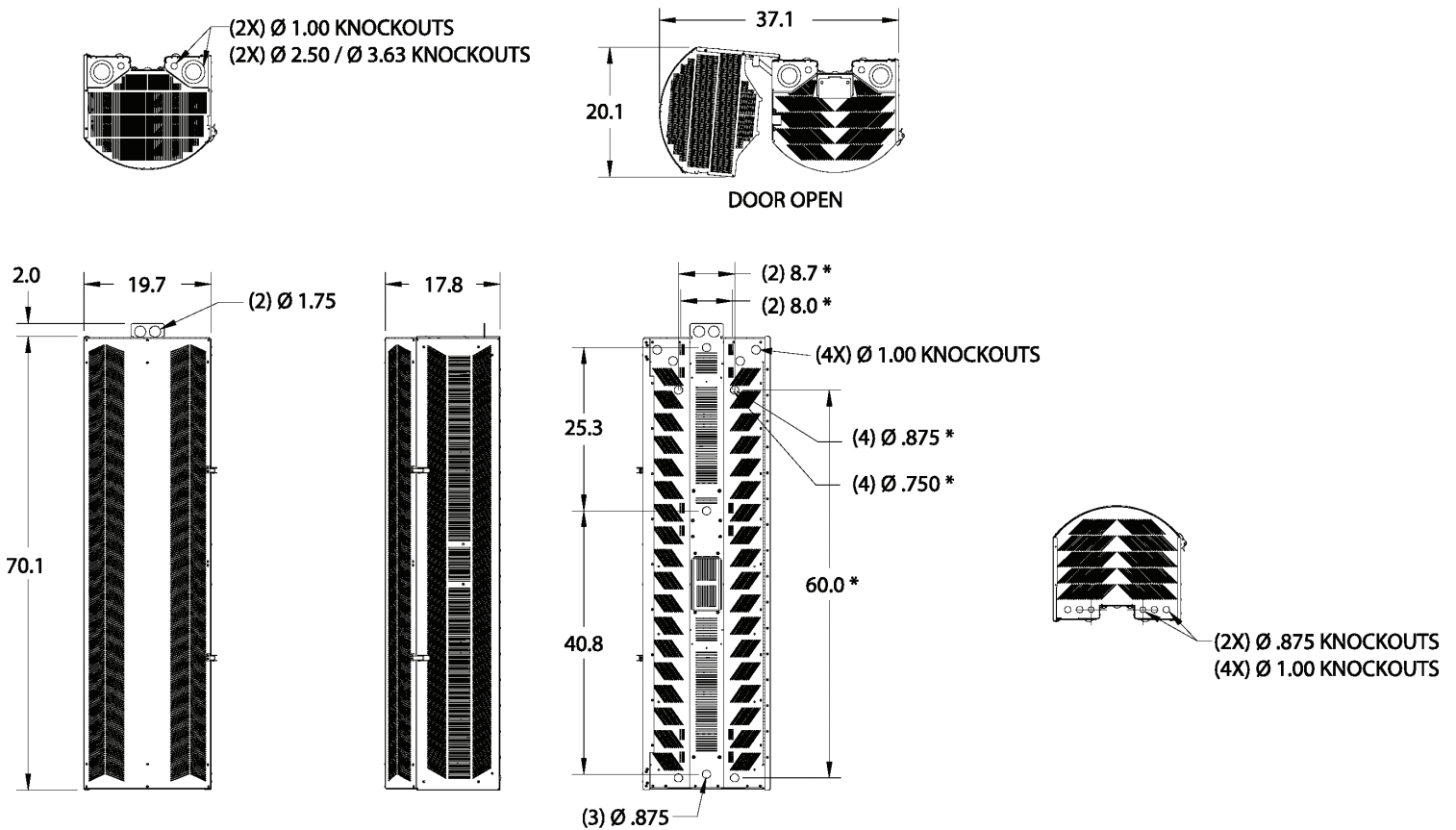
55" HIGH SH60-552019 DIMENSIONS (in.)



### 65" HIGH SH60-652018 DIMENSIONS (in.)



### 70" HIGH SH60-702018 DIMENSIONS (in.)



70" HIGH CI-COLO-702322 DIMENSIONS (in.)

