

Charles Universal Broadband Enclosures (CUBE) CUBE ID6 Series Indoor Solutions



CUBE ID Series cabinets address the needs of indoor wireless applications. ID Series enclosures feature optional kits such as power, equipment, battery compartments, and direct air cooled solutions in indoor equipment areas. Various rack space options are available to choose from: 45RU, 36RU or 18RU with front and rear mounting space for 19" or 23" rack mount equipment. Cabinets support various DAS, Small Cell, or Wi-Fi electronics. Optional slanted vented shelves and slide-out laptop tray kits are available. An optional battery chamber supports one string of 48VDC Saft Tel.X 180 Ah NiCd or 170 Ah VRLA batteries.

Specifications

Construction	Welded .105" Galvanized Steel Frame with .125" Aluminum Removable Side, Top and Bottom Panels
Finish	Powder Coated Black Finish
Mounting Style	Indoor Floor Mount
Thermal Management	Passive or Direct Air Cooled, with optional Modular Door Mounted Fan Kits consisting of 3 Sets of Dual 243CFM
Rack Mounting	19" or 23" EIA
Alarm Terminal Panel	14 Position
Optional Power Panel	100A Dual Feed Breaker Panel or GE SPS Power Plant Kit
Operating Temp. Range	-40°F to 131°F (-40°C to 55°C)
Humidity	0 to 95% (non-condensing)



Part Number	Dimensions (HxWxD)	Description
CUBE-ID64512HN1	84"x26"x29"	45RU, 23" rack mount equipment chamber – Non-Configured (Empty) Cabinet
CUBE-ID63612HN1	65"x26"x29"	36RU, 23" rack mount equipment chamber – Non-Configured (Empty) Cabinet
CUBE-ID61812HN1	32"x26"x29"	18RU, 23" rack mount equipment chamber – Non-Configured (Empty) Cabinet
96-BATTERYCHAM1	17"x26"x29"	Battery chamber add-on, holds one string of TEL.X 180Ah NiCd or 170Ah VRLA 48VDC batteries
96-SLANTEDVTRAY	—	19" slanted, vented shelf kit for holding Remote Radio Units (Small Cells, DAS and WiFi)
96-001999-A	—	23" sliding laptop tray, insalled on the inside of the equipment compartment door
96-001999-B	—	19" sliding laptop tray, insalled on the inside of the equipment compartment door
96-ID63PAIRFAN	—	Delta PFB1248UHE-EP 3-Pair DAC (Direct Air Cooling) fan kit
96-CABLEDUCTRU1	—	Vertical cable management duct kit (45RU, 36RU and 18RU)
96-ID636RK19EXT	—	23" to 19" 36RU rack extender kit for the CUBE-ID636, front and rear (4 brackets total)
96-ID645RK19EXT	—	23" to 19" 45RU rack extender kit for the CUBE-ID645, front and rear (4 brackets total)
96-GESPS-90-08	—	Integrated GE SPS Power Plant Kit: 2 RU (1) 1 RU 3 slot rectifier shelf, individual feed, GE 150028853 (1) 1 RU Distribution Shelf, 8 Snapack breakers, (2) Battery breakers, GE 150038445

For additional product information, please visit www.charlesindustries.com

OG-OSP023-E18

INNOVATIVE ENCLOSED SOLUTIONS™

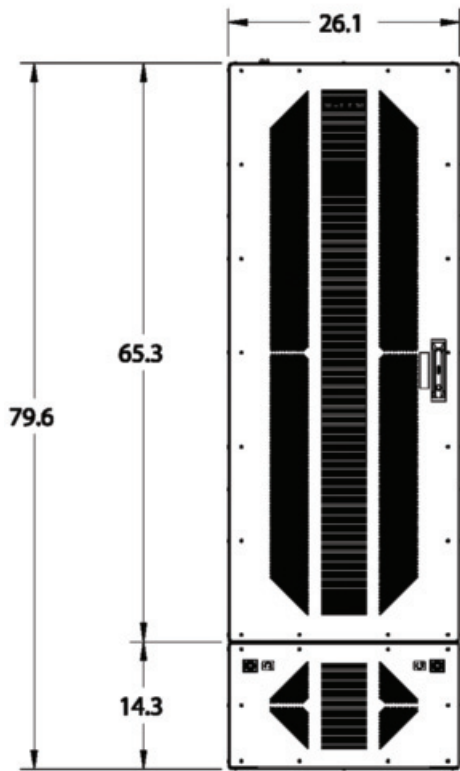
Charles Industries, Ltd.

Phone: (847) 806-6300
Fax: (847) 806-6231
Web: www.charlesindustries.com

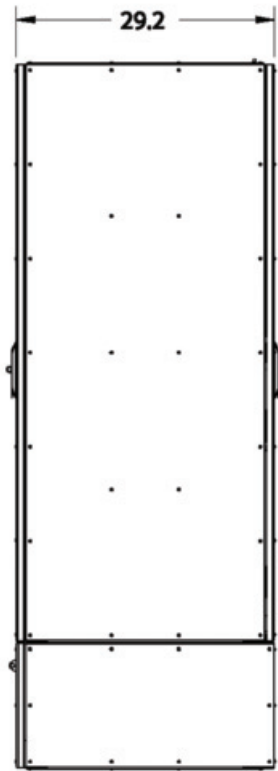


CUBE ID6 Series Indoor Solutions

CUBE-ID636 Series Dimensions (shown with add-on battery compartment)

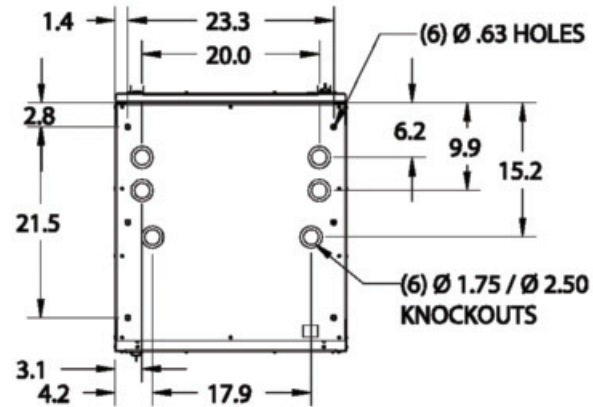


FRONT VIEW

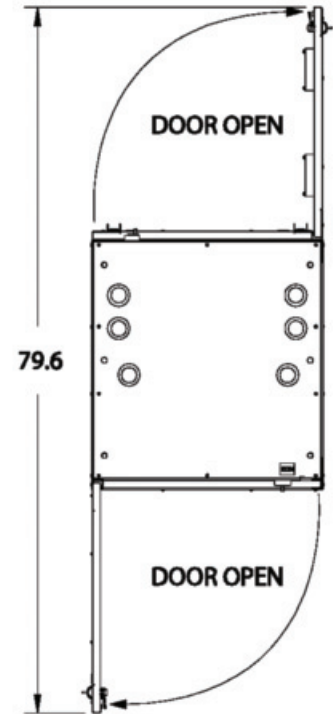


SIDE VIEW

All measurements given in inches.



TOP DOWN VIEW
(Doors Closed)



TOP DOWN VIEW
(Doors Open)

Note: 45RU and 18RU models vary in height dimension only. Width and depth dimensions, as well as knockout placements, remain as shown.

For additional product information, please visit www.charlesindustries.com



OG-OSP023-E18

INNOVATIVE ENCLOSED SOLUTIONS™

Charles Industries, Ltd.

Phone: (847) 806-6300
Fax: (847) 806-6231
Web: www.charlesindustries.com

