

Easily reenterable and environmentally protected strand-mount closure for cost-effective aerial fiber drops or splicing



Amphenol Charles Fiber Aerial Solutions (CFAS) provide simple, cost-effective closures for mid-span splice and/or fiber drop requirements. Efficient strand-mount designs provide user-friendly access and utilize standard and/or small Charles Hinged Splice Trays. The closure has the ability to accommodate loop-through, branch and butt splicing. CFAS are ideally suited for outside plant, cell sites, MTSO or other environments where providers require fiber bandwidth for aerial optical distribution.



CFAS

FEATURES

- Sturdy lightweight construction
- Separated splice and drop compartments
- Robust hardware to accommodate cable mounting and routing
- Utilizes standard and/or small Charles Hinged Splice Trays
- 2) dual port grommets for cable entrance/exit on both sides
- 216-tool lock points (one for front access panel, two for secondary compartment entry)
- 12 drop ports with plug-and-play adapters in Drop Closure configuration

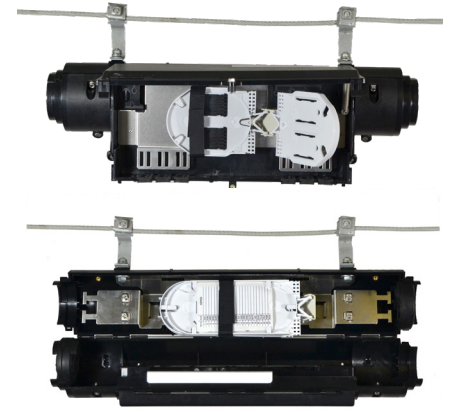
CFAS DROP CLOSURE

Capacity: 12 drop ports front access panel, 2 standard hinged splice trays secondary splicing compartment



CFAS SPLICE CLOSURE

Capacity: 2 small hinged splice trays front access panel, 2 standard hinged splice trays secondary splicing compartment



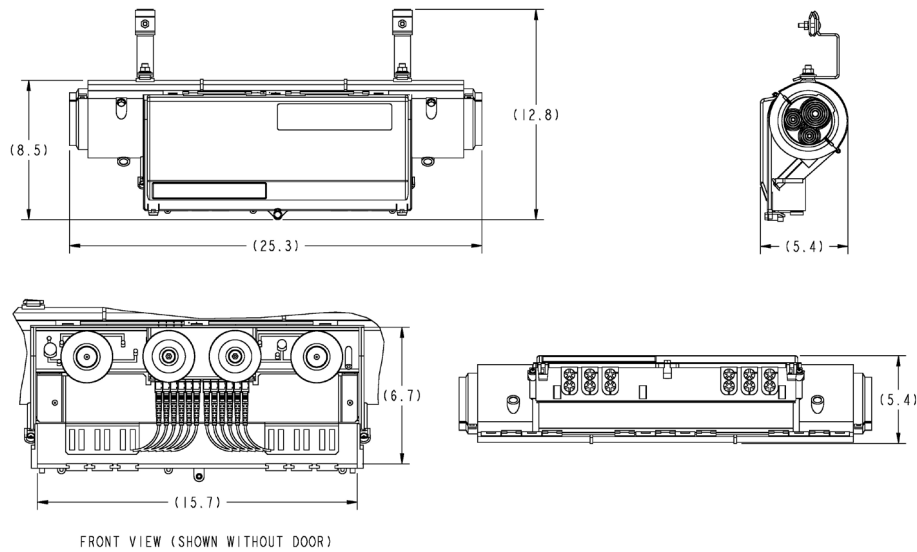
CFAS Product Specifications

Dimensions (H x W x D):	8.5" x 25.3" x 5.4" (216mm x 642mm x 137mm)
Ambient Temperature:	-40°F to 149°F (-40°C to 65°C)
Cable Size Accommodation:	3 ports per end: Port 1: 0.6"-2.2" (15-55mm) Ports 2 & 3: 0.2"-1.4" (5.0-35mm) Can be configured as in-line or butt
Drop Port Cable Accommodation:	12 ports, 0.118"-0.315" including flat drop (3-8mm)
Internal Adapters:	SC/APC standard in Drop configuration only. UPC and LC also available.
Mounting:	Aerial (1/4"-3/8" strand)

CFAS Dimensions

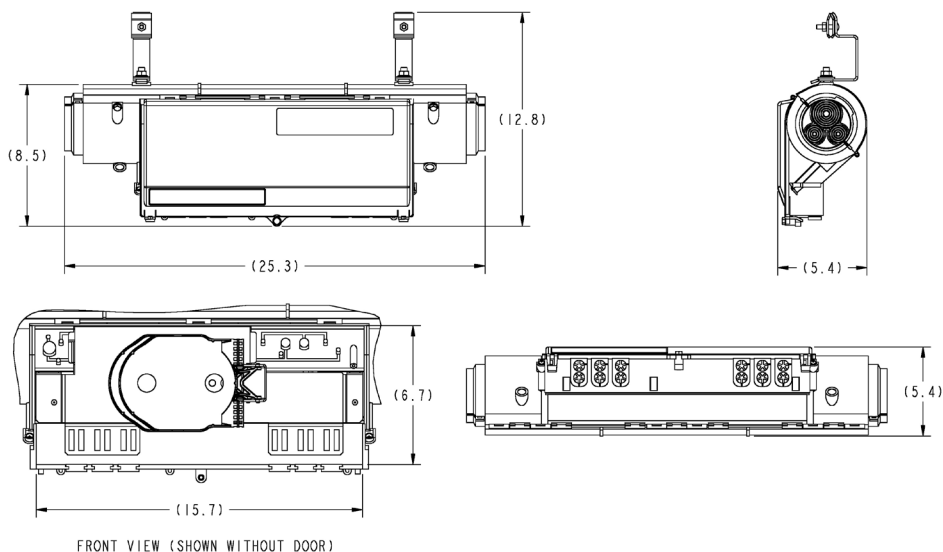
CFAS DROP CLOSURE DIMENSIONAL VIEWS

All dimensions are in inches



CFAS SPLICE CLOSURE DIMENSIONAL VIEWS

All dimensions are in inches



Ordering Specifications



Part Number	Description
CFAS-C12SA001	Fiber aerial splice closure drop configuration, 12 SC/APC adapters, two feed 4"x9" 24 fiber splice trays, includes aerial mounting brackets
CFAS-SPL01	Fiber aerial splice closure splice configuration, no adapter panel, one 4"x6" drop splice 24 fiber splice tray, includes aerial mounting brackets
CFAS-SPL22	Fiber aerial splice closure splice configuration, no adapter panel, two 4"x6" 24 fiber splice trays, two 4"x9" 24 fiber splice trays, includes aerial mounting brackets

Contact Charles Industries for ordering options and part numbers.




Looking for other BABA compliant products for BEAD funded projects? Please inquire with us for more information.

Charles Industries, LLC

An Amphenol Company

1450 American Lane, 20th Floor, Schaumburg, IL 60173

 mktserv@charlesindustries.com

 (847) 806-6300

