

# B05 & B06 Vertical Broadband Pedestals

## Versatile Buried Enclosures for Fiber or RF Access Equipment

Charles Industries' B05 & B06 Series Vertical Pedestals provide mounting facilities and security for fiber taps, larger fiber terminals, optical nodes, line extenders, mini-amplifiers and RF passive components used in today's Fiber-to-the-Home or coaxial based access networks. The pedestal is engineered with a self-supporting base for direct-bury installations without the need for a mounting stake. Internal mounting bracket options accommodate the installation of various access equipment.

The B-series pedestal has a rectangular shaped dome profile providing sufficient space for handling larger coaxial and fiber equipment, multiple interconnected components and cable slack storage. The B-series is offered in two pedestal heights (B05 has 24" dome, B06 has 30" dome), providing deployment flexibility to match the needs of the equipment and the esthetics of the deployed environment. The dome includes a self-latching lock feature to reduced chance of being left unlocked. These pedestals are molded from a polyethylene resin specifically designed for outside plant environments, resisting impact, ultraviolet and environmental degradation.



B06 - 30" Dome

B05 - 24" Dome

## Product Features

- Molded of polyethylene (PE) with ultraviolet U/V inhibitors to provide impact resistance, color stability and long-life
- Standard housing color is light green, other colors are special order
- Available with unvented and vented dome
- Self-latching, dome locking system reduces unlocked pedestals and unwanted access
- Hex-head locking bolt for use with standard 7/16" CAN or terminal wrench
- Stake-less, self-supporting in-ground base
- Molded-in ground line for consistent installations

## Internal Bracket Configurations

Equipment Mounting Stake  
(Option 000)



B05

B06

Offset Fiber Brackets with Strand Mount "C-" Bracket  
(Option 017)

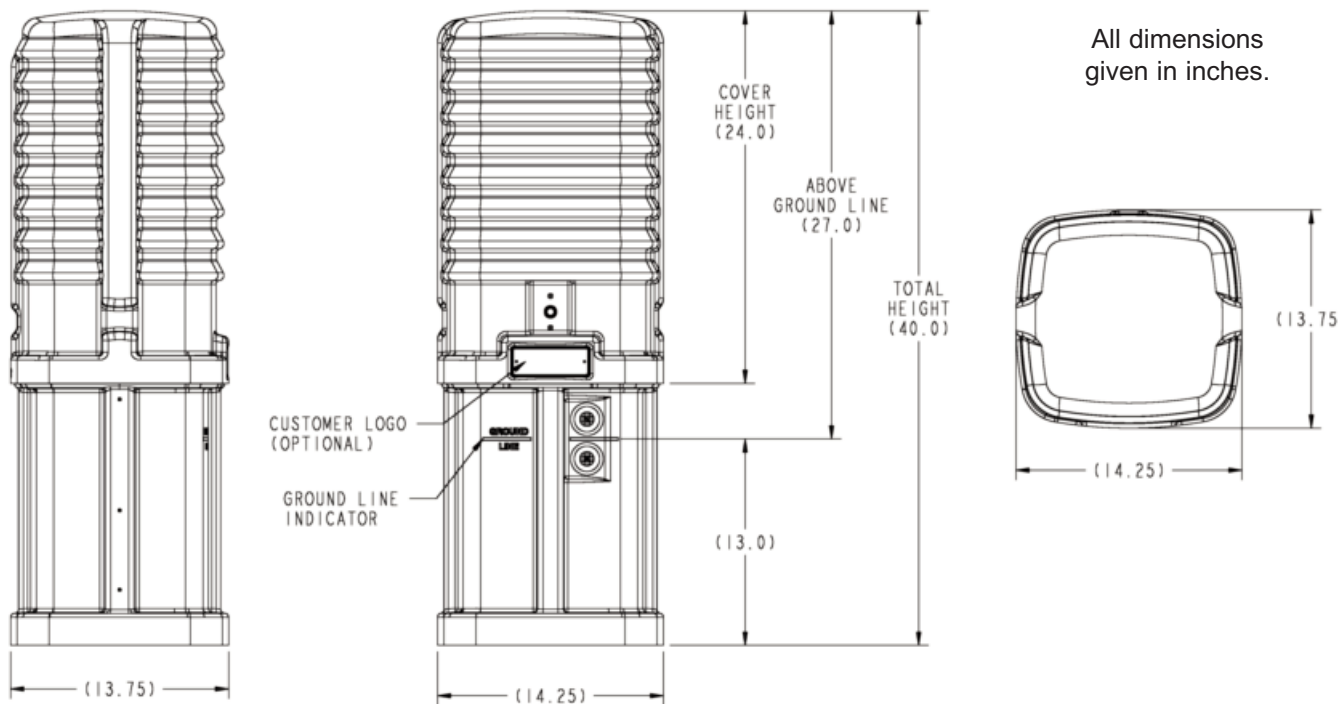


B05

B06

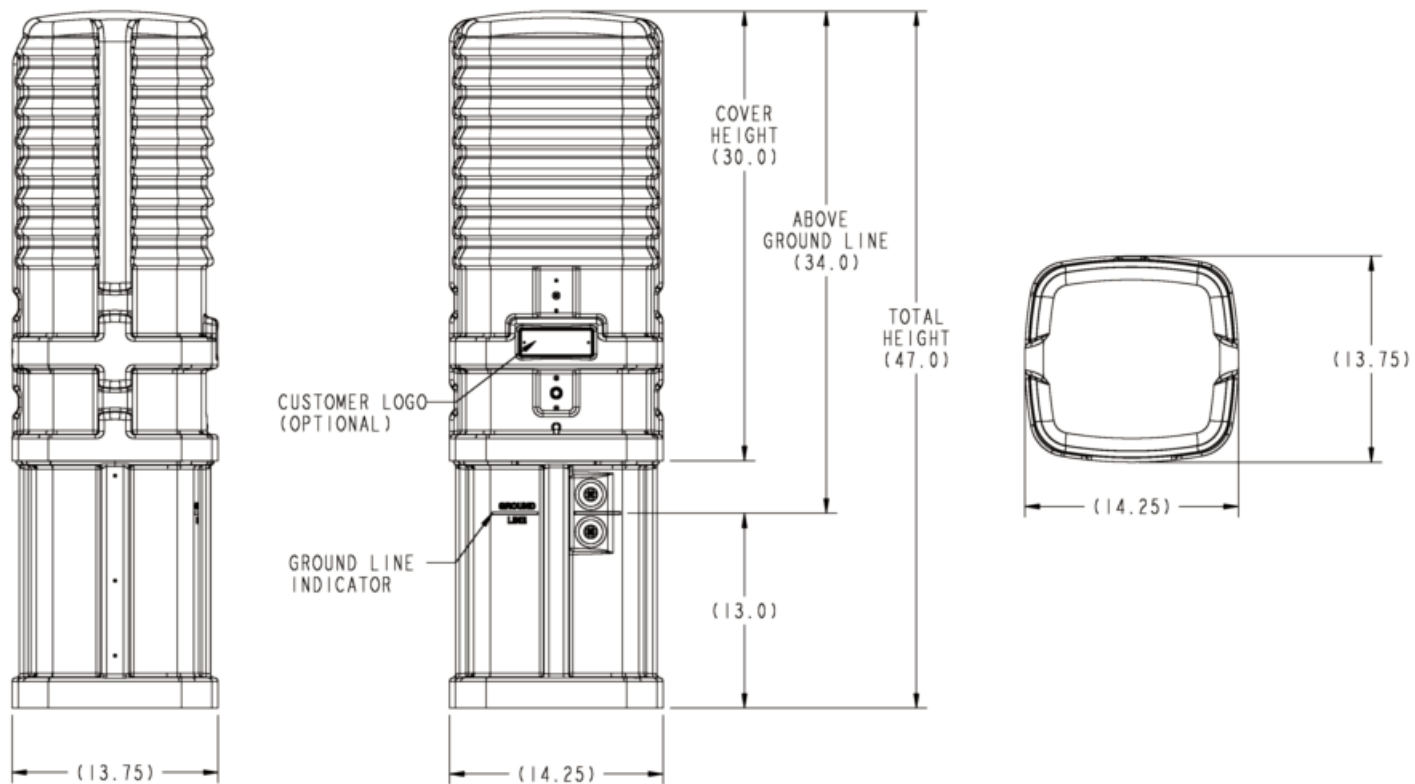
# Dimensions

## B05 Series Dimensions



All dimensions given in inches.

## B06 Series Dimensions



# Ordering Information

**Charles Part #      Description**

**B05 Series — 24”H dome**

B05SS07-20000BK	Hex-head lock, light green housing, equipment mounting bracket
B05SS07V20000BK	Vented dome, hex-head lock, light green housing, equipment mounting bracket
B05SS07-20017BK	Hex-head lock, light green housing, offset fiber brackets with Strand Mount “C-“ bracket
B05SS07V20017BK	Vented dome, hex-head lock, light green housing, offset fiber brackets with Strand Mount “C-“ bracket

**B06 Series — 30”H dome**

B06SS07-20000BK	Hex-head lock, light green housing, equipment mounting bracket
B06SS07V20000BK	Vented dome, hex-head lock, light green housing, equipment mounting bracket
B06SS07-20017BK	Hex-head lock, light green housing, offset fiber brackets with Strand Mount “C-“ bracket
B06SS07V20017BK	Vented dome, hex-head lock, light green housing, offset fiber brackets with Strand Mount “C-“ bracket



INNOVATIVE ENCLOSED SOLUTIONS™



## Dependable Solutions, Superior Support


- Field-proven and unequaled 24-hour technical support
- Individualized application consultation
- Superior quality (ISO 9001/TL 9000 registered)

Visit our website at <http://www.charlesindustries.com>

Charles Industries, LLC  
An Amphenol Company

Voice: (847) 806-6300  
Fax: (847) 806-6231  
E-mail: [mktserv@charlesindustries.com](mailto:mktserv@charlesindustries.com)



 is a registered trademark of Charles Industries, LLC

D-OSP202-L20