

SHRD1 Concealment Shrouds

Pole-Top Radio Shroud



SHRD1 (mid section) shown with Radome antenna shroud (top section) and SKRT1 radio shroud skirt (bottom section)



SHRD1 internal radio mounting bracket

SHRD1 Description

The SHRD1 is a protective shroud enclosure that supports and conceals Small Cell remote radio heads (RRH) and other radio equipment. Its weather-resistant design is suited to outdoor pole-mount applications.

The SHRD1 consists of a central mast with a cylindrical, vented shroud. The mast has mounting brackets for three Small Cell RRH units, a diplexer, and a top mounting plate for an Ace Technology ACOM-2F15D-12P canister style antenna. All radio equipment is customer supplied. The shroud panels are removable to allow access to the radio equipment.

The antenna is covered by a Radome antenna shroud (required, sold separately). An optional radio shroud skirt (SKRT1) is also available, providing concealment for cabling as it enters the bottom of the SHRD1.

SHRD1 Specifications

Dimensions:	38" height, 18" diameter
Weight (Empty):	70 lbs.
Weight (Max Load):	130 lbs.
Construction:	Shroud: .090" aluminum; Mast: galvanized steel
Bonding/Grounding:	One 2x8 position ground bar on mast base
Operating Temp:	-40° to +131°F, inside enclosure; -40° to +115°F, outside enclosure
Humidity:	0 to 95% (non-condensing)
Altitude:	Up to 2,000 meters (6560')

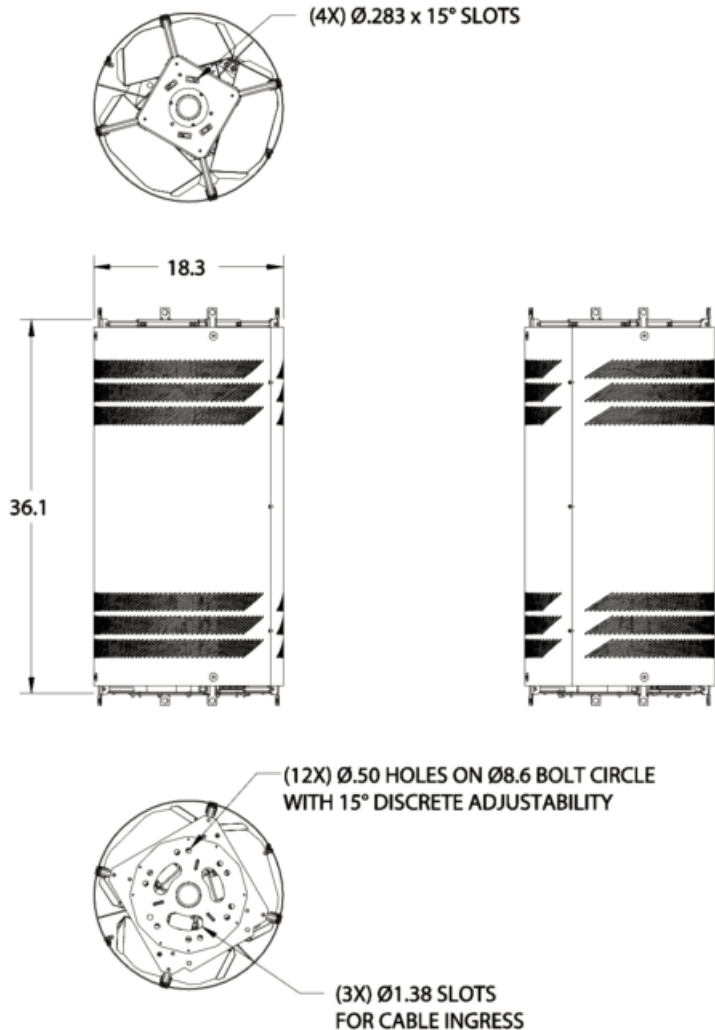
<u>Part #</u>	<u>Description</u>
SHRD1-3818AVCDX	SHRD1 pole-top radio shroud for up to (3) Nokia Airscale Micro or Ericsson 220x RRH, texture gray finish
SKRT1-1818ATXDX	Radio shroud skirt for SHRD1, 18" height x 18" dia., texture gray finish
RD2418D-A	Radome antenna shroud, 24" height x 18" dia., texture gray finish

Many different color finishes are available. Radio shroud skirts and Radome antenna shrouds are available in many different heights. Other pole mount and antenna mount options are available. Please call Charles Industries at 847-806-6300 for further details.

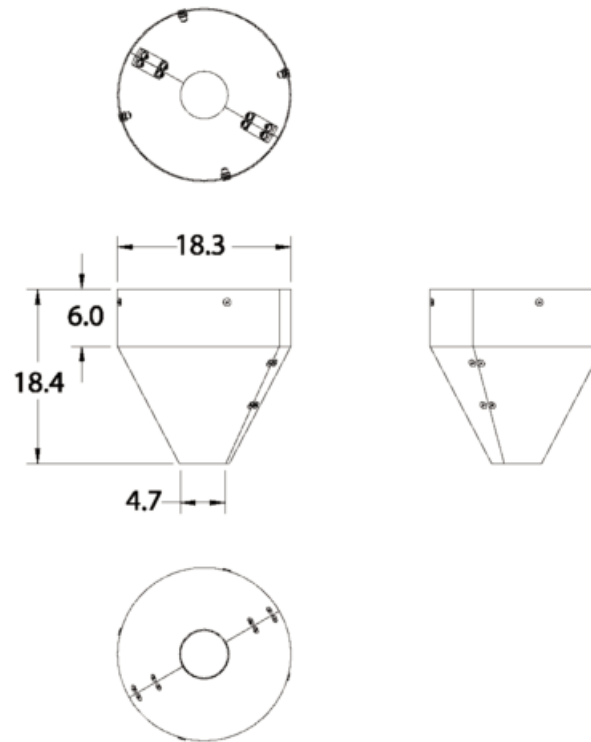
SHRD1 Concealment Shrouds

Pole-Top Radio Shroud

SHRD1 DIMENSIONS (in.)



SKRT1 DIMENSIONS (in.)



SKRT1 radio shroud skirts are available in many different heights, call for custom configurations.

RADOME ANTENNA SHROUD

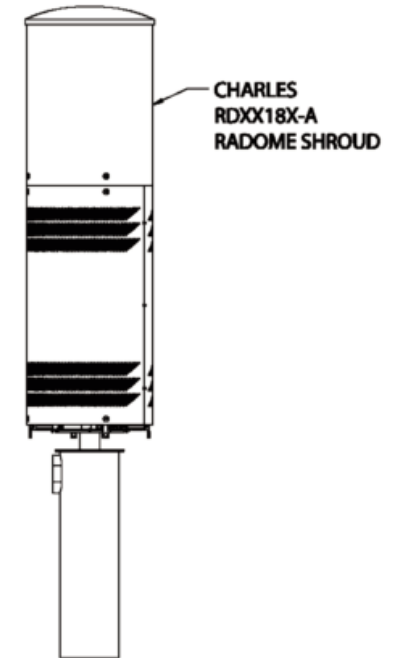


Illustration shows Radome Shroud mounted above SHRD60 for complete installation. Radome Shrouds are available in many different heights, call for custom configurations.

All dimensions given in inches.