

Charles Composite Mounting Pad (CPAD) for Electric Vehicle Charging Stations

Lightweight Buried Mounting Platform Provides an Economical, Easy-to-Install Alternative to Concrete Charger Pads.

Charles Industries has created an innovative Composite Mounting Pad (CPAD) that replaces poured-in place or pre-cast concrete pads designed for Electric Vehicle Charging Stations. The CPAD enables installers and end-users to more easily and rapidly deploy their charging stations by eliminating the time used on project work for poured-in-place concrete pads. Its engineered composite material construction is lightweight while providing the same high strength and high impact resistance of concrete. The reduction in weight eliminates the heavy equipment requirements and safety concerns of handling and transporting pre-cast concrete pads, reducing installation costs and man hours. Since it is light weight and easy to move, CPADs can be completely installed with small or even one person crews to facilitate social distancing.

CPAD provide a stable, rigid platform for mounting EVC stations. Besides facilitating easier and faster installation, the CPAD allows the open space on the bottom side of the pad to be used as additional workspace, helping route any needed power or data cables to the station and providing slack storage.

The advanced composite materials used to make the Charles Composite Pads meet the chemical resistance, flammability, brush-fire, UV exposure, impact resistance, and water absorption requirements of ANSI/SCTE-77. Multiple pad dimensions are available to meet specific equipment/site sizes and requirements.



The Many Benefits of CPAD EVC Mounting Pads:

- Enable rapid (one-day) deployment, no heavy machinery needed
- Reduce injury risk and improves safety (no respirable silica)
- Limited installation crew promotes social distancing
- Support up to 8,000 lbs.
- Withstand 150+ mph winds
- Ideal for softscape installations of L2 or DC fast chargers



EVC are bolted to CPAD, with workspace below pad



Ideal for greenfield (buried earth) installations



Multiple stations can easily be installed in one day

For additional product information, please visit www.charlesindustries.com

OG-OSP040-G20

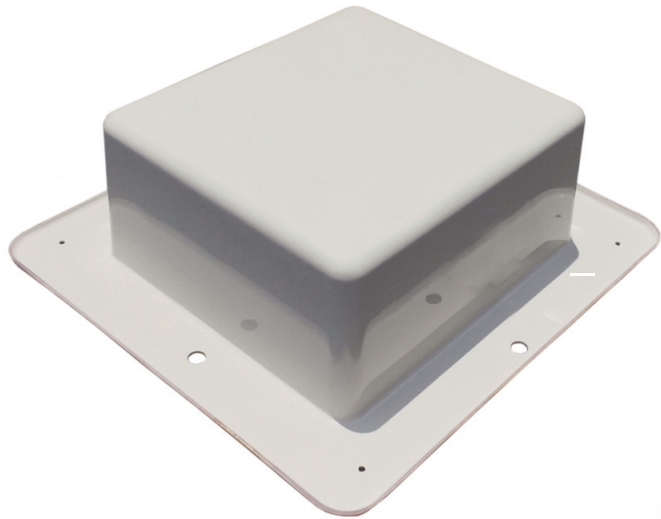
INNOVATIVE ENCLOSED SOLUTIONS™

Charles Industries, LLC
An Amphenol Company

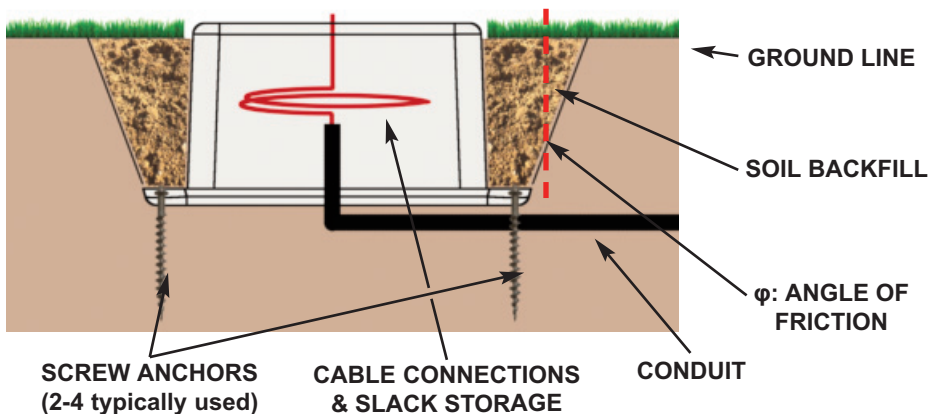
Phone: (847) 806-6300
Fax: (847) 806-6231
Web: www.charlesindustries.com

Charles

Charles Composite Mounting Pad (CPAD) for EVC Stations



TYPICAL INSTALLATION



- 1) Place EVC on center of CPAD. Mark and drill holes for mounting bolts and cable ingress/egress.
- 2) Dig and level a hole in the ground.
- 3) Place CPAD in the hole, running cable connections through the drilled holes on top of CPAD. Attach anchor stakes or screws if required.
- 4) Backfill with earth to ground line.
- 5) Place and secure equipment on CPAD.

Please read CPAD Installation Practice for full installation procedures.

STANDARD CPAD CONFIGURATIONS

Part Number	Platform Dimensions L x W (in.)	Base Dimensions L x W x D (in.)	Weight (lbs.)
CPAD-S0BUNI2014	20" x 14"	29" x 24" x 14"	25
CPAD-S1BUNI2629	26" x 29"	42" x 45" x 15"	42
CPAD-S15BUN3424	34" x 24"	50" x 40" x 15"	61
CPAD-SB2UNI4924	49" x 24"	65" x 40" x 15"	79
CPAD-M1BUNI4036	40" x 36"	60" x 52" x 18"	72

RECOMMENDED CPAD FOR SELECT EV CHARGER MODELS

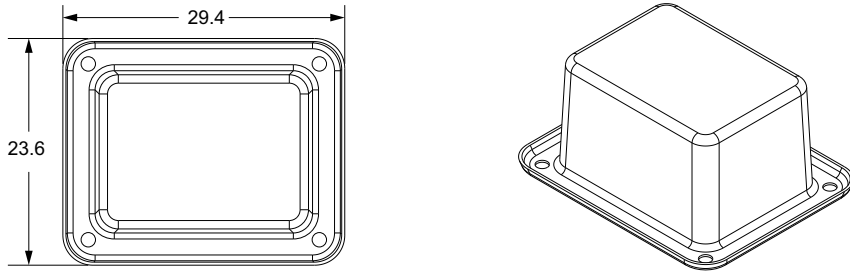
EV Charger Model	CPAD Model
Chargepoint CT4021	CPAD-S1BUNI2629
Clipper Creek HCS Pedestals	CPAD-S1BUNI2629
Tritium Veefil	CPAD-S15BUN3424
ABB 54	CPAD-M1BUNI4036
BTC Power Slimline	CPAD-M1BUNI4036



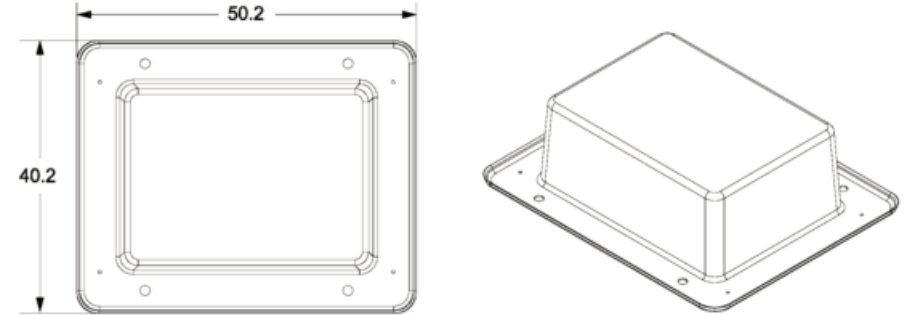
Charles Composite Mounting Pad (CPAD) for EVC Stations

EXAMPLE CPAD EVC MOUNTING PADS

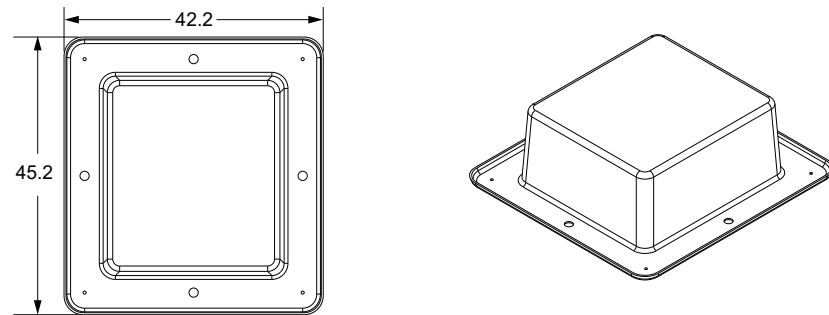
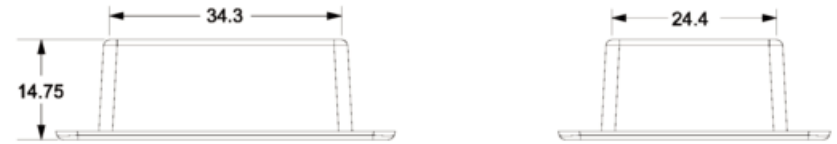
Pad size, configuration, and cutouts can be customized for optimal mounting of specific EVC units. Please contact Charles with specific requirements.



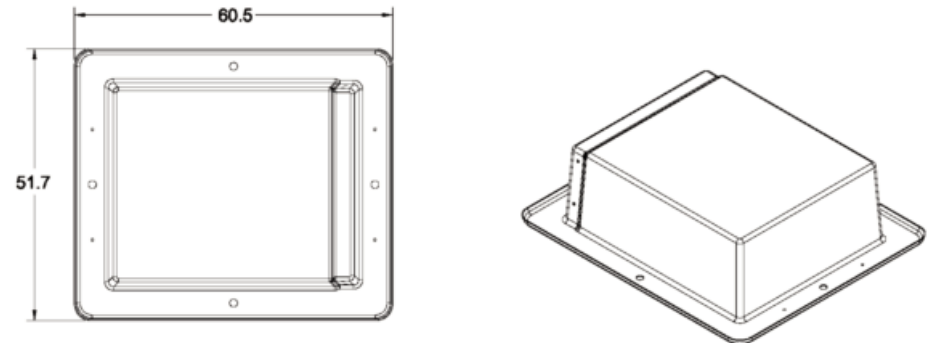
CPAD-S0BUNI2014



CPAD-S15BUN3424



CPAD-S1BUNI2629



CPAD-M1BUN4036



OG-OSP040-G20