

Charles Universal Composite Pad (CPAD)

Lightweight Buried Mounting Pad for Ground Mount Cabinets & Generators



Charles Industries, has created an innovative Composite Pad (CPAD) that replaces poured-in-place or pre-cast concrete pads. The CPAD enables carriers to more rapidly deploy their network by eliminating days of project work for poured-in-place concrete pads, and the heavy equipment requirements and safety concerns of handling and transporting pre-cast concrete pads. At a fraction of the weight of concrete, CPAD provides a rigid platform for mounting enclosures that house equipment and batteries. In addition to facilitating easier and faster installation, the CPAD provides the ability to utilize the open space on the bottom side of the pad as additional workspace, helping route RF cables and providing economical fiber slack storage.

The Universal CPAD is designed to support cabinets and generators from a variety of manufacturers. Charles offers several different pad sizes to best fit the specific cabinet or generator being deployed. The Universal CPAD allows the cabinet or generator to be placed on the pad without pre-drilling mounting holes. Simply use the cabinet or generator mounting holes as a template. Holes can be drilled through cabinet or generator mounting and anchors are then installed from the top, making installation quick and easy!

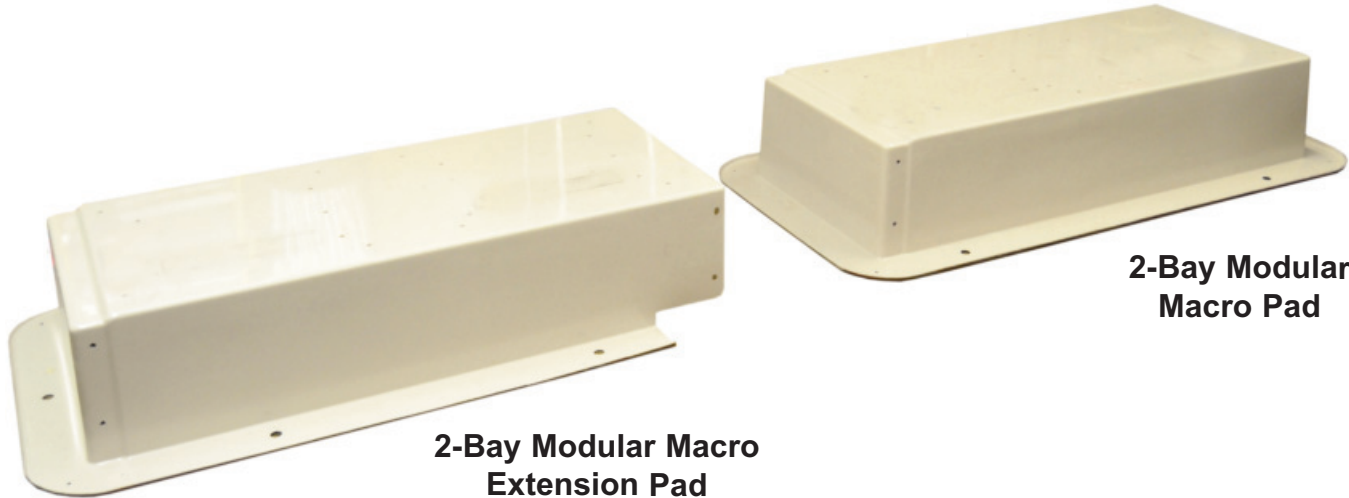
CPAD Macro Site modular mounting pads include a 2-bay macro pad and 1-bay and 2-bay extension pads to allow for user-determined pad combinations optimally sized for each installation. Recommended screw anchor kits are available for sandy soil conditions or for installations on incline grades. CPAD are also available for diesel generators from Generac, Polar, Kohler and MTU; allowing placement of all Macro Site components on CPAD platforms and completely eliminating the need to pour concrete at Macro Sites.

The advanced composite materials used to make the CPAD meet the chemical resistance, flammability, brush-fire, UV exposure, impact resistance, and water absorption requirements of ANSI/SCTE-77. In product testing, the CPAD surpassed a GR-487 Over-Turn Moment Test which simulated 150 MPH wind force. Optional stakes and screw anchor kits are provided for sandy soil conditions or for installations on incline grades.

CPAD Part Number	Mold	Outside Dimensions	Platform Dimensions	Weight	Ingress / Egress	Included Toggles	Anchor Kits	Supported Cab/Gen
CPAD-S0BUNI2014	1/2 Bay	25" D x 23" D x 14" H	20" W x 14" D	25 lbs.	Universal	5	1	Universal
CPAD-S1BUNI2629	1 Bay	42" W x 45" D x 15" H	26" W x 29" D	42 lbs.	Universal	5	1	Universal
CPAD-S15BUN3424	1.5 Bay	50" W x 40" D x 15" H	34" W x 24" D	61 lbs.	Universal	5	1	Universal
CPAD-S2BUNI4924	2 Bay	65" W x 40" D x 15" H	49" W x 24" D	79 lbs.	Universal	8	2	Universal
CPAD-S3BUNI7324	3 Bay	89" W x 40" D x 15" H	73" W x 24" D	105 lbs.	Universal	12	2	Universal
CPAD-M1BUNI4036	1 Bay	52" W x 52" D x 18" H	40" W x 36" D	72 lbs.	Universal	0	1	Universal
CPAD-M2BUNI7836	2 Bay	89" W x 52" D x 18" H	78" W x 36" D	144 lbs.	Universal	0	2	Universal
CPAD-M1EUNI4036	1 Bay	52" W x 52" D x 18" H	40" W x 36" D	72 lbs.	Universal	0	1	Universal
CPAD-M2EUNI7836	2 Bay	89" W x 52" D x 18" H	78" W x 36" D	144 lbs.	Universal	0	2	Universal
CPAD-SCRWANCRKT	Screw Anchor Kit, Qty. 4 Screws, 18" Legth (use only with larger CPAD-M)							
97-SCRWANCH26	Screw Anchor Kit, Qty. 4 Screws, 26" Length							
CPAD-STDSTAKEKT	Stake Kit, Qty. 4 Stakes (use only with smaller CPAD-S)							
97-TOGGLE5-A	5 Piece Toggle Kit							
97-TOGGLE10-A	10 Piece Toggle Kit							
97-TOGGLE15-A	15 Piece Toggle Kit							
97-TOGGLE25-A	25 Piece Toggle Kit							
97-UNICPADZONE4	12 Piece Mounting Anchor Kit Used only for Seismic Zone 4 Installations							

Charles Universal Composite Pad (CPAD)

Lightweight Buried Mounting Pad for Ground Mount Cabinets & Generators



**2-Bay Modular
Macro Pad**

**2-Bay Modular Macro
Extension Pad**



**Conjoined Pad and
Extension Pad**

CPAD-STDSTAKEKT



CPAD-SCRWANCRKT
(18" Length)
97-SCRWANCH26
(26" Length)



**MADE IN THE
USA**

For additional product information, please visit www.charlesindustries.com

OG-OSP056-F19 Page 2 of 5

INNOVATIVE ENCLOSED SOLUTIONS™

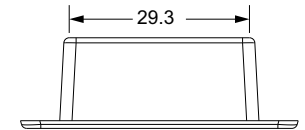
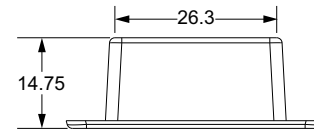
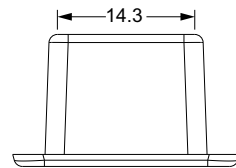
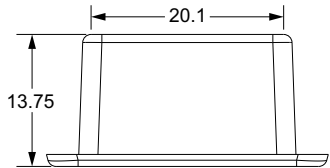
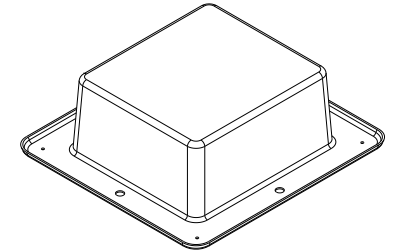
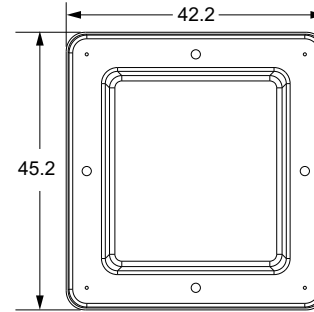
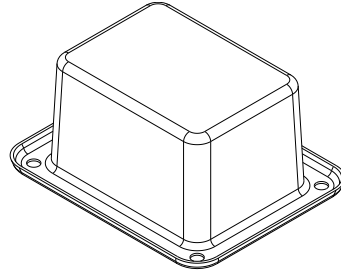
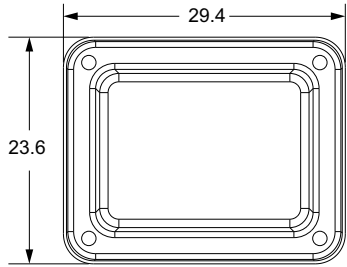
Charles Industries, Ltd.

Phone: (847) 806-6300
Fax: (847) 806-6231
Web: www.charlesindustries.com

Charles

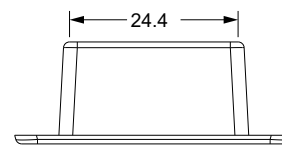
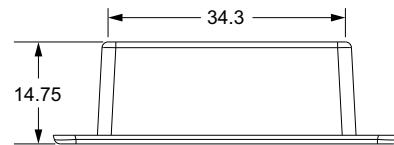
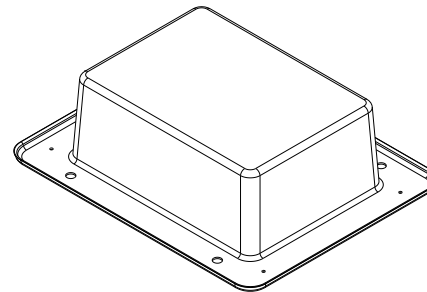
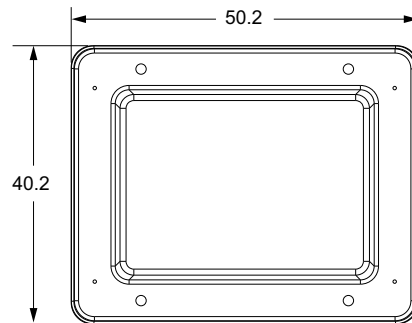
Charles Universal Composite Pad (CPAD)

Lightweight Buried Mounting Pad for Ground Mount Cabinets & Generators



CPAD-S0BUNI2014 Dimensions (in.)

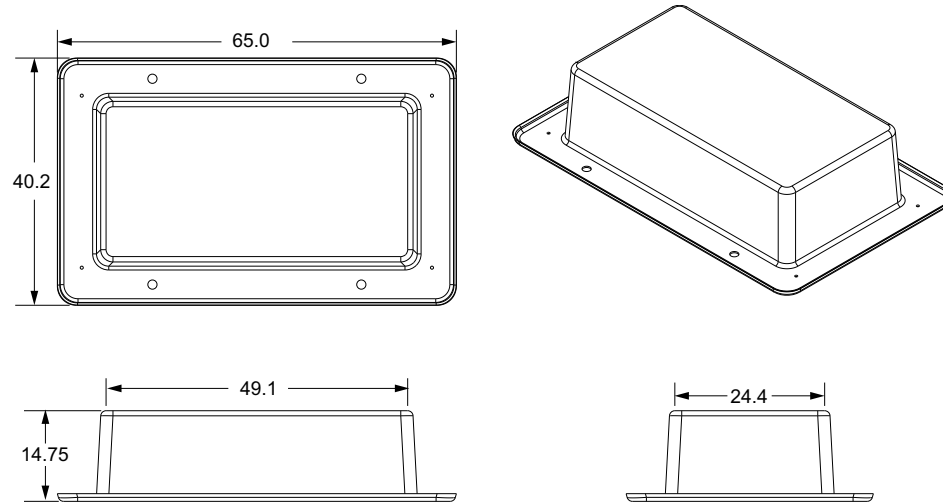
CPAD-S1BUNI2629 Dimensions (in.)



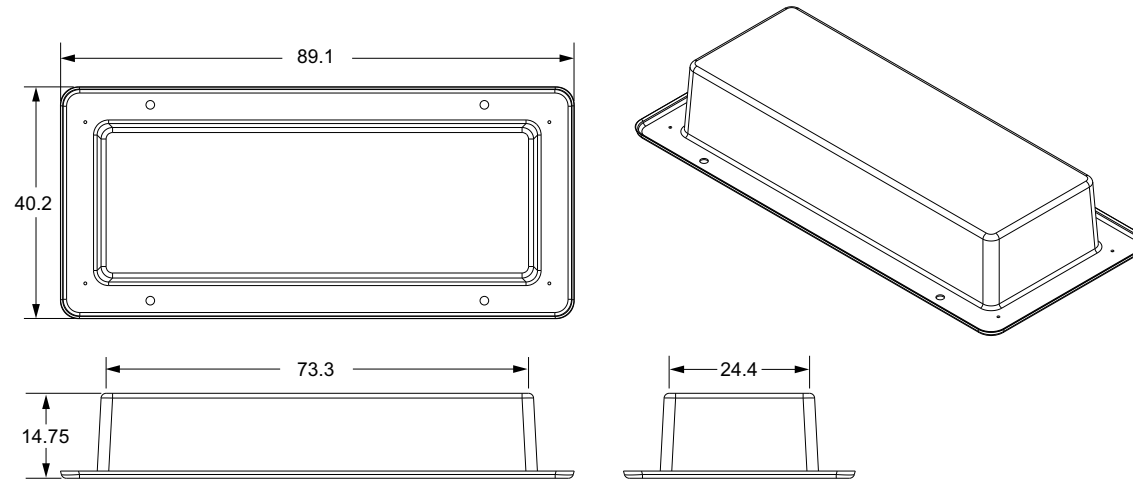
CPAD-S15BUN3424 Dimensions (in.)

Charles Universal Composite Pad (CPAD)

Lightweight Buried Mounting Pad for Ground Mount Cabinets & Generators



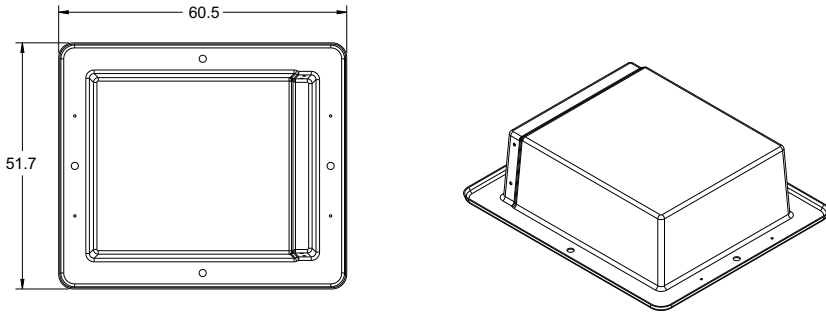
CPAD-S2BUNI4924 Dimensions (in.)



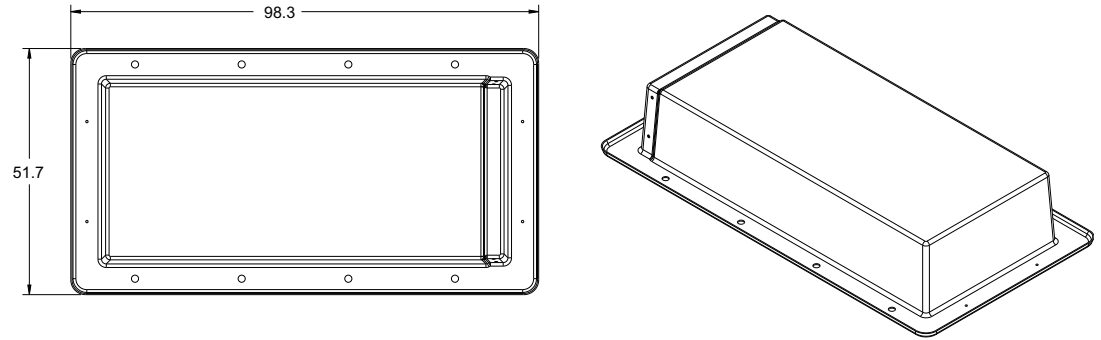
CPAD-S3BUNI7324 Dimensions (in.)

Charles Universal Composite Pad (CPAD)

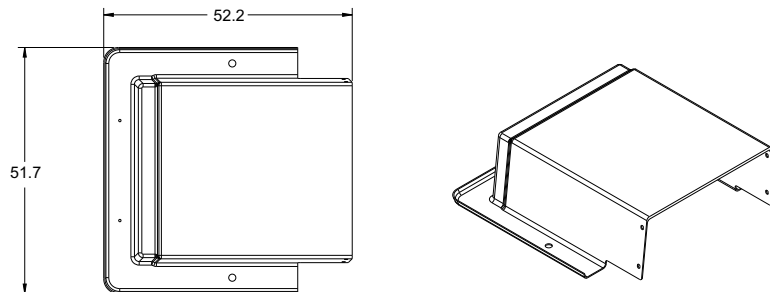
Lightweight Buried Mounting Pad for Ground Mount Cabinets & Generators



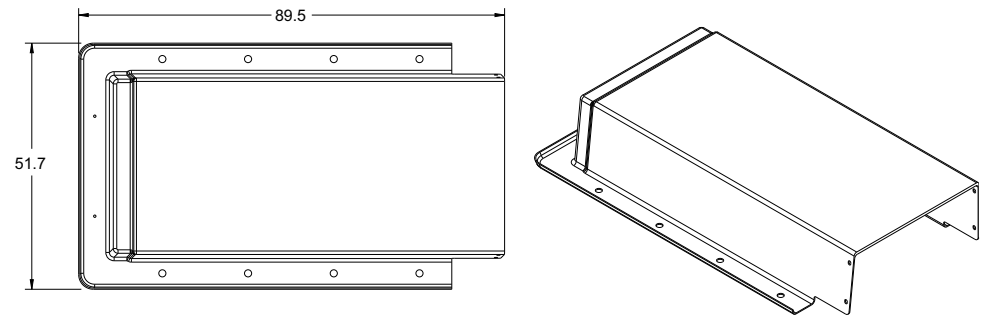
CPAD-M1BUNI4036 Dimensions (in.)



CPAD-M2BUNI7836 Dimensions (in.)



CPAD-M1EUNI4036 Dimensions (in.)



CPAD-M2EUNI7836 Dimensions (in.) OG-OSP056-F19 Page 5 of 5