

# Charles Composite Pad (CPAD) Small Cell

## Lightweight Buried Mounting Pad for CUBE™ High-Power Small Cell Cabinets



Charles Industries, through its development of Tier Rated Underground Enclosures (TRUE™), has created an innovative Composite Pad (CPAD) that replaces poured-in-place or pre-cast concrete pads. The CPAD enables carriers to more rapidly deploy their network by eliminating days of project work for poured-in-place concrete pads, and the heavy equipment requirements and safety concerns of handling and transporting pre-cast concrete pads. At a fraction of the weight of concrete, CPAD provides a rigid platform for mounting enclosures that house equipment and batteries. In addition to facilitating easier and faster installation, the CPAD provides the ability to utilize the open space on the bottom side of the pad as additional workspace, helping route RF cables and providing economical fiber slack storage.

The advanced composite materials used to make the Charles Composite Pads meet the chemical resistance, flammability, brush-fire, UV exposure, impact resistance, and water absorption requirements of ANSI/SC77. In addition, CPAD have been installed with single bay and three bay systems to quickly and easily mount Charles' CUBE™ High-Power Small Cell Series cabinets. In product testing, the CPAD surpassed a GR-487 Over-Turn Moment Test which simulated 150 MPH wind force.

Optional stakes and screw anchor kits are provided for sandy soil conditions or for installations on incline grades.



**3-Bay CPAD installation with CUBE High-Power Small Cell Cabinet**

### Charles Part #

CPAD-S1EXXXXXXX

CPAD-S1EXXXXXXA

CPAD-S1EXCSH56

CPAD-S2EXXXXXXX

CPAD-S3EXXXXXXX

CPAD-STDSTAKEKT

CPAD-SCRWANCRT

### Description

Composite Pad, 1-Bay Small Cell, 42"W x 45"D x 14"H Overall Dim., 28"W x 31"D Platform Dim., 42 lbs.

Composite Pad, 1-Bay Small Cell with Rear Shroud, 42"W x 45"D x 15"H Overall Dim., 28"W x 31"D Platform Dim., 42 lbs.

Composite Pad, 1.5-Bay Small Cell, 50"W x 40"D x 15"H Overall Dim., 36"W x 26"D Platform Dim., 61 lbs.

Composite Pad, 2-Bay Small Cell, 65"W x 40"D x 15"H Overall Dim., 51"W x 26"D Platform Dim., 79 lbs.

Composite Pad, 3-Bay Small Cell, 89"W x 40"D x 15"D Overall Dim., 75"W x 26"D Platform Dim., 105 lbs.

Standard Mounting Stake Kit for Composite Pad, includes four 17" Stakes

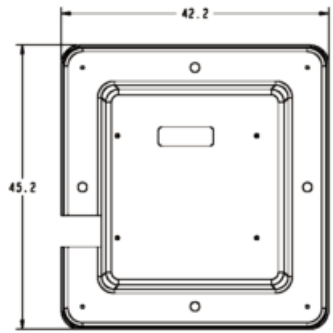
Screw Anchor Kit for Composite Pad, includes four 18" Screw Anchors

For additional product information, please visit [www.charlesindustries.com](http://www.charlesindustries.com)

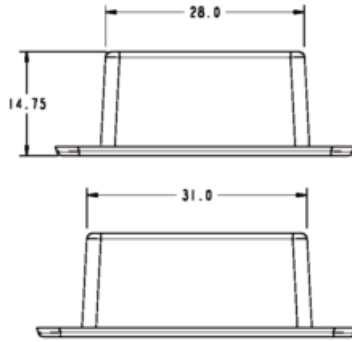
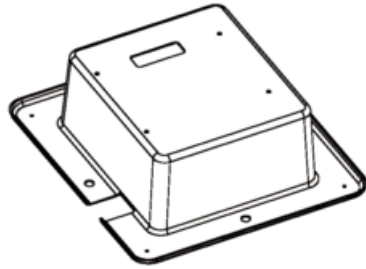
OG-OSP055-A17

# Charles Composite Pad (CPAD) Small Cell

*Lightweight Buried Mounting Pad for CUBE™ High-Power Small Cell Cabinets*

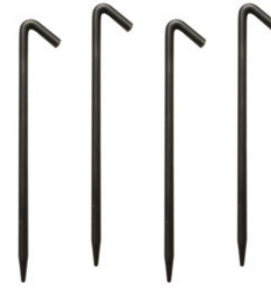


CPAD-S1EXXXXXXX

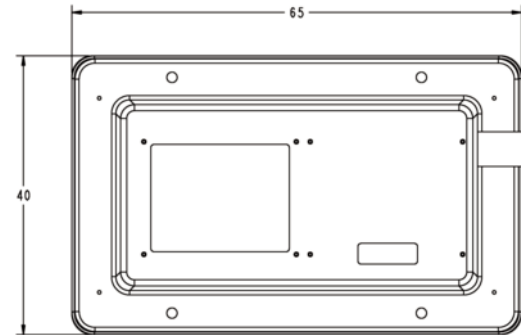


MADE IN THE  
USA

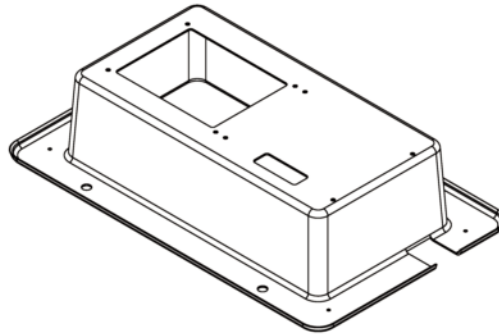
CPAD-STDSTAKEKT



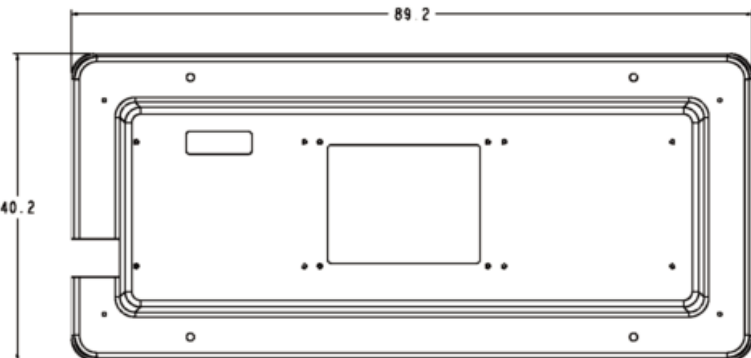
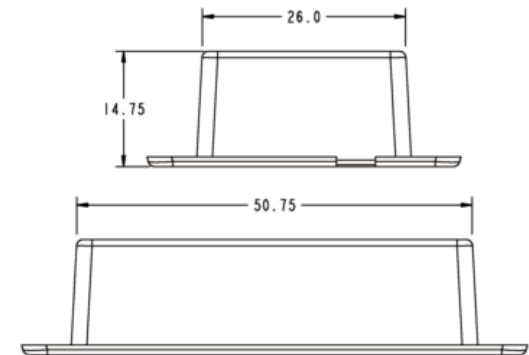
CPAD-SCRWANCRT



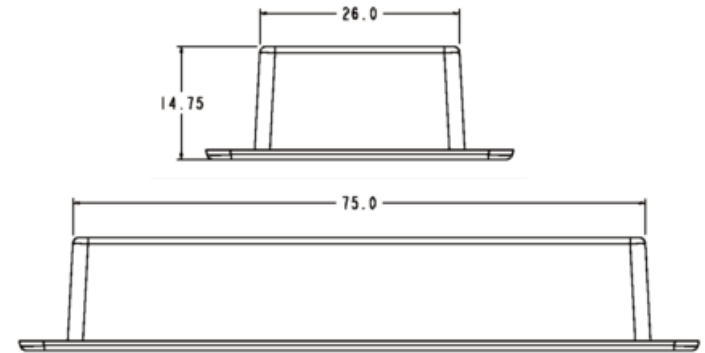
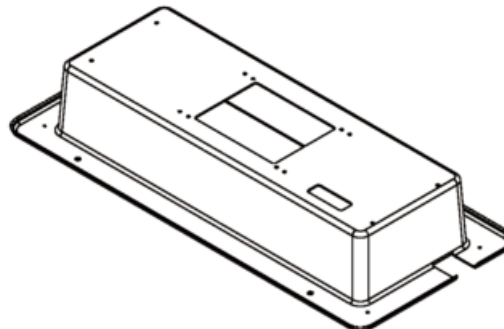
CPAD-S2EXXXXXXX



All measurements given in inches.



CPAD-S3EXXXXXXX



**INNOVATIVE ENCLOSED SOLUTIONS™**

Charles Industries, Ltd.

Phone: (847) 806-6300  
Fax: (847) 806-6231  
Web: [www.charlesindustries.com](http://www.charlesindustries.com)

**Charles**