

CMEE Pole Mounted Compute Node Enclosures *CUBE-SC102 Series*



Pole Mountable Compute Node

The SC102 enclosures are low profile pole mountable sealed enclosures to house and protect multi-access edge computing equipment which enables ultra-low latency, high bandwidth, real time accessible applications. These enclosures are self-contained, secure low profile units that come integrated with power and cooling. They are GR-487 compliant to protect compute equipment in a -40°C to +46°C ambient environment. This solution is ideally suited for outdoor telecom use cases and well positioned to be deployed globally enabling carriers and communities to provide a wide range of new advanced services, including autonomous vehicles/pods, virtual and augmented reality, and vision analytics.

Features and Benefits

GR-487 and NEMA 4X ratings: Assures equipment protection in all outdoor environments and conditions including wind, rain, fire, and seismic events

Advanced thermal design: Solar shields and advanced venting, along with heat exchangers or air conditioners, protect equipment against the environment

Monitoring solutions: Charles monitoring solution provides status and alarms of temperature, humidity, pressure, and door intrusion

Quick and easy deployment: Shipped to site all together, ready to deploy and quickly installed

Customized options available: Charles can provide specific configurations and footprints that more exactly meet customer needs. Attached battery compartment available.

Equipment integration: Equipment integration can be done by Charles or third parties and shipped to site intact



CMEE Pole Mounted Compute Node Enclosures

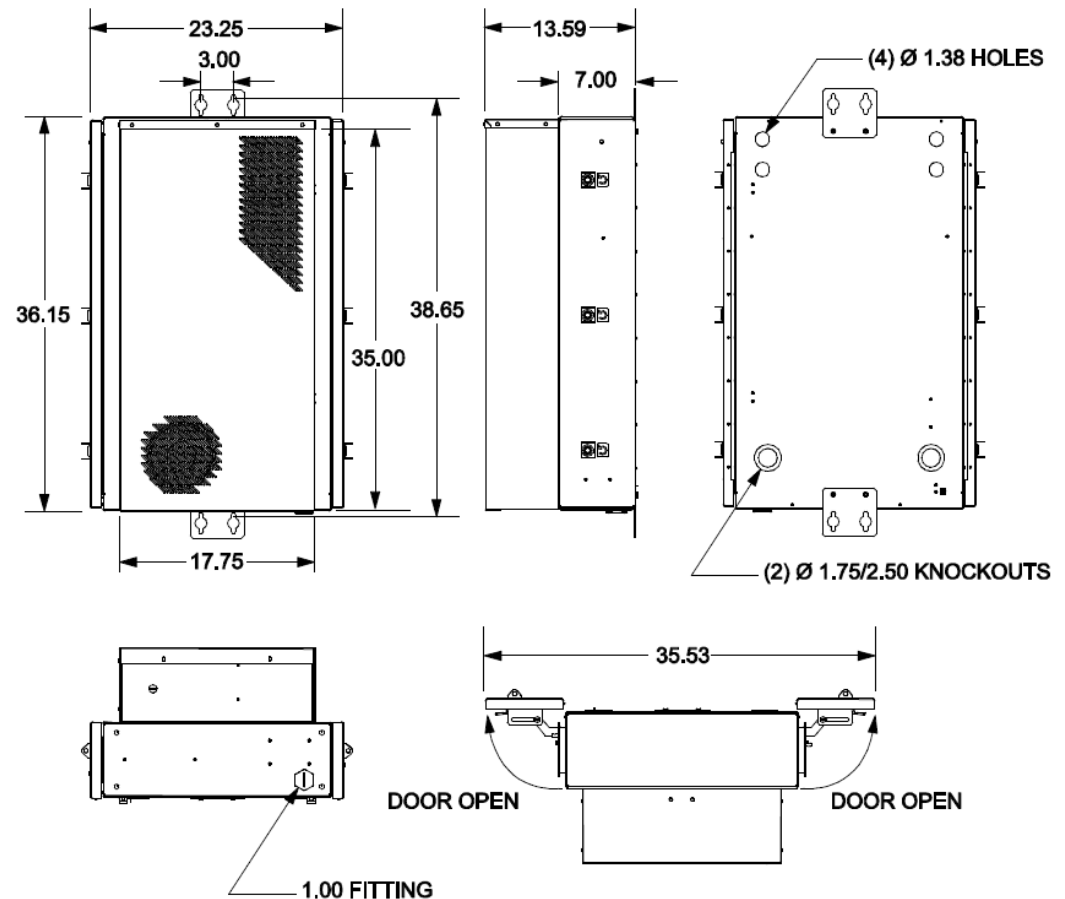
CUBE-SC102 Series

Charles Part Number	Standard Mounting	Color	Overall Dimensions	Equip. RU	Thermal	Alarms	Power	Weight lbs.	Weight w/battery
CUBE-SC1021NMN1	Pole Mount	Off-White	36"H x 24"W x 14"D	2	1880W, 48V DC HX 250W AC heater	Door, high temp.	AC box	120	N/A

Customer specific/application specific layouts are available. Also can integrate customer equipment or IT gear from a Charles partner.

General Specifications

- GR-487, NEMA 4 compliant
- 36"H x 24"W x 14"D
- 0.125 inch Al welded construction
- Off-white color
- -40°C to + 46°C ambient
- -5°C to + 55°C internal operating temp.
- 1880W heat exchanger
- 250W heater
- -40°C to +46°C Cooling
- 3 point latching with pad-lockable door
- Door and temperature alarms
- Pole or wall mountable



For more information, please call (847) 806-6300 or visit www.charlesindustries.com

R2 022019
© 2019 Charles Industries, Ltd.