

CFIT HSL Fiber Distribution Enclosure

Compact wall mount enclosure for up to 96 subscribers



CFIT HSL

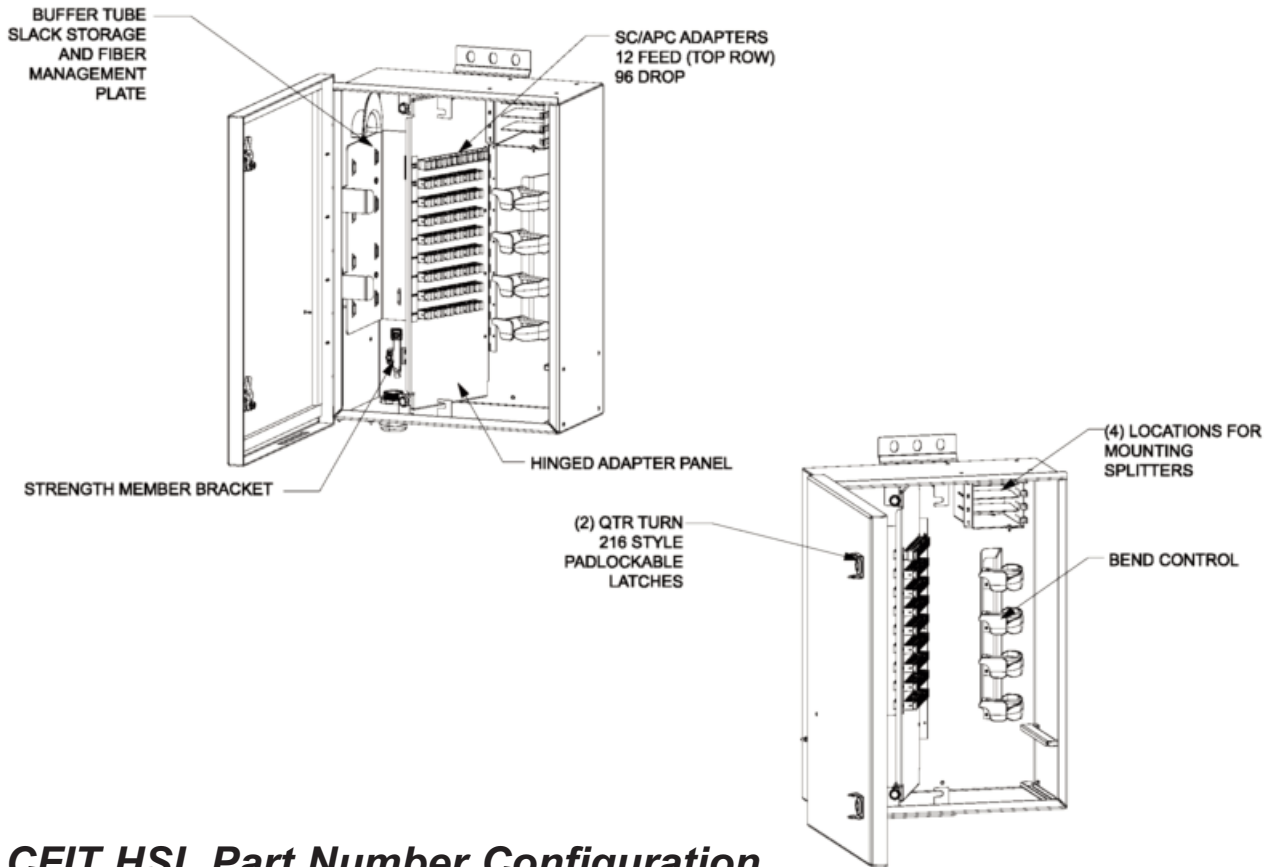
Charles' CFIT HSL fiber distribution enclosure is a compact, wallmount terminal with 108 SC/APC adapter ports (12 for feed, 96 for subscribers). The enclosure ships with a cable stub and factory terminated connectors into the feed and subscriber bulkhead adapters. Four fiber splitter locations house customer-supplied fiber splitters, with bend controls provided to neatly store splitter pigtails. A hinged bulkhead adapter panel allows technicians easy working access to both feed and subscriber ports

CFIT are constructed out of powder-coated aluminum and offer superior environmental protection in all outdoor applications. Their light weight allows for one-person installation on walls. Subscribers can be added incrementally for grow-as-you-go scalability, with intelligently designed fiber cable management ensuring existing subscribers are undisturbed as new subscribers are added.

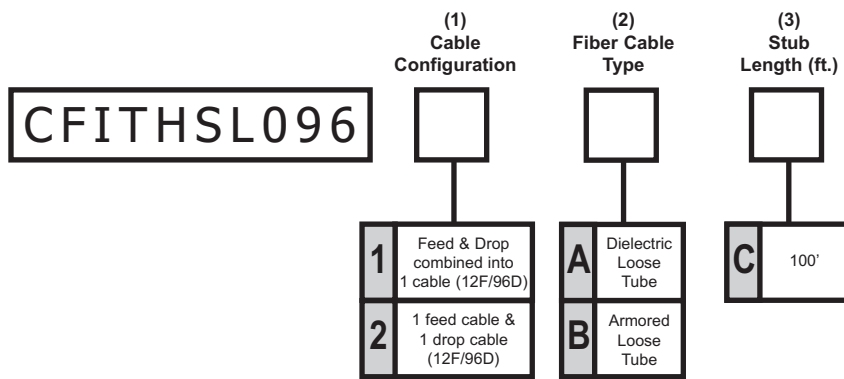
Product Specifications

Dimensions:	22"H x 16"W x 9"D
Weight:	19 lbs. (enclosure only)
Construction:	Aluminum
Splitter Module Capacity:	4
Bulkhead Capacity:	12 Feed / 96 Drop
Adapter Type:	SC/APC
Security Features:	2 Quarter-Turn 216 Style Padlockable Latches
Mounting:	Wall, top and bottom mounting brackets provided

CFIT HSL Features



CFIT HSL Part Number Configuration



Accessories

Charles Part #
CFSM-FM1132AA

Description
Charles Fiber Splitter Module, 1x32, Connectorized SC/APC 2mm Yellow Jacketed Output Pigtailed, 2mm Blue Jacketed Input Pigtail

Dependable Solutions, Superior Support

- Field-proven and unequalled 24-hour technical support
- Individualized application consultation
- Superior quality (ISO 9001/TL 9000 registered)

Visit our website at <http://www.charlesindustries.com>

Charles Industries, LLC
An Amphenol Company

Voice: (847) 806-6300
Fax: (847) 806-6231
E-mail: mktsserv@charlesindustries.com



D-OSP205-B21



INNOVATIVE ENCLOSED SOLUTIONS™



is a registered trademark of Charles Industries, LLC