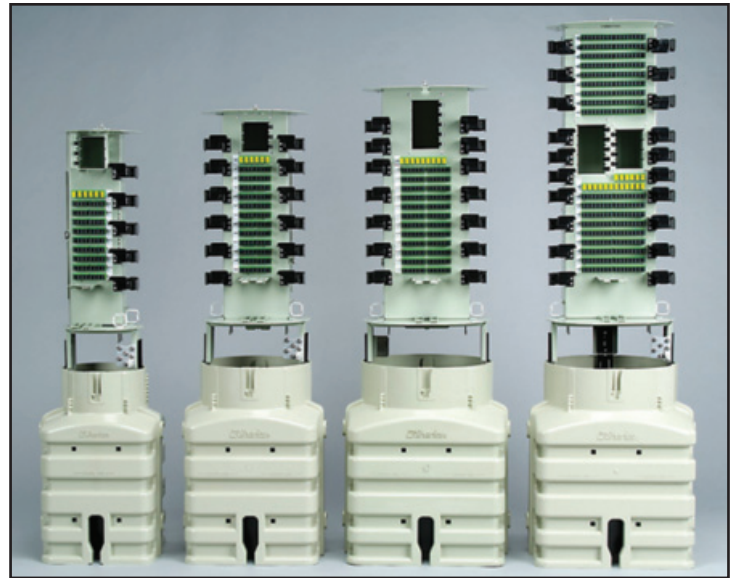


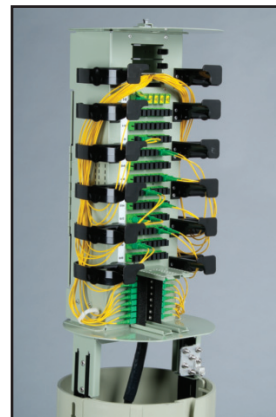
# Charles Fiber Flexibility Pedestals (CFFP)

CFFP offer a scalable, low cost alternative to placing traditional cabinet-type centralized split points (also known as fiber distribution hubs—FDH) in the outside plant. Unlike metallic cabinets, CFFP are flood proof and can be installed in almost any location. Their compact size compared to large cabinets makes them easier to install and ideally suited to small communities and neighborhoods. Right-of-ways are no longer a concern and the units can be economically placed directly in the ground without the need for an expensive pad. CFFP are available in four sizes with up to 72, 96, 144 and 288 fiber counts, and in both stake-mount and vault-mount configurations. A CFFP Patch & Splice option is available for small hub applications, eliminating the need for a splice closure and grade level box.

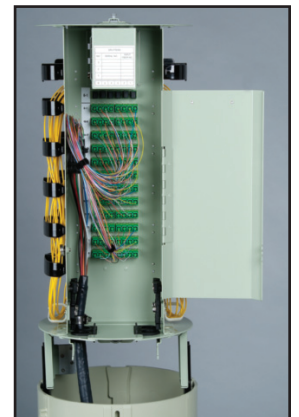


## Product Features

- Non-metallic construction provides superior flood-proof environmental protection
- Direct buried pedestal eliminates the need for expensive pads or concerns for getting right of ways for cabinet placement
- Sizes are configurable with smaller fiber counts to economically optimize fiber hub size for the neighborhood it will serve
- Fiber pass-throughs are available for secure circuits or for the flexibility to extend feed fibers to additional CFFP units for expanding neighborhoods
- Small profile is more aesthetically pleasing than cabinets when placed in residential areas and allows for lower freight and storage costs
- Vault mount and stake mount options allow placement directly on or next to a splicing vault
- Craft-friendly 360° access to internal fiber organization
- Locking cover for back of connectors gives protection while allowing easy access for cleaning without moving the fiber bulkhead
- Organization is optimized with specially designed 3-way bend controls so minimum bend requirements are met no matter how the fibers are routed
- The CFFP is pre-stubbed and tested with feed and distribution cables in the factory
- One splitter module fits all CFFP sizes
- Splitter module outputs are optimally designed for CFFP units. Minimizing leg lengths simplifies fiber housekeeping



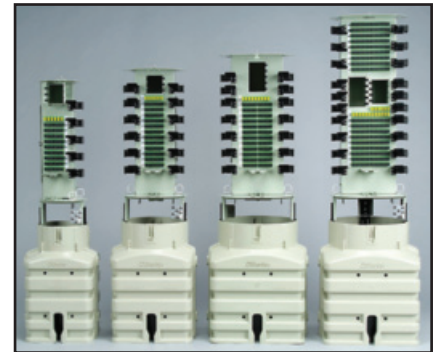
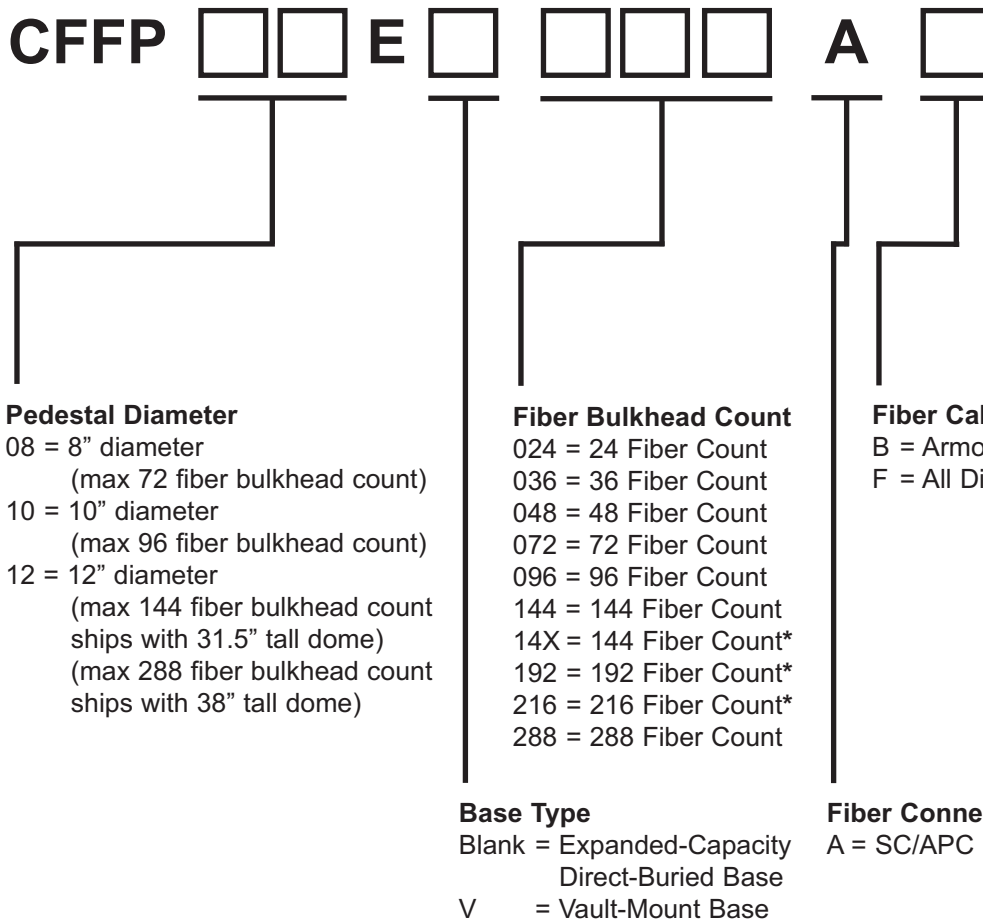
Front view of interconnect panel, splitter storage, and fiber routing



Rear view of interconnect panel with pre-wired distribution and feed cables

# CFFP Pedestals Ordering Information

Use the part number configurator below to specify CFFP options when ordering. For assistance or for information on special configurations, please call 847-806-6300.



\* **Future Expandable to 288 Fibers**

\*\* **Other cable types available as special order**

## SAMPLE PART NUMBERS:

- CFFP08E 072AB = CFFP 8" diameter with Expanded-Capacity Direct Buried Base, 72 Fiber Bulkhead Count, SC/APC Connectors and Armored Loose Tube Cable with 100' Stub
- CFFP08EV072AB = CFFP 8" diameter with Vault-Mount Base, 72 Fiber Bulkhead Count, SC/APC Connectors and Armored Loose Tube Cable with 100' Stub

## NOTE ON MOUNTING HARDWARE:

Optional mounting hardware for expanded-capacity direct-buried bases.

Part #	Description
UMB102 A	Universal Pole Mount Bracket w/hardware
UMS36-STD	36" Metal Mounting Stake w/hardware
UMS42-STD	42" Metal Mounting Stake w/hardware

Vault-mount bases include all necessary hardware for mounting.

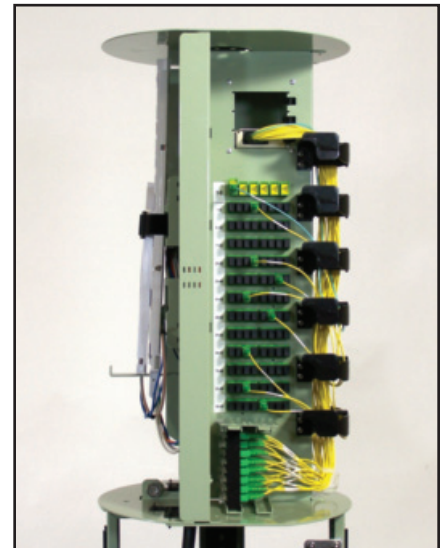
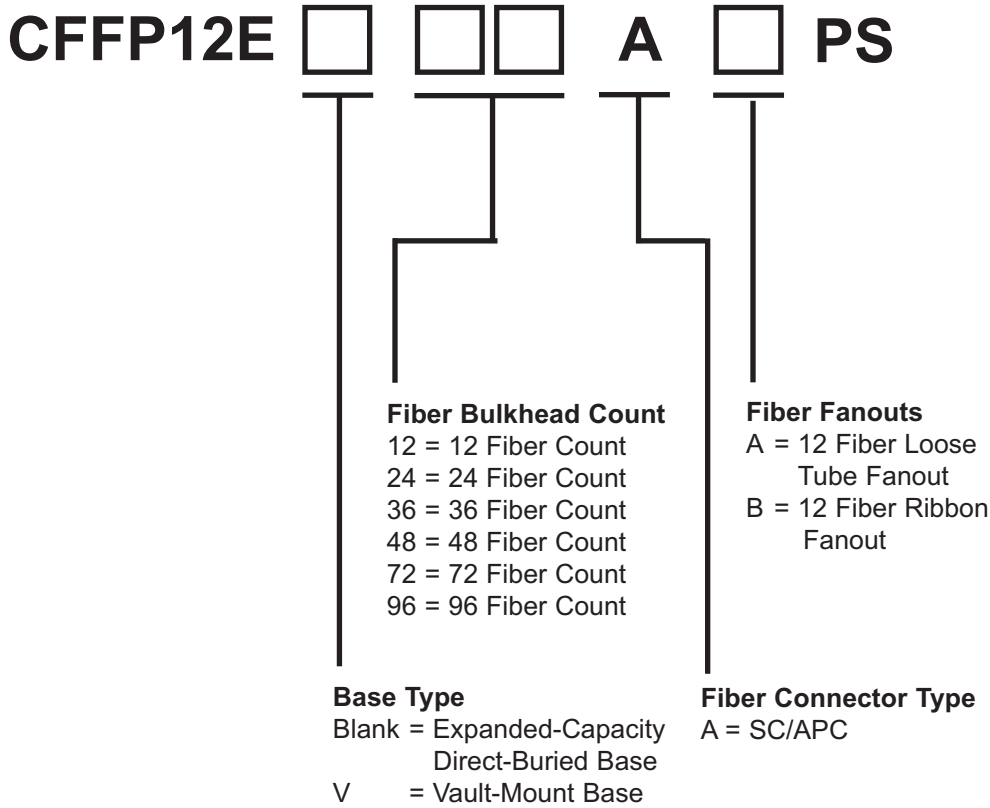
## SPLITTER MODULES:

Part #	Description
CFSM-FP1132AA	1X32 with SC/APC connectors
CFSM-FP2116AA	Dual 1X16 with SC/APC connectors
CFSM-FP1116AA	1X16 with SC/APC connectors

Additional splitter options are available. Please see the Charles Fiber Splitter Modules datasheet at [www.charlesindustries.com](http://www.charlesindustries.com) or contact your Charles Representative for additional information.

# CFFP Patch & Splice Pedestals Ordering Information

Use the part number configurator below to specify CFFP options when ordering. For assistance or for information on special configurations, please call 847-806-6300.



## SAMPLE PART NUMBERS:

- CFFP12E 36AAPS = CFFP Patch & Splice 12" diameter with Expanded-Capacity Direct Buried Base, 36 Fiber Bulkhead Count, SC/APC Connectors and Loose Tube Fanouts
- CFFP12EV96ABPS = CFFP Patch and Splice 12" diameter with Vault-Mount Base, 96 Fiber Bulkhead Count, SC/APC Connectors and Ribbon Fanouts

## NOTE ON MOUNTING HARDWARE:

Optional mounting hardware for expanded-capacity direct-buried bases includes:

Part #	Description
UMB102 A	Universal Pole Mount Bracket w/hardware
UMS36-STD	36" Metal Mounting Stake w/hardware
UMS42-STD	42" Metal Mounting Stake w/hardware

Vault-mount bases include all necessary hardware for mounting.

## SPLITTER MODULES:

Part #	Description
CFSM-FP1132AA	1X32 with SC/APC connectors
CFSM-FP2116AA	Dual 1X16 with SC/APC connectors
CFSM-FP1116AA	1X16 with SC/APC connectors

Additional splitter options are available. Please see the Charles Fiber Splitter Modules datasheet at [www.charlesindustries.com](http://www.charlesindustries.com) or contact your Charles Representative for additional information.

## SPLICE TRAY:

Part #	Description
97-FIBR24TRAY	4"x9" tray, 12/24 fibers per tray

# Product Specifications

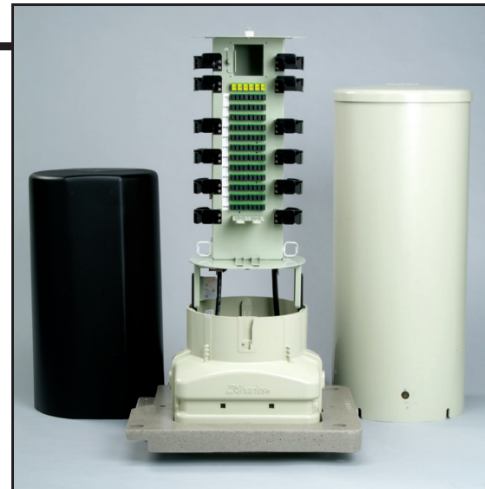
Specifications for standard CFFP Pedestals (excludes Patch & Splice configurations).

	8" Pedestal	10" Pedestal	12" Pedestal (short dome)	12" Pedestal (tall dome)
Capacity:	72 distribution fibers	96 distribution fibers	144 distribution fibers	288 distribution fibers
Connector Types:	SC/APC	SC/APC	SC/APC	SC/APC
Input Fibers:	6 fibers	6 fibers (option for 12)	12 fibers (option for 24)	24 fibers
Cable Types*:	Loose tube, all dielectric or loose tube, armored	Loose tube, all dielectric or loose tube, armored	Loose tube, all dielectric or loose tube, armored	Loose tube, all dielectric or loose tube, armored
Cable Length:	100'	100'	100'	100'
Splitter Module Capacity:	3	3	5	9
Placement Configurations:	Direct buried base including drop channel, channel plug and vapor barrier sheet; Vault mount base including mounting brackets with hardware and moisture pad (add "V" to part number to specify vault mount option)			

\*Call for special configurations.

## Vault Mount Option

Vault-mount options are available for 3rd-party vault lids. See "Ordering Information" sections for details. Vault-mount bases include all necessary hardware for mounting.



Vault-Mount Configuration



INNOVATIVE ENCLOSED SOLUTIONS™

## Dependable Solutions, Superior Support

- Field-proven and unequaled 24-hour technical support
- Individualized application consultation
- Superior quality (ISO 9000/TL 9000 registered)

Visit our website at <http://www.charlesindustries.com>


Charles Industries, Ltd.

Voice: (847) 806-6300

FAX: (847) 806-6231

E-mail: [mktserv@charlesindustries.com](mailto:mktserv@charlesindustries.com)



 is a registered trademark of Charles Industries, Ltd.

D-OSP118-B18