

Charles Below Grade Enclosures

Molded Polyethylene Handholes for Telecommunications, Utility, CATV and Municipality Placements



Charles Below Grade Enclosures (CBGE) are lightweight, molded polyethylene handholes available in seven tapered rectangular and two round sizes. Designed for light duty placements (parkway/greenbelt applications), these sturdy below grade enclosures serve a variety of purposes in telecommunications, wireless, utility, CATV and municipality networks.

Constructed from high-density polyethylene (HDPE), Charles Below Grade Enclosures are built to provide years of maintenance-free service and superior shelter for buried network components. CBGE allow technicians easy handhole access to splice cases, control valves, slack cable, and other equipment at network junctions. Molded-in or applied nameplates offer convenient identification, and several security bolt patterns are available.

Applications

CBGE are designed to meet or exceed ANSI/SCTE ratings for light duty, pedestrian-only (greenbelt) applications, including:

- Fiber optic and copper slack cable coiling and storage
- Access to sealed cases (splice cases, repeaters, load coils, SmartCoils™, etc.)
- Meter boxes
- Irrigation system and other waterway control valves
- Traffic signal controls
- Ground rods



Product Features

- Structurally rugged, non-metallic molded polyethylene material composition produces enclosures that are durable, lightweight, easy to install, and resistant to chemicals and water
- Tapered sides create maximum usable interior space, and allow both rectangular and round enclosures to be nested for compact shipping and storage
- Deep well bottom edges provide long-term stability in below grade placements
- Variety of drop-in or molded-in nameplates are available, with custom nameplates available via special order
- Multiple molded-in colors available - green, gray, and black
- Skid resistant covers improve safety
- Stainless steel bolts
- Integrated EMS detection available
- Made in the USA



P060010



Appx. Dimensions:
06"W x 00"L x 10"D

Cover Weight:

0.25 lb.

Box Weight:

1.0 lbs.

Assembly Weight:

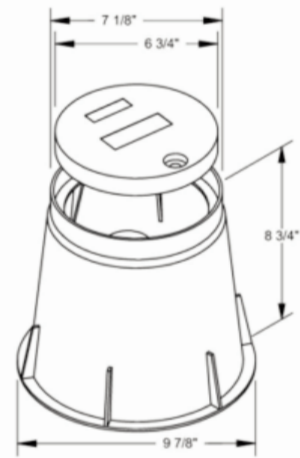
1.25 lbs.

Pallet Quantity:

500

Loaded Pallet Weight:

675 lbs.



P100010



Appx. Dimensions:
10"W x 00"L x 10"D

Cover Weight:

1 lb.

Box Weight:

3 lbs.

Assembly Weight:

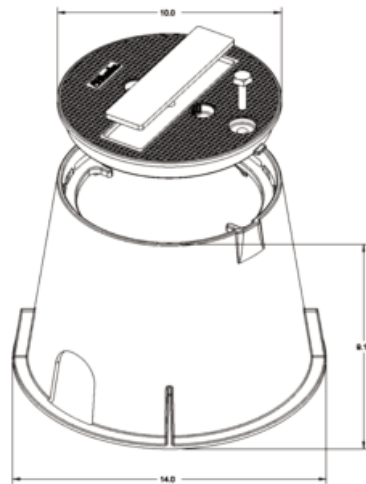
4 lbs.

Pallet Quantity:

100

Loaded Pallet Weight:

450 lbs.



P141912



Appx. Dimensions:
14"W x 19"L x 12"D

Cover Weight:

2 lbs.

Box Weight:

7 lbs.

Assembly Weight:

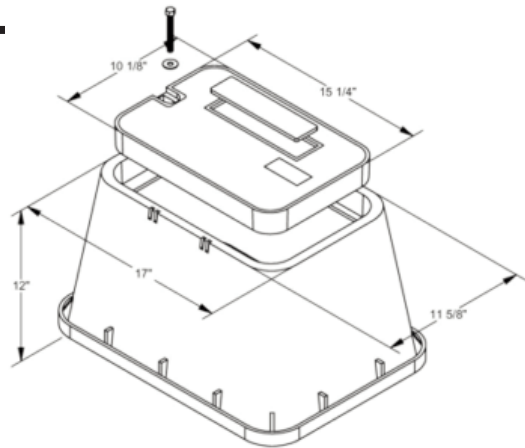
9 lbs.

Pallet Quantity:

100

Loaded Pallet Weight:

950 lbs.



P142015



Appx. Dimensions:
14"W x 20"L x 15"D

Cover Weight:

6 lbs.

Box Weight:

12 lbs.

Assembly Weight:

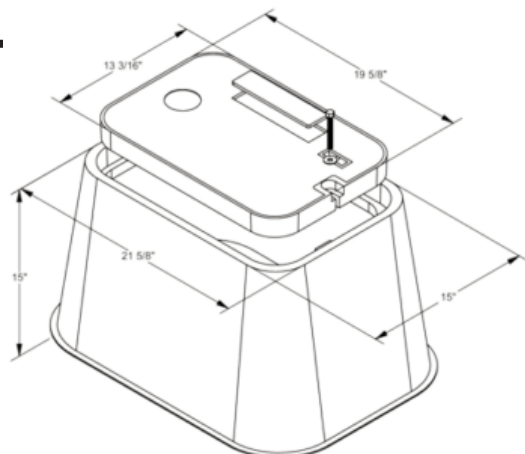
18 lbs.

Pallet Quantity:

100

Loaded Pallet Weight:

1850 lbs.



P132415



Appx. Dimensions:
13"W x 24"L x 15"D

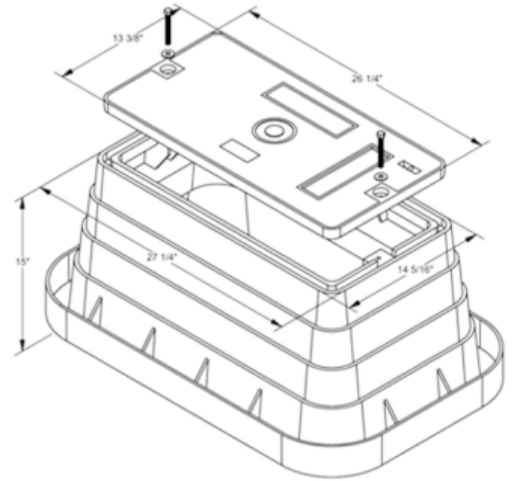
Cover Weight:
5 lbs.

Box Weight:
19 lbs.

Assembly Weight:
25 lbs.

Pallet Quantity:
30

Loaded Pallet Weight:
800 lbs.



P173015



Appx. Dimensions:
17"W x 30"L x 15"D

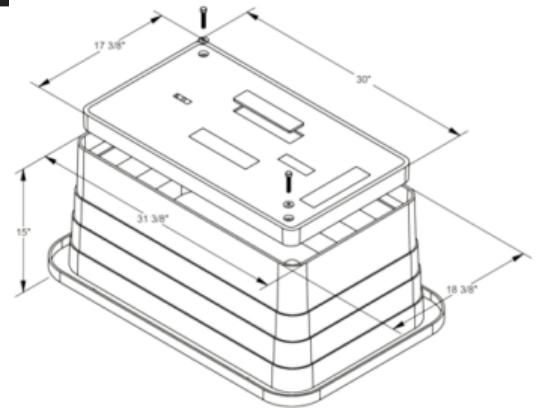
Cover Weight:
11 lbs.

Box Weight:
20 lbs.

Assembly Weight:
31 lbs.

Pallet Quantity:
20

Loaded Pallet Weight:
670 lbs.



P173018



Appx. Dimensions:
17"W x 30"L x 18"D

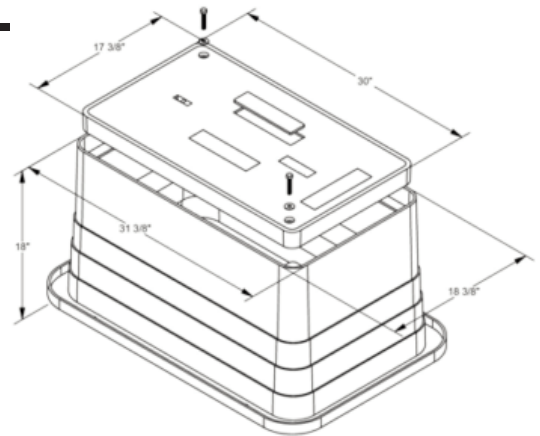
Cover Weight:
10 lbs.

Box Weight:
24 lbs.

Assembly Weight:
35 lbs.

Pallet Quantity:
20

Loaded Pallet Weight:
750 lbs.



P173030



Appx. Dimensions:
17"W x 30"L x 30"D

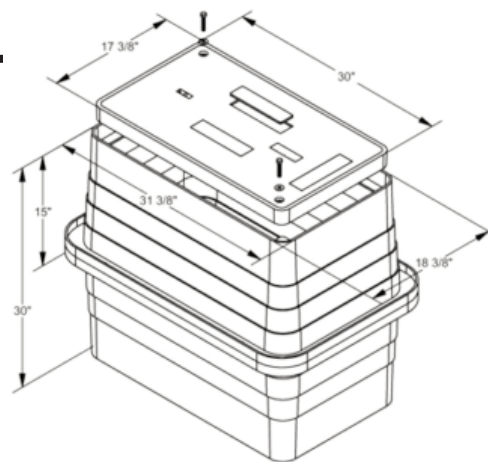
Cover Weight:
11 lbs.

Box Weight:
40 lbs.

Assembly Weight:
51 lbs.

Pallet Quantity:
6

Loaded Pallet Weight:
356 lbs.



P173036

(Not shown - same as P173030 but 6" deeper)

Appx. Dimensions:
17"W x 30"L x 36"D

Cover Weight:
11 lbs.

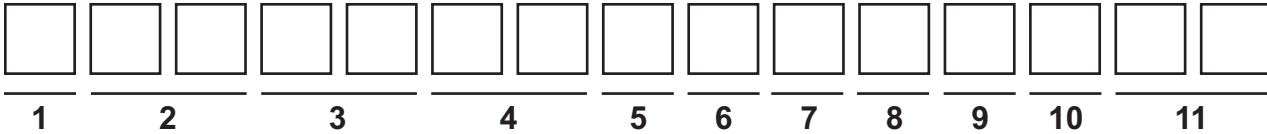
Box Weight:
48 lbs.

Assembly Weight:
59 lbs.

Pallet Quantity:
4

Loaded Pallet Weight:
286 lbs.

Charles Below Grade Enclosures Part # Nomenclature



1 – Product

P = P-Series

2 – Size - Width*

06 = 6 inches
 10 = 10 inches
 13 = 13 inches
 14 = 14 inches
 17 = 17 inches

3 – Size - Length*

19 = 19 inches
 20 = 20 inches
 24 = 24 inches
 30 = 30 inches
 00 = Round

4 – Size - Depth*

10 = 10 inches
 12 = 12 inches
 15 = 15 inches
 18 = 18 inches
 30 = 30 inches
 36 = 36 inches

*For #2-#4, see inside pages for 8 valid size combinations

5 – Type

A = Base/Cover

6 – Base Color

B = Black
 G = Green
 E = Gray

7 – Cover Color

G = Green
 E = Gray

8 – Option**

M = Tapered w/Mouse Hole
 T = Tapered (std.)

**Mouse hole option is only available on 6" and 10" round, and 14"x19"x12" and 14"x20"x15" rectangle sizes.

9 – Bolt Type

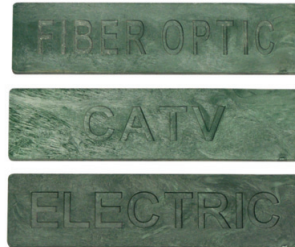
E = Edison Penta-head
 H = Hex-head
 R = REA Penta-head
 X = None

10 – EMS Detection

T = Telephone
 P = Power
 X = None

11 – Name Plate/Customer

CA = CATV
 CU = COMMUNICATIONS
 EL = ELECTRIC
 FO = FIBER OPTIC
 GA = GAS
 GD = GROUND
 LT = LIGHTING
 PW = POWER
 TE = TELEPHONE
 XX = Blank (Filler)
 — = Empty



Name Plate Examples

Charles CBGE are for use in non-vehicular traffic placements only (parkway/greenbelt placements). We do not recommend installation in concrete or asphalt. Dimensions may vary marginally.

Please call (847) 806-6300 for sales assistance and additional product information, including availability of custom options.



INNOVATIVE ENCLOSED SOLUTIONS™



Dependable Solutions, Superior Support

- Field-proven and unequalled 24-hour technical support
- Individualized application consultation
- Superior quality (ISO 9001/TL 9000 registered)

Visit our website at <http://www.charlesindustries.com>

Charles Industries, Ltd. Voice: (847) 806-6300
 Telecommunications Group Fax: (847) 806-6231
 E-mail: mktserv@charlesindustries.com



D-OSP148-C16

is a registered trademark of Charles Industries, Ltd.